

Structure ID: 20-CS-6

P3 MH072RS72

MH RISER T/G

P5) 30" - CASTING HEIGHT - 4" P4) 72" - MH FLAT TOP SPEC. (30" ECC HOLE) F/G - 15" P3) 72" - MH RISER T/G - 72" P2) 72" - MH RISER T/G - 84" P1) 72" - MH BASE T/n - 24" 1) ASSEMBLY REQUIRED 1) CVSTENCILING 3) 72" - Conseal CS-102 1.00" 2) Hole - 44	0 lb 4661 lb 10485 lb 10359 lb 7398 lb 0 lb 0 lb 0 lb 0 lb 0 lb ----- Structure Total: 32902 lb
--	--

Structure Notes:
 4" CASTING BY OTHERS

LIFTING ANCHORS TO BE INSTALLED ON THE OUTSIDE OF THE STRUCTURE

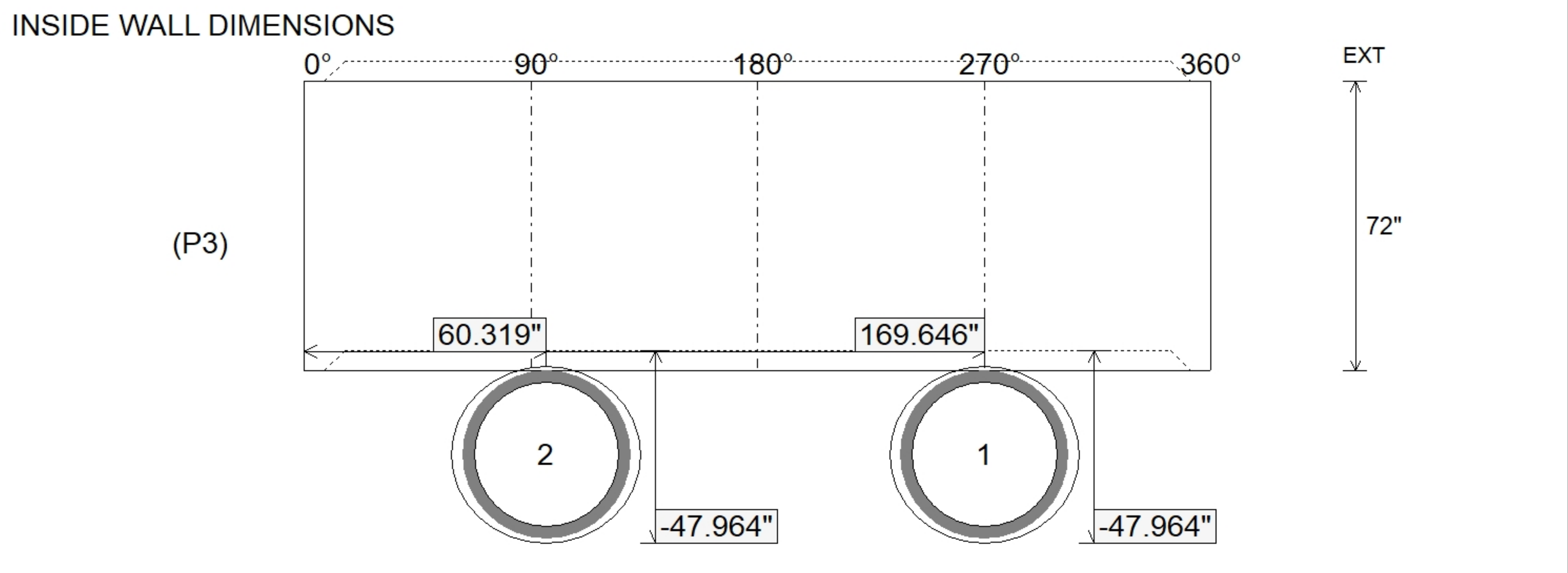
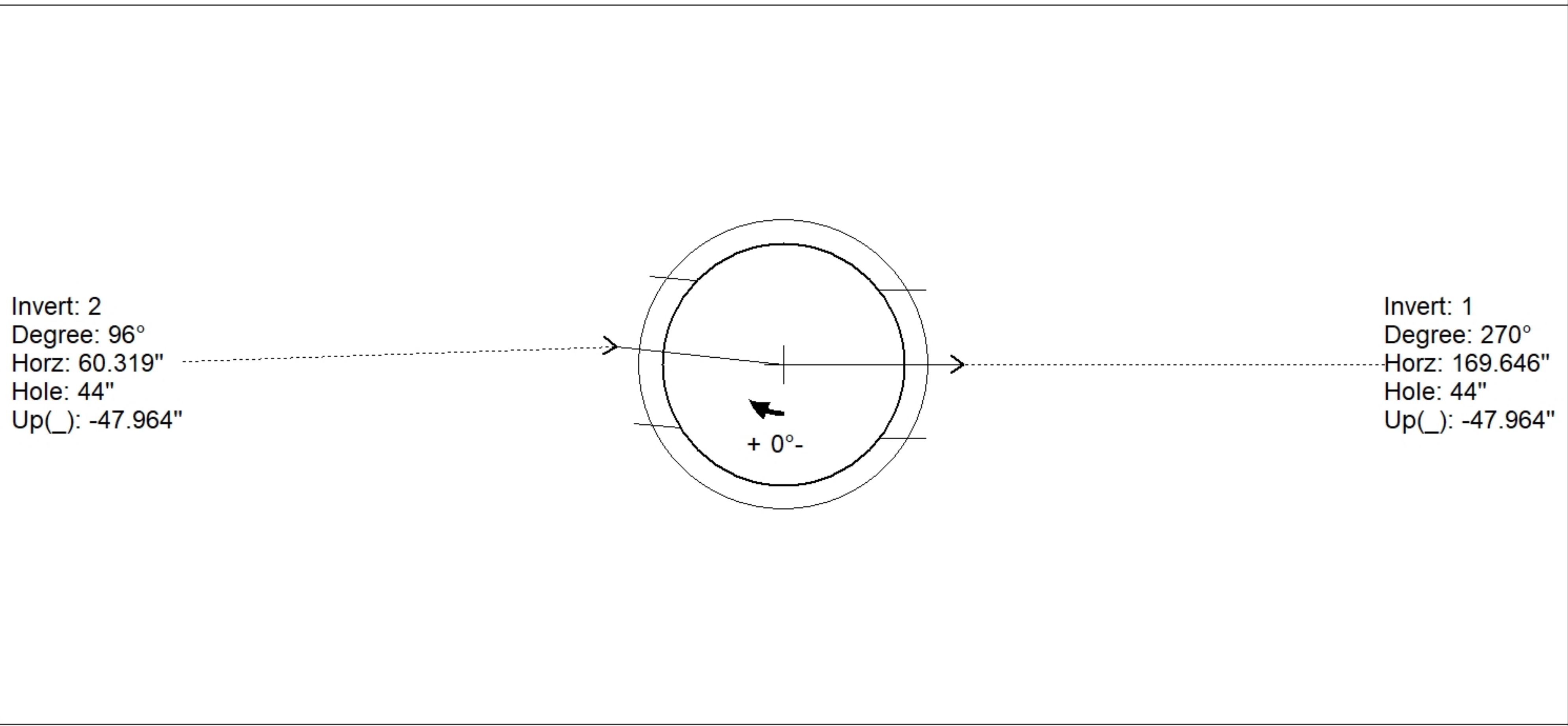
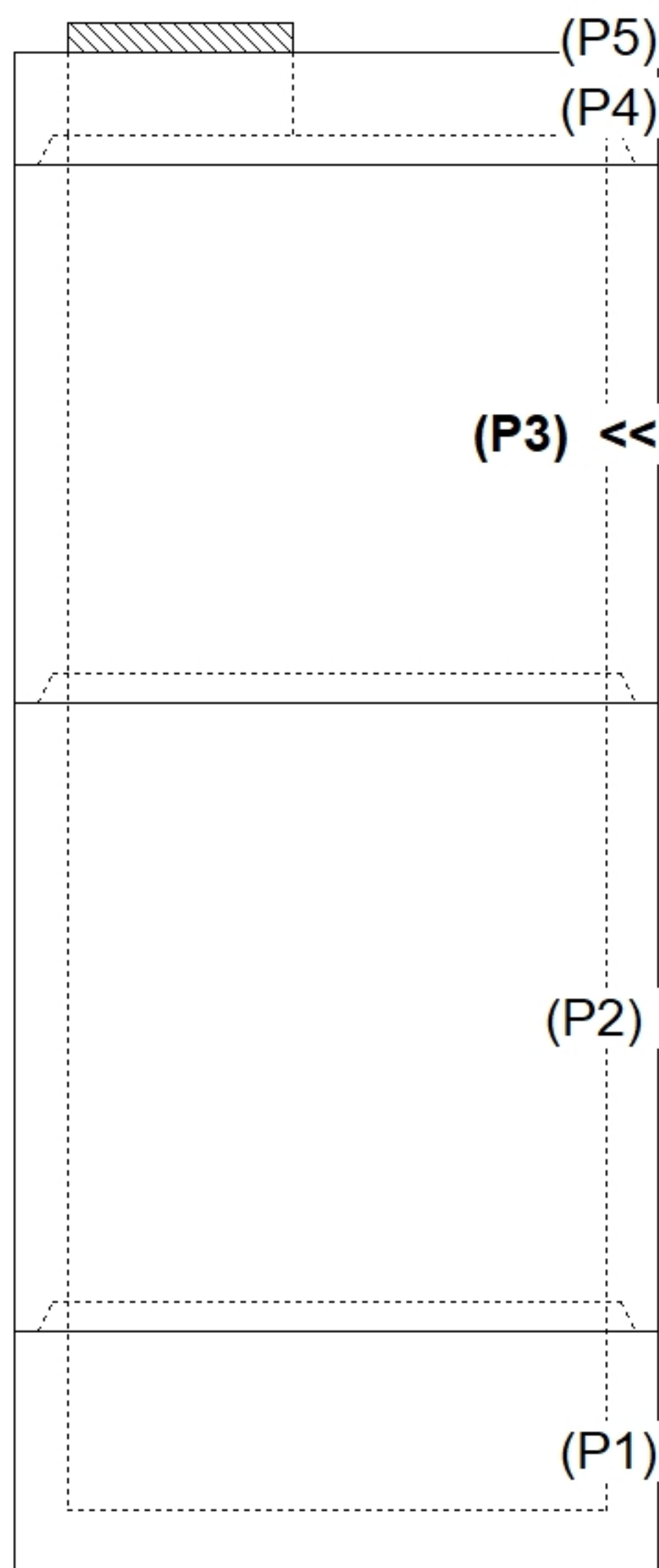
ICAST TO INSTALL THE INTERNALS

CONTECH'S LOGO AS WELL AS THE INLET AND OUTLET MUST BE STENCILED ONTO THE STRUCTURE

Rim: 508.23' Rim to Invert: 11.85' Slack: 12.236" Sump: 69.036" Step Position:

Position	Elev	Angle	Ext. (cw)	Pipe	Pipe OD	Connector	Hole	Horz Size	Up ()	Offset
Invert 1	496.38'	270°	202.633"	36" HDPE	41.7"	Hole 44	44"	47.337"	-47.964"	0"
Invert 2	496.38'	96°	72.047"	36" HDPE	41.7"	Hole 44	44"	47.337"	-47.964"	0"
Invert 3										
Invert 4										
Invert 5										
Invert 6										
Invert 7										
Invert 8										

RIGHT-SIDE UP VIEW (int. dimensions)



Coating (Int):	Seam Up: Tongue Seam Dn: Groove	Wall Thickness: 7" Floor Height: 0"	Height (Int): 72" Height (Ext): 72"	Weight (Net): 10485 lb Volume (Net): 2.68cu.yd
----------------	------------------------------------	--	--	---