

Job Name: 26-1885 869435 Garrison Gardens	Plant: Beaver Dam	Tech: S. Felletter	
Job Location: Bowling Green, KY Contractor: Contech Engineering Solutions	4/20/2026 1:54:15 PM	PC: C. Goff	

Structure ID: 20-CS-6

P1 MH072BA24 MH BASE T/n

P5) 30" - CASTING HEIGHT - 4"	0 lb
P4) 72" - MH FLAT TOP SPEC. (30" ECC HOLE) F/G - 15"	4661 lb
P3) 72" - MH RISER T/G - 72"	10485 lb
P2) 72" - MH RISER T/G - 84"	10359 lb
P1) 72" - MH BASE T/n - 24"	7398 lb
1) ASSEMBLY REQUIRED	0 lb
1) CVSTENCILING	0 lb
3) 72" - Conseal CS-102 1.00"	0 lb
2) Hole - 44	0 lb
Structure Total:	32902 lb

Structure Notes:
 4" CASTING BY OTHERS

 LIFTING ANCHORS TO BE INSTALLED ON THE OUTSIDE OF THE STRUCTURE

 ICAST TO INSTALL THE INTERNALS

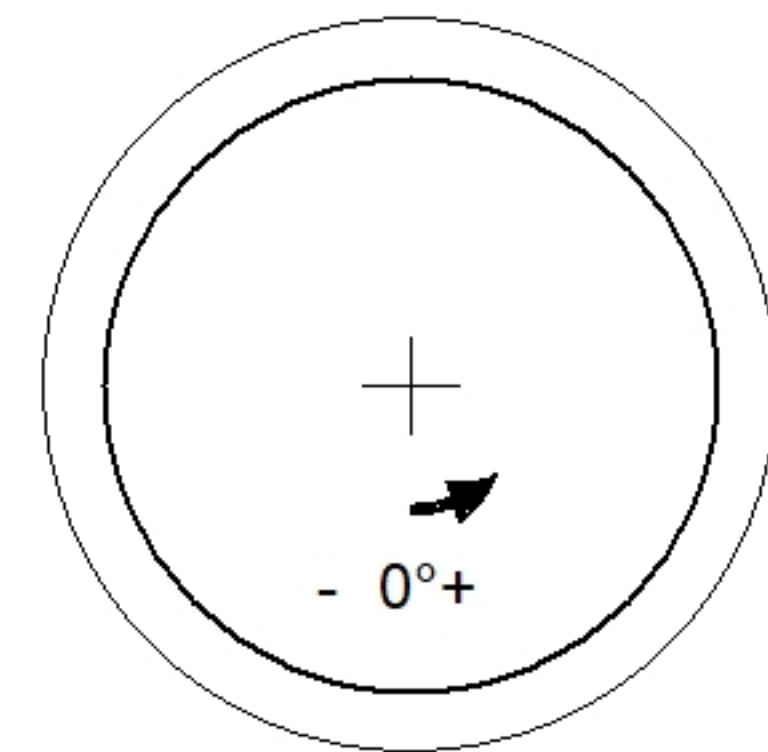
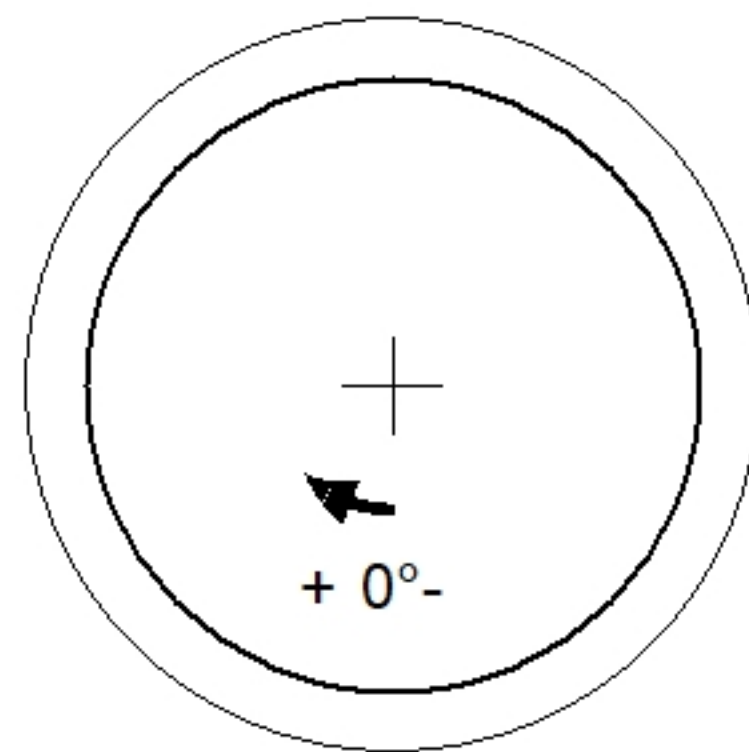
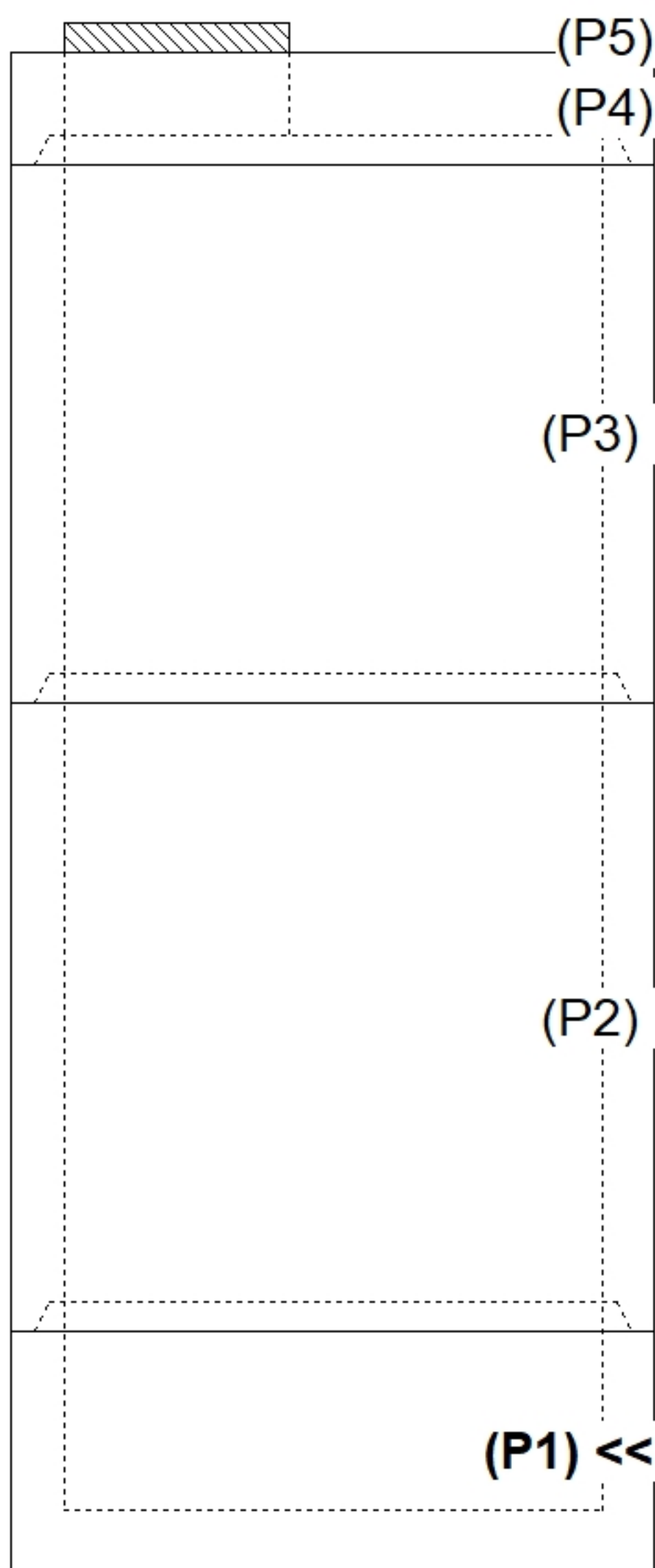
 CONTECH'S LOGO AS WELL AS THE INLET AND OUTLET MUST BE STENCILED ONTO THE STRUCTURE

Rim: 508.23' Rim to Invert: 11.85' Slack: 12.236" Sump: 69.036" Step Position:

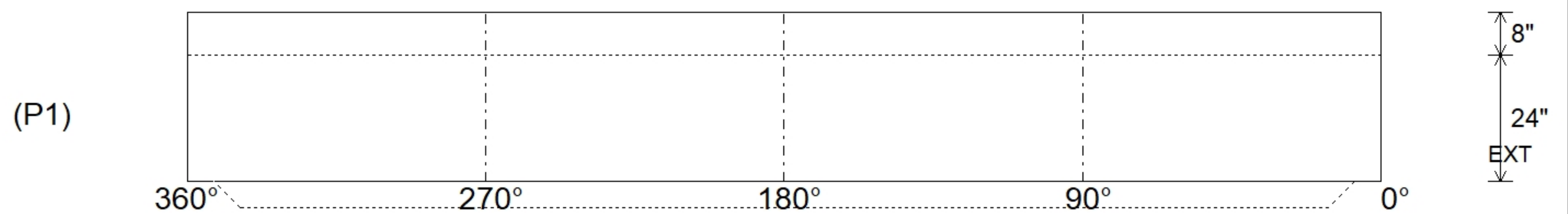
Position	Elev	Angle	Ext. (cw)	Pipe	Pipe OD	Connector	Hole	Horz Size	Up (L)	Offset
Invert 1										
Invert 2										
Invert 3										
Invert 4										
Invert 5										
Invert 6										
Invert 7										
Invert 8										

RIGHT-SIDE UP VIEW (int. dimensions)

UPSIDE-DOWN VIEW (int. dimensions)



INSIDE WALL DIMENSIONS



Coating (Int):	Seam Up: Tongue	Wall Thickness: 7"	Height (Int): 24"	Weight (Net): 7398 lb
Coating (Ext):	Seam Dn: n/a	Floor Height: 8"	Height (Ext): 32"	Volume (Net): 1.89cu.yd