

Structure ID: 15-CS-4

P3 MH048RS60

MH RISER T/G

P5) 30" - CASTING HEIGHT - 4" P4) 48" - MH FLAT LID w/30in ECC Hole F/G - 12" P3) 48" - MH RISER T/G - 60" P2) 48" - MH RISER T/G - 72" P1) 48" - MH BASE T/n - 18" 1) ASSEMBLY REQUIRED 1) CVSTENCILING 3) 48" - Conseal CS-102 1.00" 2) Hole - 32	0 lb 1413 lb 4192 lb 4303 lb 2588 lb 0 lb 0 lb 0 lb 0 lb 0 lb ----- Structure Total: 12496 lb
---	--

Structure Notes:
 4" CASTING BY OTHERS

LIFTING ANCHORS TO BE INSTALLED ON THE OUTSIDE OF THE STRUCTURE

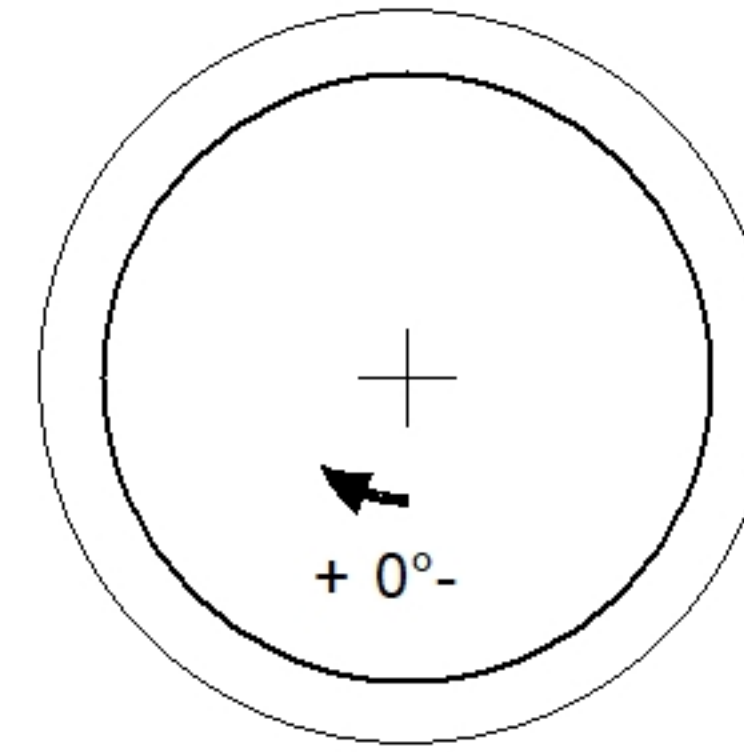
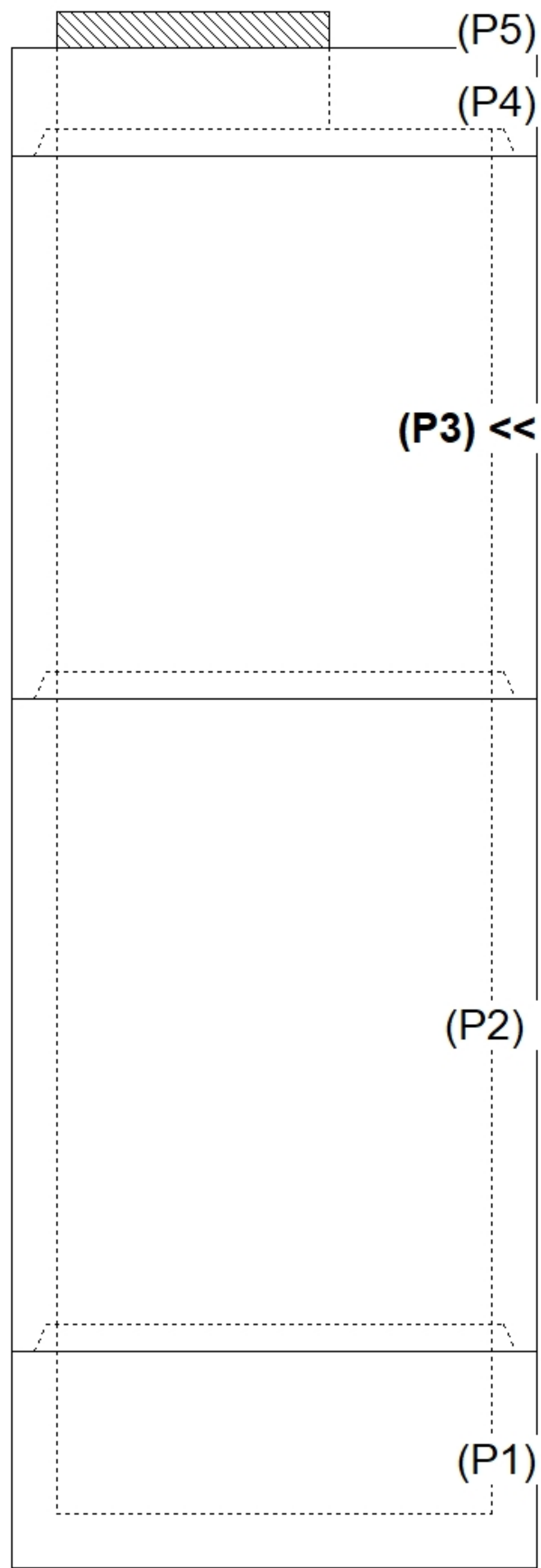
ICAST TO INSTALL THE INTERNALS

CONTECH'S LOGO AS WELL AS THE INLET AND OUTLET MUST BE STENCILED ONTO THE STRUCTURE

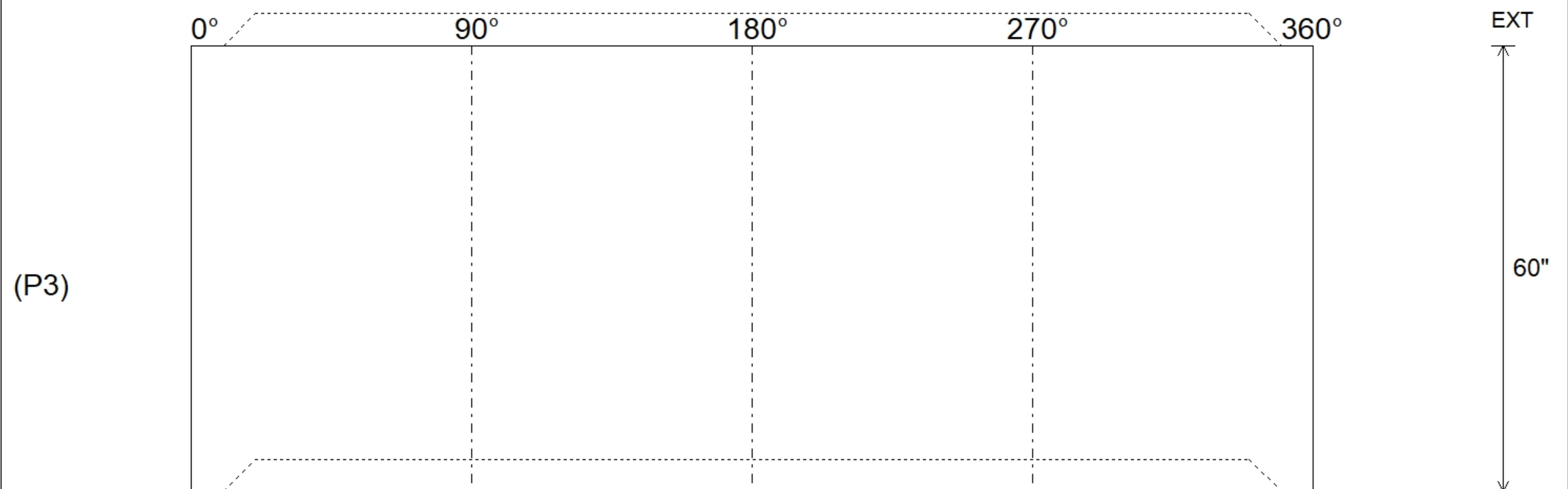
Rim: 507.56' Rim to Invert: 10.11' Slack: 6.32" Sump: 51" Step Position:

Position	Elev	Angle	Ext. (cw)	Pipe	Pipe OD	Connector	Hole	Horz Size	Up (L)	Offset
Invert 1										
Invert 2										
Invert 3										
Invert 4										
Invert 5										
Invert 6										
Invert 7										
Invert 8										

RIGHT-SIDE UP VIEW (int. dimensions)



INSIDE WALL DIMENSIONS



Coating (Int): Coating (Ext):	Seam Up: Tongue Seam Dn: Groove	Wall Thickness: 5" Floor Height: 0"	Height (Int): 60" Height (Ext): 60"	Weight (Net): 4192 lb Volume (Net): 1.07cu.yd
----------------------------------	------------------------------------	--	--	--