

Structure ID: 15-CS-4

P2 MH048RS72

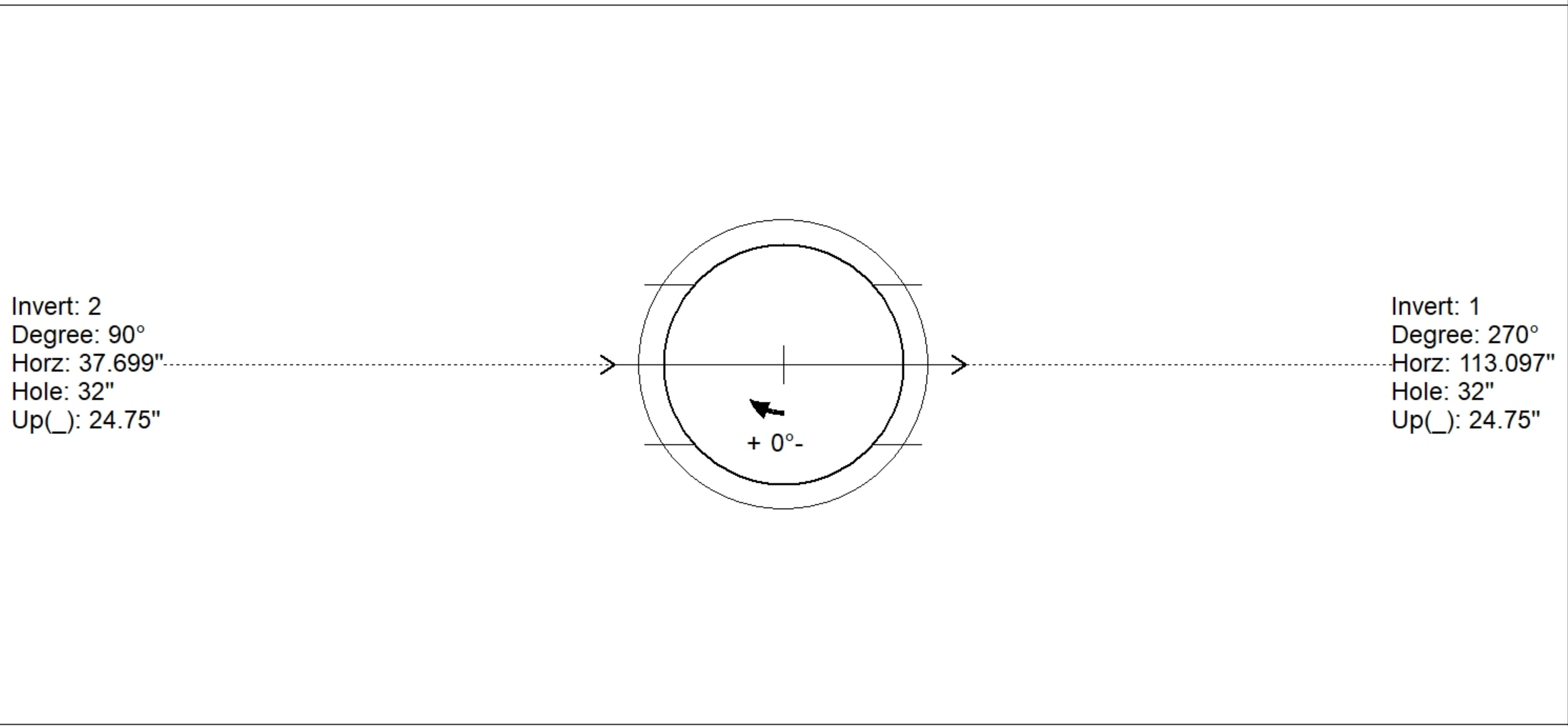
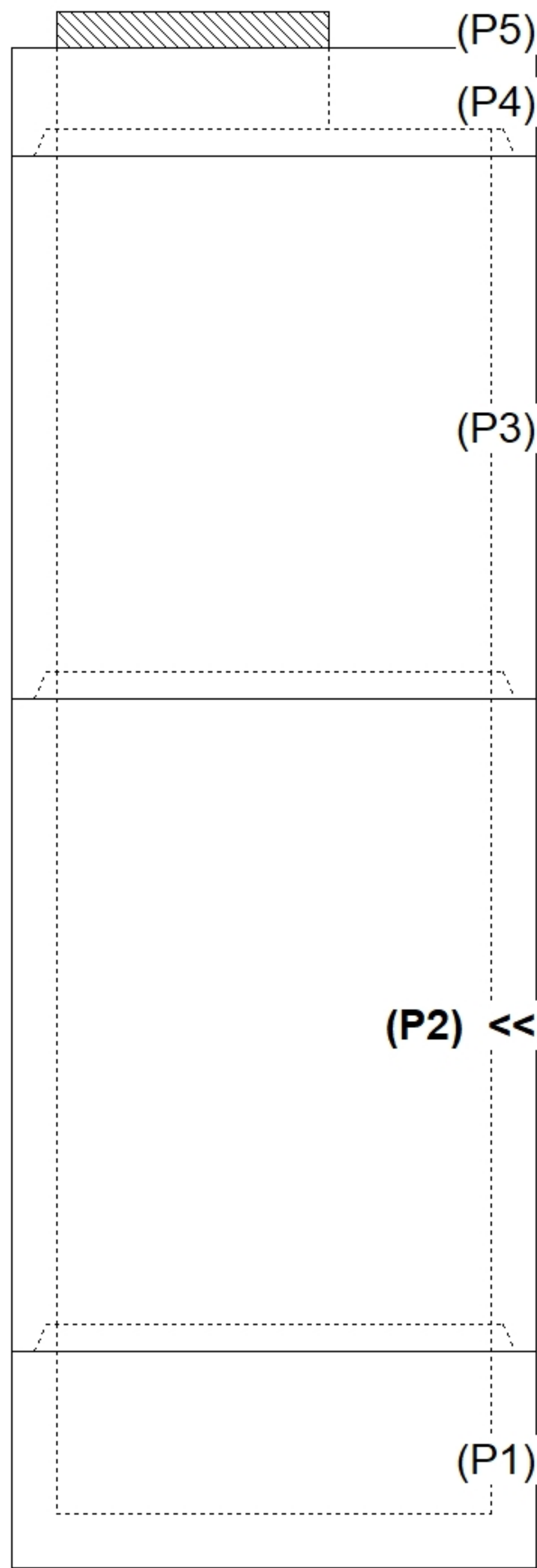
MH RISER T/G

P5) 30" - CASTING HEIGHT - 4" P4) 48" - MH FLAT LID w/30in ECC Hole F/G - 12" P3) 48" - MH RISER T/G - 60" P2) 48" - MH RISER T/G - 72" P1) 48" - MH BASE T/n - 18" 1) ASSEMBLY REQUIRED 1) CVSTENCILING 3) 48" - Conseal CS-102 1.00" 2) Hole - 32	0 lb 1413 lb 4192 lb 4303 lb 2588 lb 0 lb 0 lb 0 lb 0 lb 0 lb ----- Structure Total: 12496 lb	Structure Notes: 4" CASTING BY OTHERS LIFTING ANCHORS TO BE INSTALLED ON THE OUTSIDE OF THE STRUCTURE ICAST TO INSTALL THE INTERNALS CONTECH'S LOGO AS WELL AS THE INLET AND OUTLET MUST BE STENCILED ONTO THE STRUCTURE
---	--	---

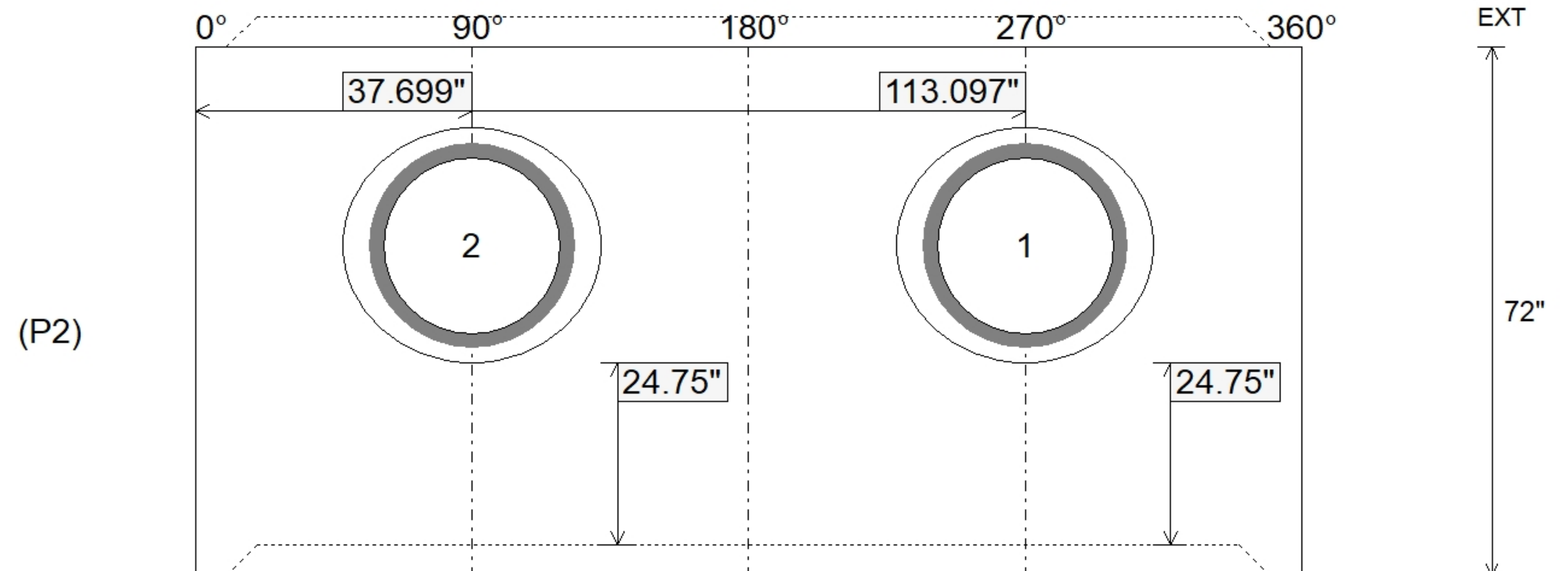
Rim: 507.56' Rim to Invert: 10.11' Slack: 6.32" Sump: 51" Step Position:

Position	Elev	Angle	Ext. (cw)	Pipe	Pipe OD	Connector	Hole	Horz Size	Up ()	Offset
Invert 1	497.45'	270°	136.659"	24" HDPE	27.8"	Hole 32	32"	35.027"	24.75"	0"
Invert 2	497.45'	90°	45.553"	24" HDPE	27.8"	Hole 32	32"	35.027"	24.75"	0"
Invert 3										
Invert 4										
Invert 5										
Invert 6										
Invert 7										
Invert 8										

RIGHT-SIDE UP VIEW (int. dimensions)



INSIDE WALL DIMENSIONS



Coating (Int):	Seam Up: Tongue Seam Dn: Groove	Wall Thickness: 5" Floor Height: 0"	Height (Int): 72" Height (Ext): 72"
Coating (Ext):			Weight (Net): 4303 lb Volume (Net): 1.1cu.yd