

**Job Name: 26-1885 869435 Garrison Gardens**  
**Job Location: Bowling Green, KY**  
**Contractor: Contech Engineering Solutions**

PC: C. Goff  
 TECH: S. Felletter  
 Plant: Beaver Dam



Structure ID: **10-CS-8**  
 Spec: Storm-Pipe Centered  
 Type: STM.MH  
 Size: 96"

Rim: 508.7'  
 Invert: 497.53'  
 Rim to Invert: 11.17'

Sump: 82.044"  
 Floor (Top): 490.693'  
 Floor Height: 13"

Floor (Bot): 489.61'  
 Overall Height: 18.833'  
 Slack: 3.084"

Structure Notes:  
 4" CASTING BY OTHERS

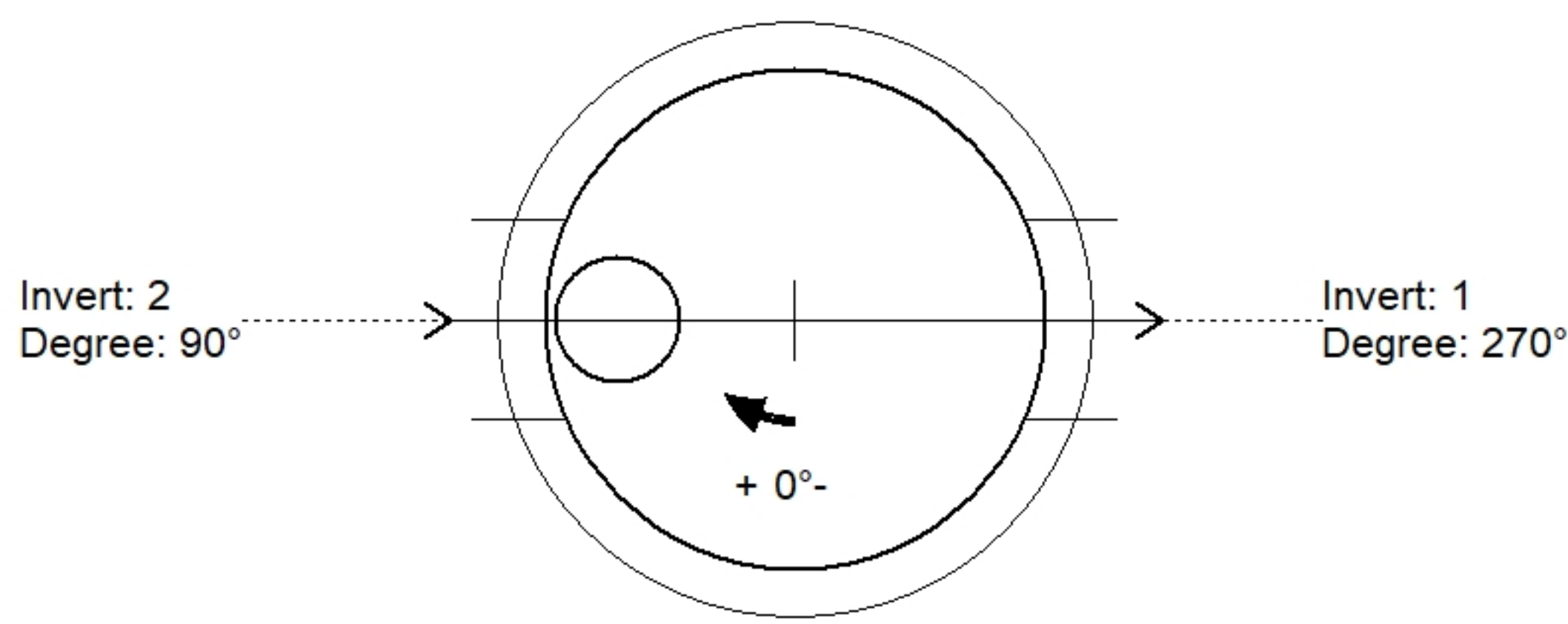
LIFTING ANCHORS TO BE INSTALLED  
 ON THE OUTSIDE OF THE STRUCTURE

ICAST TO INSTALL THE INTERNALS

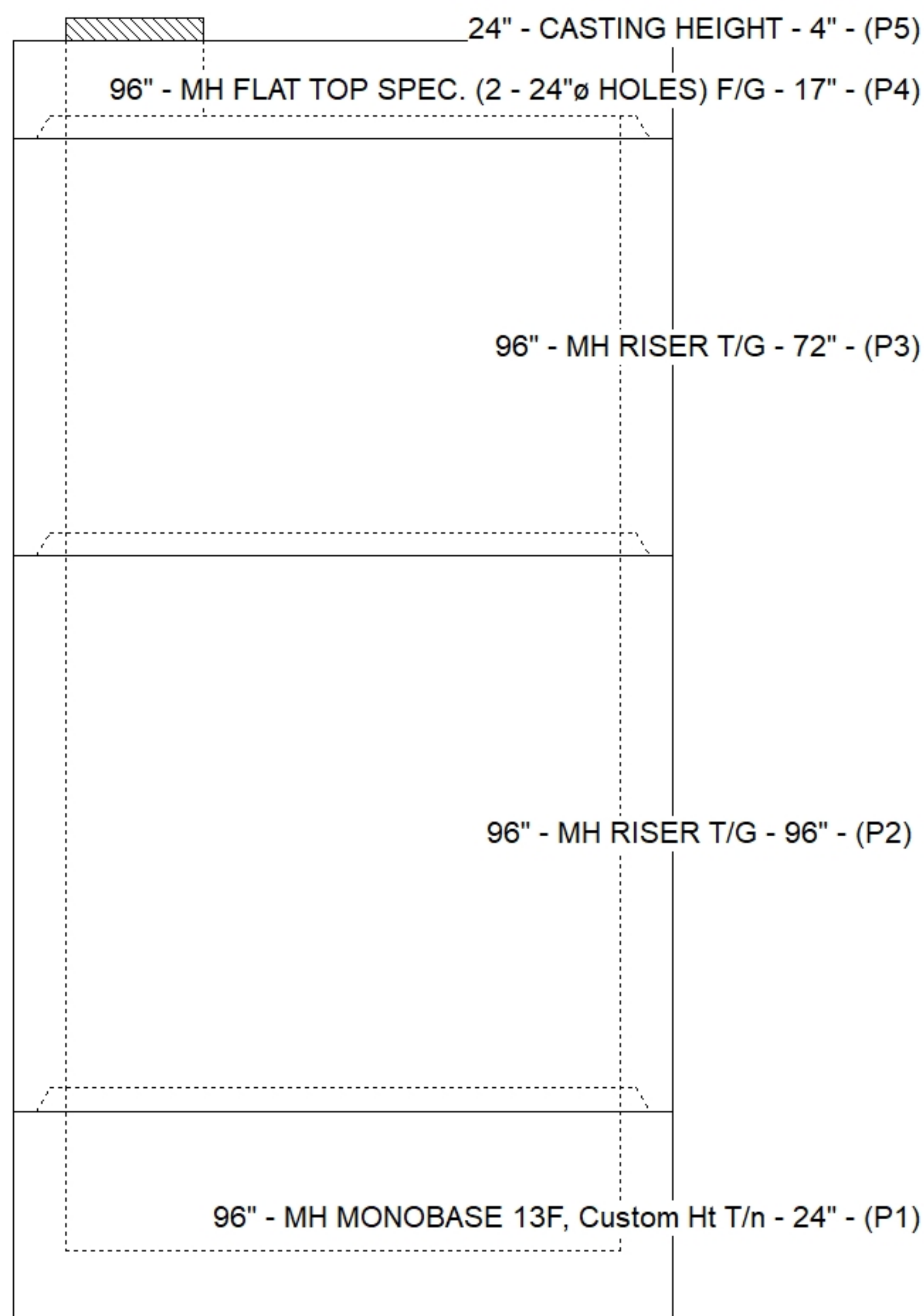
CONTECH'S LOGO AS WELL AS THE  
 INLET AND OUTLET MUST BE  
 STENCILED ONTO THE STRUCTURE

STRUCTURE SUMMARY:

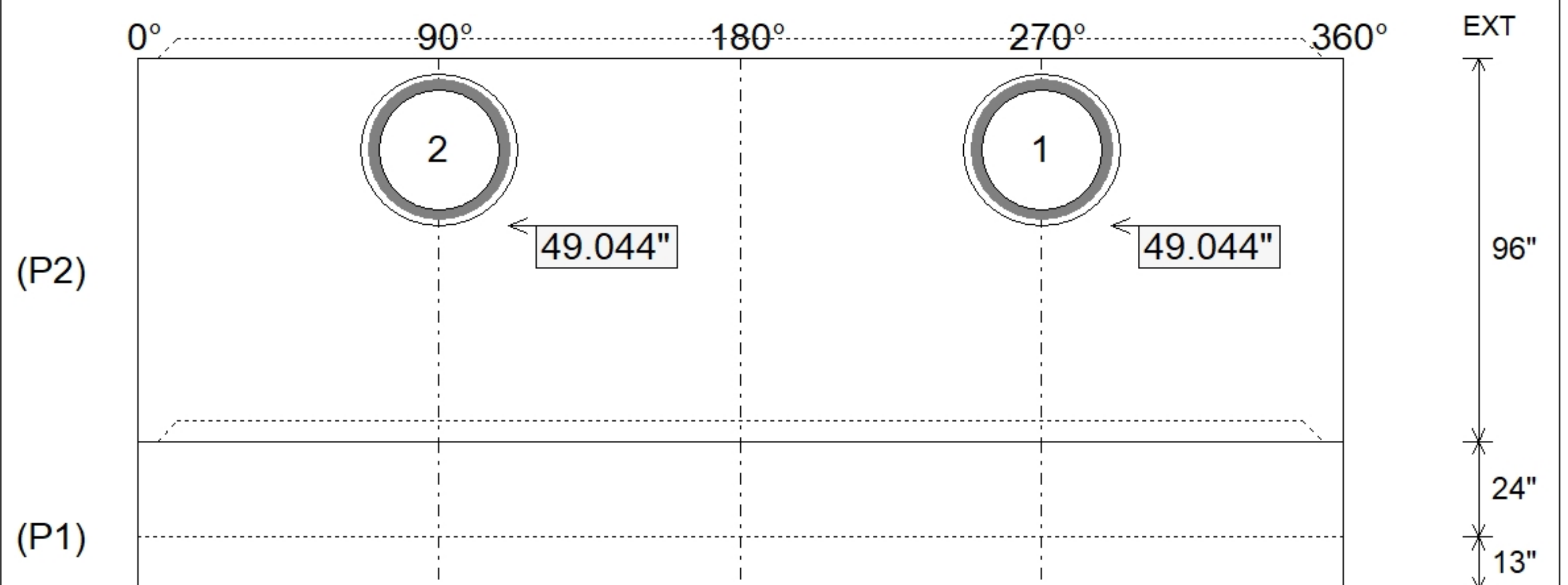
P5) 24" - CASTING HEIGHT - 4"	0 lb
P4) 96" - MH FLAT TOP SPEC. (2 - 24"Ø HOLES) F/G - 17"	10015 lb
P3) 96" - MH RISER T/G - 72"	17937 lb
P2) 96" - MH RISER T/G - 96"	22162 lb
P1) 96" - MH MONOBASE 13F, Custom Ht T/n - 24"	17113 lb
1) ASSEMBLY REQUIRED	0 lb
1) CVSTENCILING	0 lb
3) 96" - Conseal CS-102 1.00"	0 lb
2) Hole - 38	0 lb
	-----
Structure Total:	67226 lb



Position	Elev	Angle	Pipe	Pipe OD	Hole	Connector	Up (')	Ref
Rim	508.7'							
Reducer								
Invert 1	497.53'	270°	30" HDPE	35.1"	38"	Hole 38	49.044"	P2
Invert 2	497.53'	90°	30" HDPE	35.1"	38"	Hole 38	49.044"	P2
Invert 3								
Invert 4								
Invert 5								
Invert 6								
Invert 7								
Invert 8								



Default - Interior Dimensions



Submittal Drawing  
 4/20/2026 1:54:06 PM

SUBMITTAL  
 APPROVED BY: