

Job Name: 26-1885 869435 Garrison Gardens  
 Job Location: Bowling Green, KY  
 Contractor: Contech Engineering Solutions

Plant: Beaver Dam  
 4/20/2026 9:10:38 AM

Tech: S. Felletter  
 PC: C. Goff



**Structure ID: 10-CS-8**

**P4 MH096LD17SP**

**MH FLAT TOP SPEC. (2 - 24"Ø HOLES) F/G**

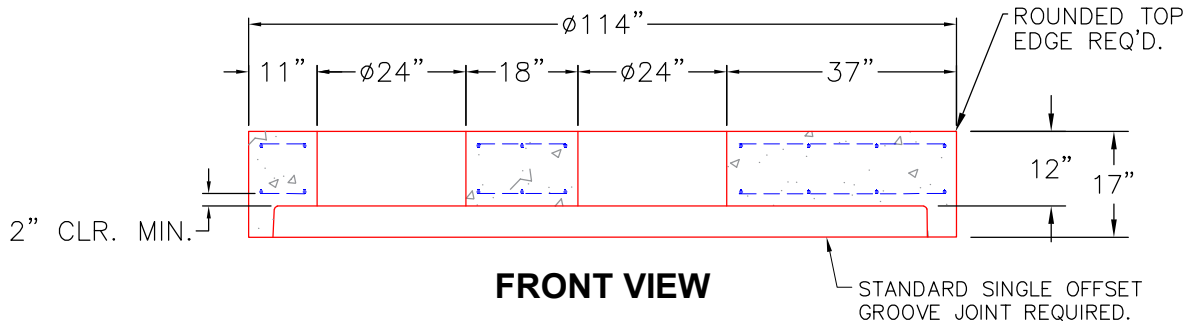
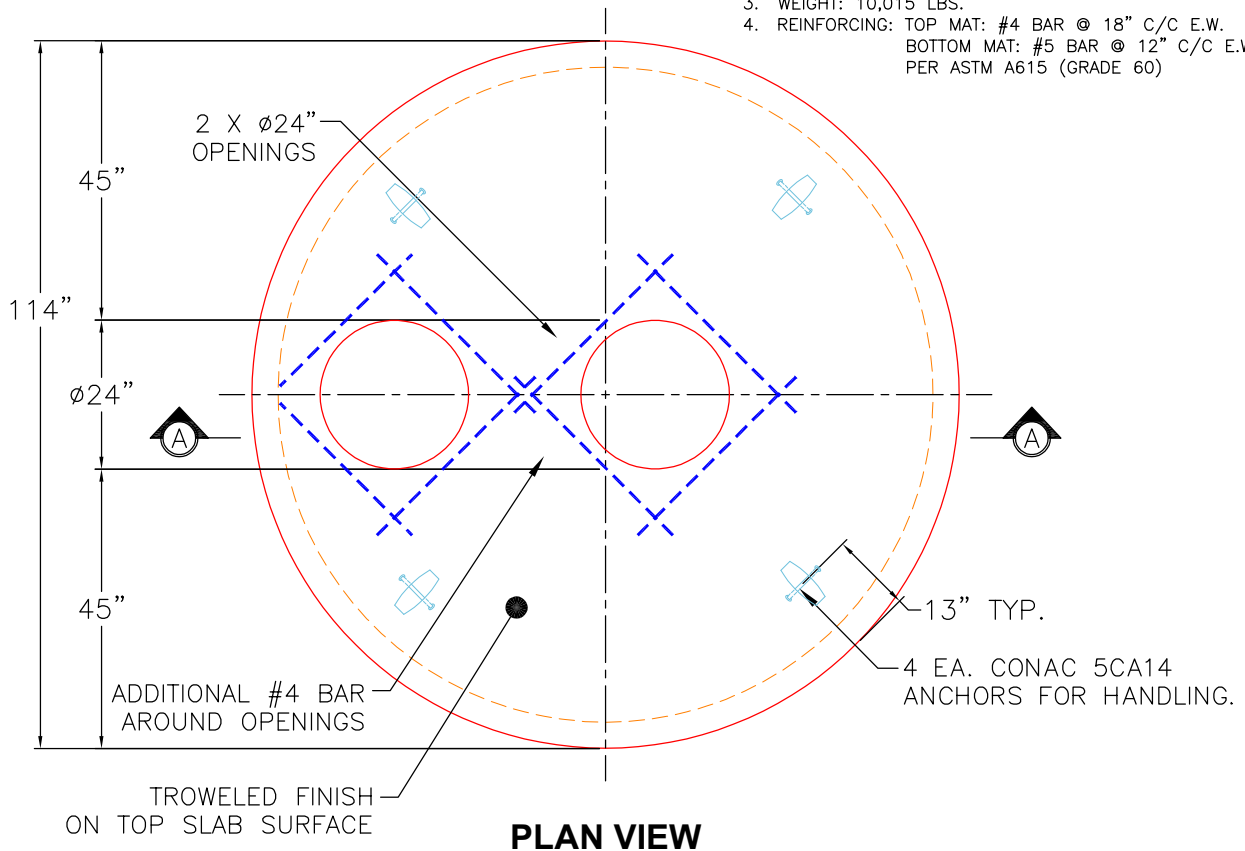
- P5) 24" - CASTING HEIGHT - 4"
- P4) 96" - MH FLAT TOP SPEC. (2 - 24"Ø HOLES) F/G - 17"
- P3) 96" - MH RISER T/G - 72"
- P2) 96" - MH RISER T/G - 96"
- P1) 96" - MH MONOBASE 13F, Custom Ht T/n - 24"
- 1) ASSEMBLY REQUIRED
- 1) CVSTENCILING
- 3) 96" - Conseal CS-102 1.00"
- 2) Hole - 38

0 lb  
 10015 lb  
 17937 lb  
 22162 lb  
 17113 lb  
 0 lb  
 0 lb  
 0 lb  
 0 lb  
 0 lb  
 Structure Total: 67226 lb

Structure Notes:  
 4" CASTING BY OTHERS  
  
 LIFTING ANCHORS TO BE INSTALLED  
 ON THE OUTSIDE OF THE STRUCTURE  
  
 ICAST TO INSTALL THE INTERNALS  
  
 CONTECH'S LOGO AS WELL AS THE  
 INLET AND OUTLET MUST BE  
 STENCILED ONTO THE STRUCTURE

GENERAL NOTES:

1. MANUFACTURED TO ASTM C-478 (LATEST REVISION).
2. CONCRETE 5,000 PSI AT 28 DAYS.
3. WEIGHT: 10,015 LBS.
4. REINFORCING: TOP MAT: #4 BAR @ 18" C/C E.W.  
 BOTTOM MAT: #5 BAR @ 12" C/C E.W.  
 PER ASTM A615 (GRADE 60)



Coating (Int):  
 Coating (Ext):

Seam Up: Flat  
 Seam Dn: Groove

Wall Thickness: 9"

Height (Ext): 17"

Weight (Net): 10015 lb  
 Volume (Net): 2.56cu.yd