

Structure ID: 10-CS-8

P2 MH096RS96

MH RISER T/G

P5) 24" - CASTING HEIGHT - 4" P4) 96" - MH FLAT TOP SPEC. (2 - 24"Ø HOLES) F/G - 17" P3) 96" - MH RISER T/G - 72" P2) 96" - MH RISER T/G - 96" P1) 96" - MH MONOBASE 13F, Custom Ht T/n - 24" 1) ASSEMBLY REQUIRED 1) CVSTENCILING 3) 96" - Conseal CS-102 1.00" 2) Hole - 38	0 lb 10015 lb 17937 lb 22162 lb 17113 lb 0 lb 0 lb 0 lb 0 lb ----- 67226 lb
Structure Total: 67226 lb	

Structure Notes:
 4" CASTING BY OTHERS

 LIFTING ANCHORS TO BE INSTALLED ON THE OUTSIDE OF THE STRUCTURE

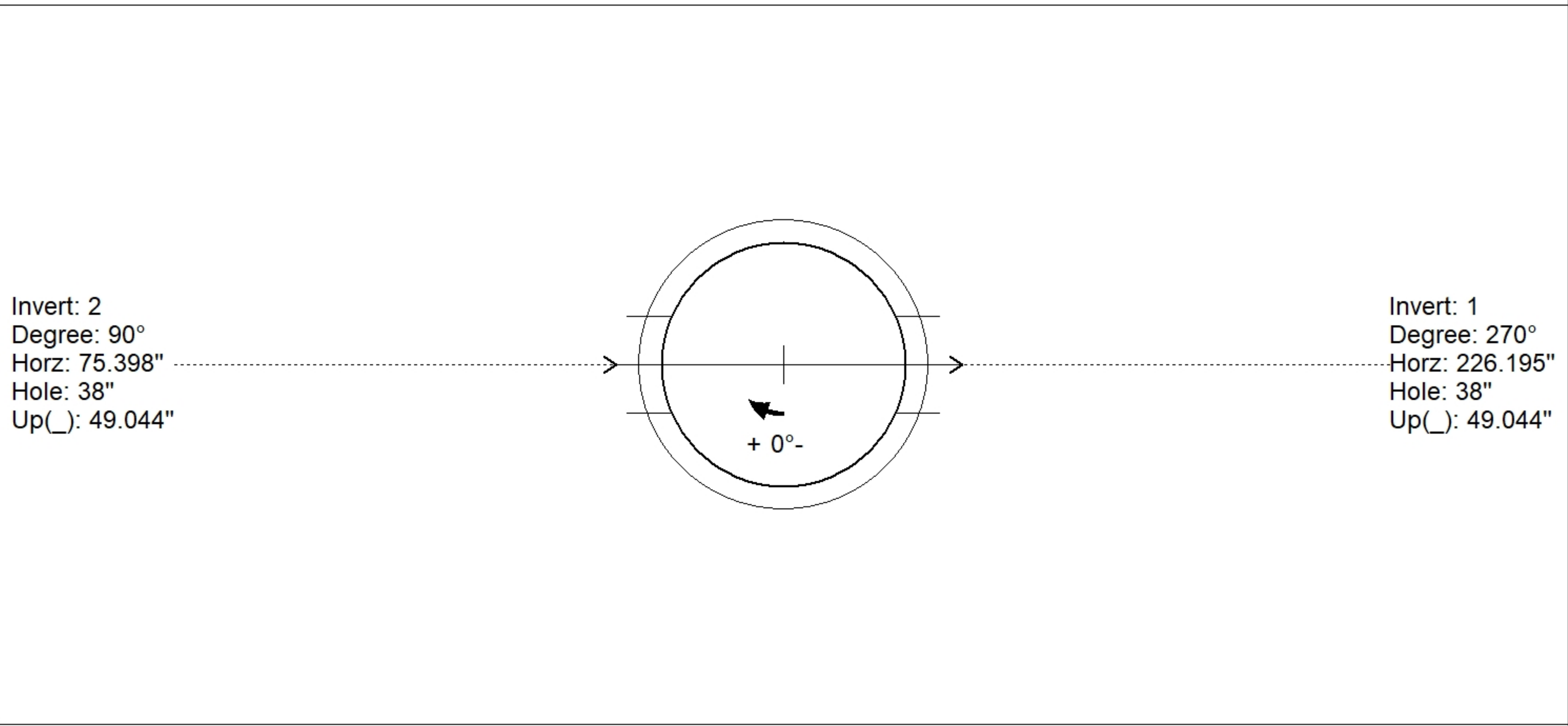
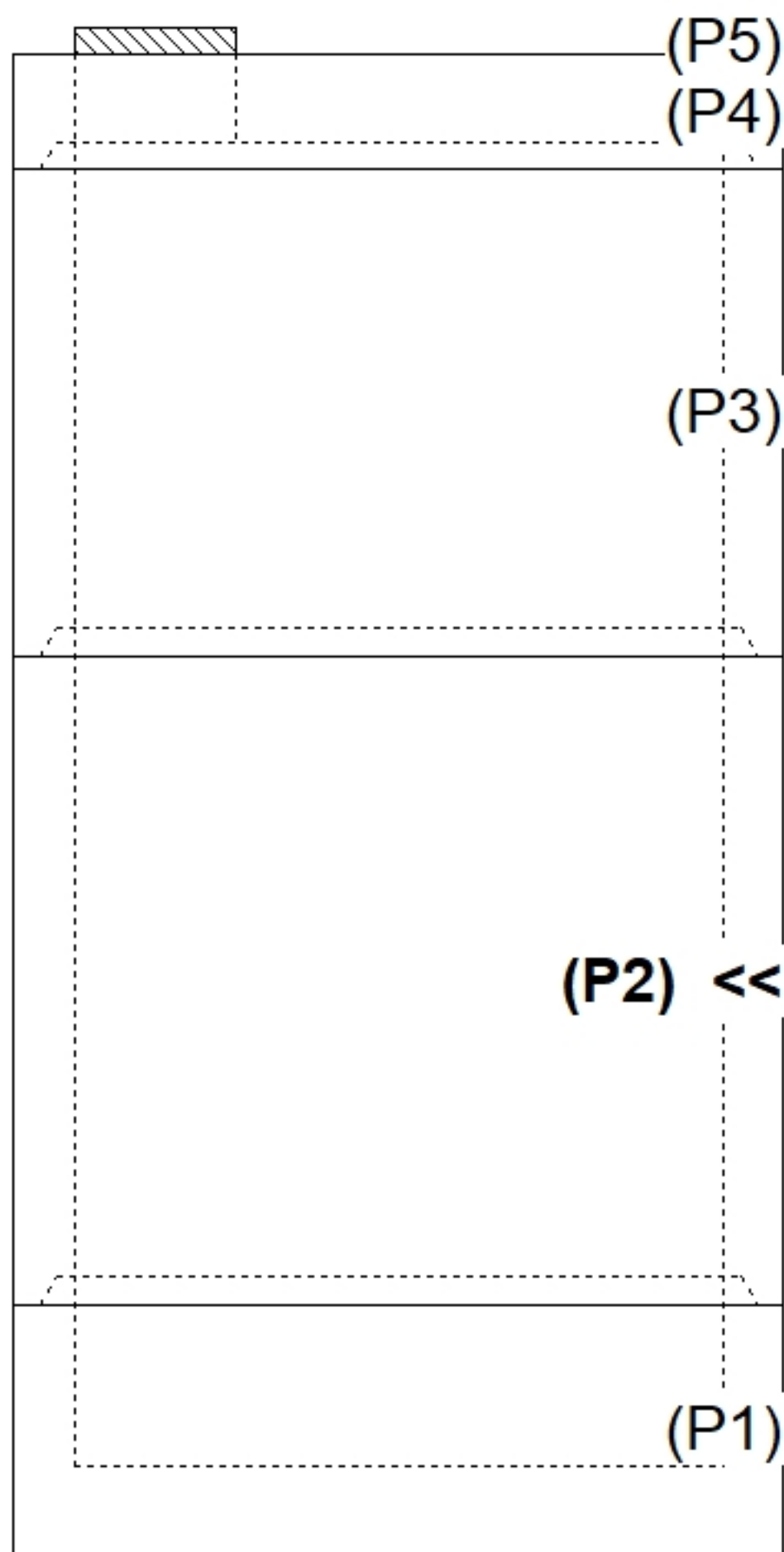
 ICAST TO INSTALL THE INTERNALS

 CONTECH'S LOGO AS WELL AS THE INLET AND OUTLET MUST BE STENCILED ONTO THE STRUCTURE

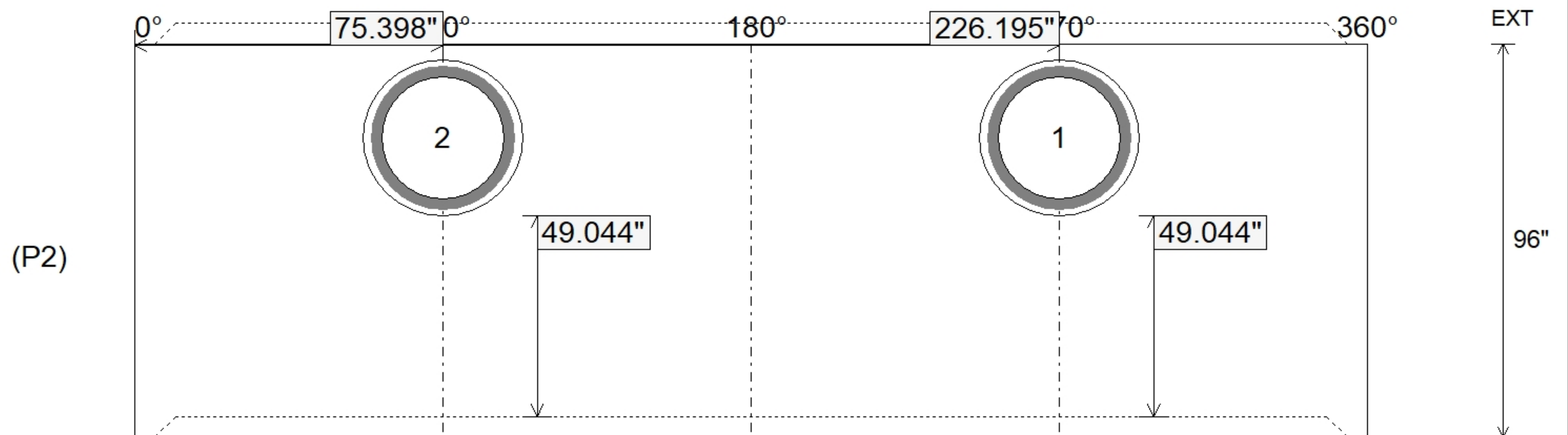
Rim: 508.7' Rim to Invert: 11.17' Slack: 3.084" Sump: 82.044" Step Position:

Position	Elev	Angle	Ext. (cw)	Pipe	Pipe OD	Connector	Hole	Horz Size	Up ()	Offset
Invert 1	497.53'	270°	268.606"	30" HDPE	35.1"	Hole 38	38"	39.07"	49.044"	0"
Invert 2	497.53'	90°	89.535"	30" HDPE	35.1"	Hole 38	38"	39.07"	49.044"	0"
Invert 3										
Invert 4										
Invert 5										
Invert 6										
Invert 7										
Invert 8										

RIGHT-SIDE UP VIEW (int. dimensions)



INSIDE WALL DIMENSIONS



Coating (Int):	Seam Up: Tongue Seam Dn: Groove	Wall Thickness: 9" Floor Height: 0"	Height (Int): 96" Height (Ext): 96"
Coating (Ext):			Weight (Net): 22162 lb Volume (Net): 5.66cu.yd