

Job Name: 26-1882 - Fork River Commons
Job Location: Millington, TN
Contractor: Woods Constructions Services, Inc.

PC: T. Lewis
 TECH: Jared - A
 Plant: 100



Structure ID: **MH-5 ST-MH**

Spec: Storm
 Type: STM.MH
 Size: 48"

Rim: 283.61'
 Invert: 275.13'
 Rim to Invert: 8.48'

Sump: 1.9"
 Floor (Top): 274.972'
 Floor Height: 8"

Floor (Bot): 274.305'
 Overall Height: 9.25'
 Slack: 0.66"

Structure Notes:

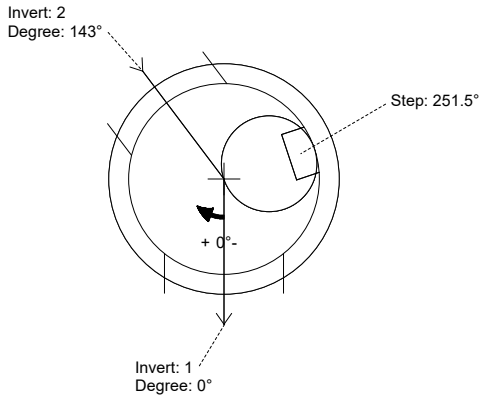
1. PER ASTM C-478 SPECIFICATIONS
2. CONCRETE: 4,000 PSI AT 28 DAYS
3. REINFORCEMENT: PER ASTM A615
4. NO STORM INVERT
5. STEPS AT 251.5 DEGREES
6. JBS 1020 FRAME & COVER "DRAIN" SUPPLIED BY ICAST

STRUCTURE SUMMARY:

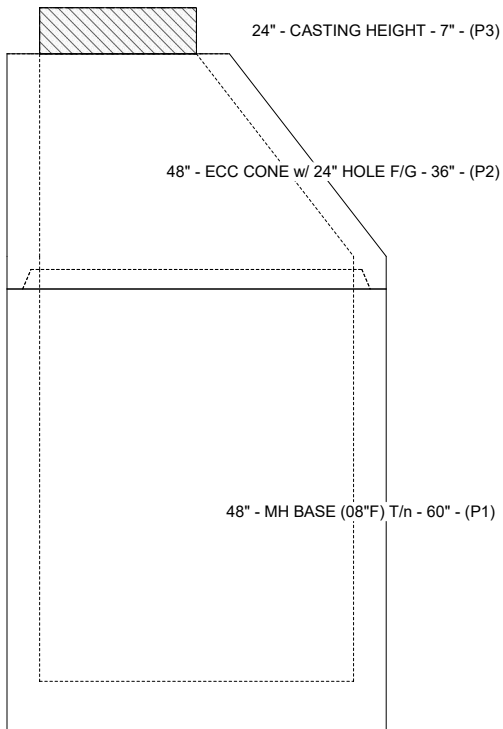
- P3) 24" - CASTING HEIGHT - 7"
- P2) 48" - ECC CONE w/ 24" HOLE F/G - 36"
- P1) 48" - MH BASE (08"F) T/n - 60"
- 1) CASTING - JBS 1020 F/C DRAIN
- 1) 48" - Conseal CS-102 1.00"
- 2) Hole - 30
- 8) MH Step ML-10-TDS-NCR - 10"

0 lb
 3000 lb
 5333 lb
 250 lb
 0 lb
 0 lb
 0 lb

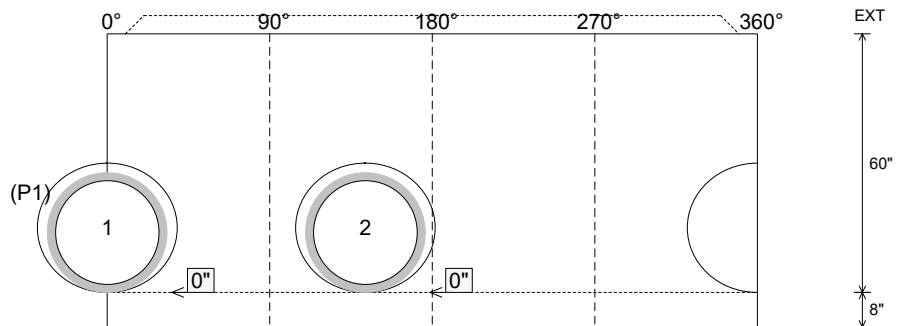
Structure Total: 8583 lb



Position	Elev	Angle	Pipe	Pipe OD	Hole	Connector	Up ()	Ref
Rim	283.61'							
Reducer								
Invert 1	275.13'	0°	24" HDPE	27.8"	30"	Hole 30	0"	P1
Invert 2	275.13'	143°	24" HDPE	27.8"	30"	Hole 30	0"	P1
Invert 3								
Invert 4								
Invert 5								
Invert 6								
Invert 7								
Invert 8								



Cast (Int. Dim.) - Interior Dimensions



Submittal Drawing
 4/30/2026 12:24:20 PM

SUBMITTAL
 APPROVED BY: