

**Job Name: 26-1882 - Fork River Commons**  
**Job Location: Millington, TN**  
**Contractor: Woods Constructions Services, Inc.**

PC: T. Lewis  
 TECH: Jared - A  
 Plant: 100



Structure ID: **MH-3 ST-MH**

Spec: Storm  
 Type: STM.MH  
 Size: 48"

Rim: 283.61'  
 Invert: 273.91'  
 Rim to Invert: 9.7'

Sump: 1.9"  
 Floor (Top): 273.752'  
 Floor Height: 8"

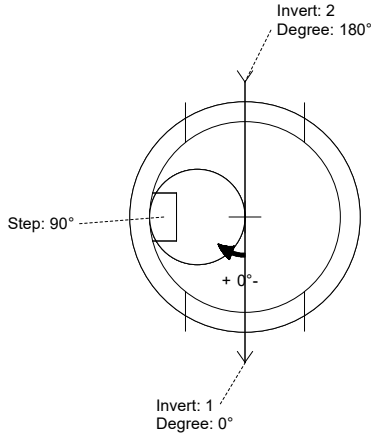
Floor (Bot): 273.085'  
 Overall Height: 10.417'  
 Slack: 1.3"

**Structure Notes:**

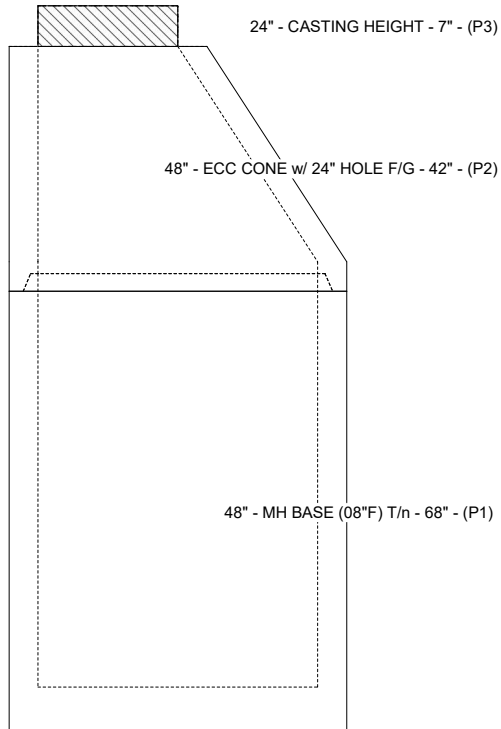
1. PER ASTM C-478 SPECIFICATIONS
2. CONCRETE: 4,000 PSI AT 28 DAYS
3. REINFORCEMENT: PER ASTM A615
4. NO STORM INVERT
5. STEPS AT 90 DEGREES
6. JBS 1020 FRAME & COVER "DRAIN" SUPPLIED BY ICAST

**STRUCTURE SUMMARY:**

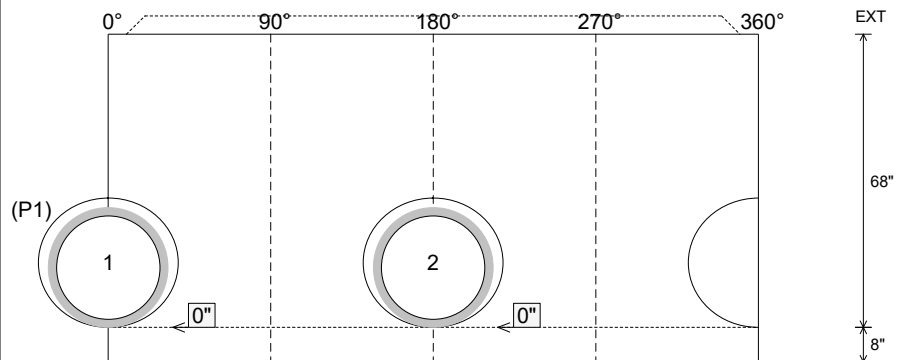
P3) 24" - CASTING HEIGHT - 7"	0 lb
P2) 48" - ECC CONE w/ 24" HOLE F/G - 42"	3200 lb
P1) 48" - MH BASE (08"F) T/n - 68"	5892 lb
1) CASTING - JBS 1020 F/C DRAIN	250 lb
1) 48" - Conseal CS-102 1.00"	0 lb
2) Hole - 30	0 lb
10) MH Step ML-10-TDS-NCR - 10"	0 lb
	-----
Structure Total:	9342 lb



Position	Elev	Angle	Pipe	Pipe OD	Hole	Connector	Up ( )	Ref
Rim	283.61'							
Reducer								
Invert 1	273.91'	0°	24" HDPE	27.8"	30"	Hole 30	0"	P1
Invert 2	273.91'	180°	24" HDPE	27.8"	30"	Hole 30	0"	P1
Invert 3								
Invert 4								
Invert 5								
Invert 6								
Invert 7								
Invert 8								



**Cast (Int. Dim.) - Interior Dimensions**



Submittal Drawing  
 4/30/2026 12:24:19 PM

SUBMITTAL  
 APPROVED BY: