

Job Name: 26-1882 - Fork River Commons  
 Job Location: Millington, TN  
 Contractor: Woods Constructions Services, Inc.

Plant: 100  
 4/30/2026 12:37:39 PM

Tech: Jared - A  
 PC: T. Lewis



**Structure ID: MH-3 ST-MH**

**P2 MH048CN42**

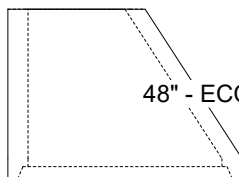
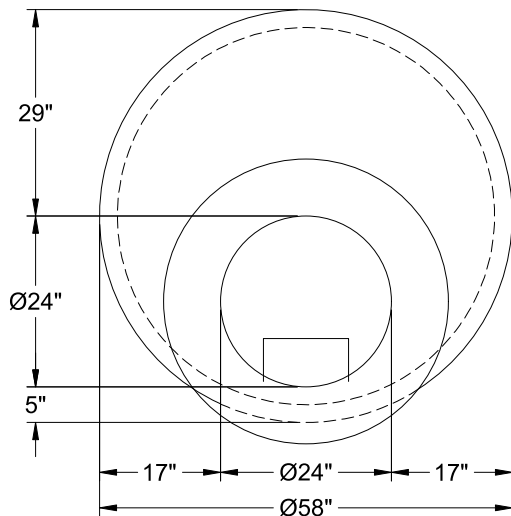
**ECC CONE w/ 24" HOLE F/G**

- P3) 24" - CASTING HEIGHT - 7"
- P2) 48" - ECC CONE w/ 24" HOLE F/G - 42"
- P1) 48" - MH BASE (08"F) T/n - 68"
- 1) CASTING - JBS 1020 F/C DRAIN
- 1) 48" - Conseal CS-102 1.00"
- 2) Hole - 30
- 10) MH Step ML-10-TDS-NCR - 10"

0 lb  
 3200 lb  
 5892 lb  
 250 lb  
 0 lb  
 0 lb  
 0 lb  
 -----  
 9342 lb

Structure Total:

- Structure Notes:
1. PER ASTM C-478 SPECIFICATIONS
  2. CONCRETE: 4,000 PSI AT 28 DAYS
  3. REINFORCEMENT: PER ASTM A615
  4. STEPS REQUIRED
  5. JBS 1020 FRAME & COVER "DRAIN" SUPPLIED BY ICAST



48" - ECC CONE w/ 24" HOLE F/G - 42" - (P2)

Coating (Int):  
 Coating (Ext):

Seam Up: Flat  
 Seam Dn: Groove

Wall Thickness: 5"

Height (Ext): 42"

Weight (Net): 3200 lb  
 Volume (Net): 0.5cu.yd