

Job Name: 26-1882 - Fork River Commons
 Job Location: Millington, TN
 Contractor: Woods Constructions Services, Inc.

Plant: 100
 4/30/2026 12:37:39 PM

Tech: Jared - A
 PC: T. Lewis



Structure ID: MH-1 ST-MH

P3 MH048CN30

ECC CONE w/ 24" HOLE F/G

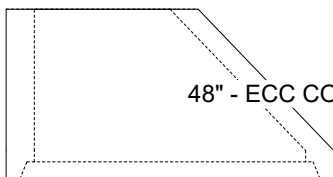
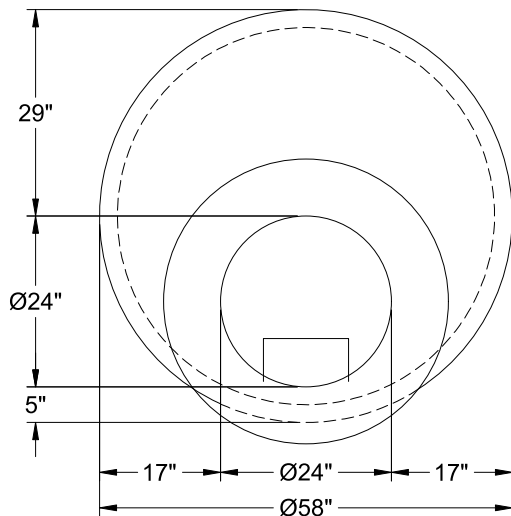
- P5) 24" - CASTING HEIGHT - 7"
- P4) 24" - GRADE RING F/F - 4"
- P3) 48" - ECC CONE w/ 24" HOLE F/G - 30"
- P2) 48" - MH RISER T/G - 60"
- P1) 48" - MH BASE (08"F) T/n - 36"
- 1) CASTING - JBS 1020 F/C DRAIN
- 2) 48" - Conseal CS-102 1.00"
- 2) Hole - 30
- 11) MH Step ML-10-TDS-NCR - 10"

0 lb
 270 lb
 2050 lb
 4192 lb
 3656 lb
 250 lb
 0 lb
 0 lb
 0 lb

 10418 lb

- Structure Notes:
1. PER ASTM C-478 SPECIFICATIONS
 2. CONCRETE: 4,000 PSI AT 28 DAYS
 3. REINFORCEMENT: PER ASTM A615
 4. STEPS REQUIRED
 5. JBS 1020 FRAME & COVER "DRAIN" SUPPLIED BY ICAST

Structure Total: 10418 lb



48" - ECC CONE w/ 24" HOLE F/G - 30" - (P3)

Coating (Int):
 Coating (Ext):

Seam Up: Flat
 Seam Dn: Groove

Wall Thickness: 5"

Height (Ext): 30"

Weight (Net): 2050 lb
 Volume (Net): 0.41cu.yd