

Structure ID: 20-CS-5

P2 MH060RS54

MH RISER T/G

P4) 30" - CASTING HEIGHT - 4" P3) 60" - MH FLAT TOP SPEC. (30" ECC HOLE) F/G - 13" P2) 60" - MH RISER T/G - 54" P1) 60" - MH BASE T/n - 36" 1) ASSEMBLY REQUIRED 1) CVSTENCILING 2) 60" - Conseal CS-102 1.00" 2) Hole - 28	0 lb 2589 lb 4996 lb 6491 lb 0 lb 0 lb 0 lb 0 lb 0 lb ----- Structure Total: 14077 lb
--	---

Structure Notes:
 4" CASTING BY OTHERS

LIFTING ANCHORS TO BE INSTALLED ON THE OUTSIDE OF THE STRUCTURE

BASE AND RISER TO BE MECHANICALLY ATTACHED PRIOR TO ASSEMBLY

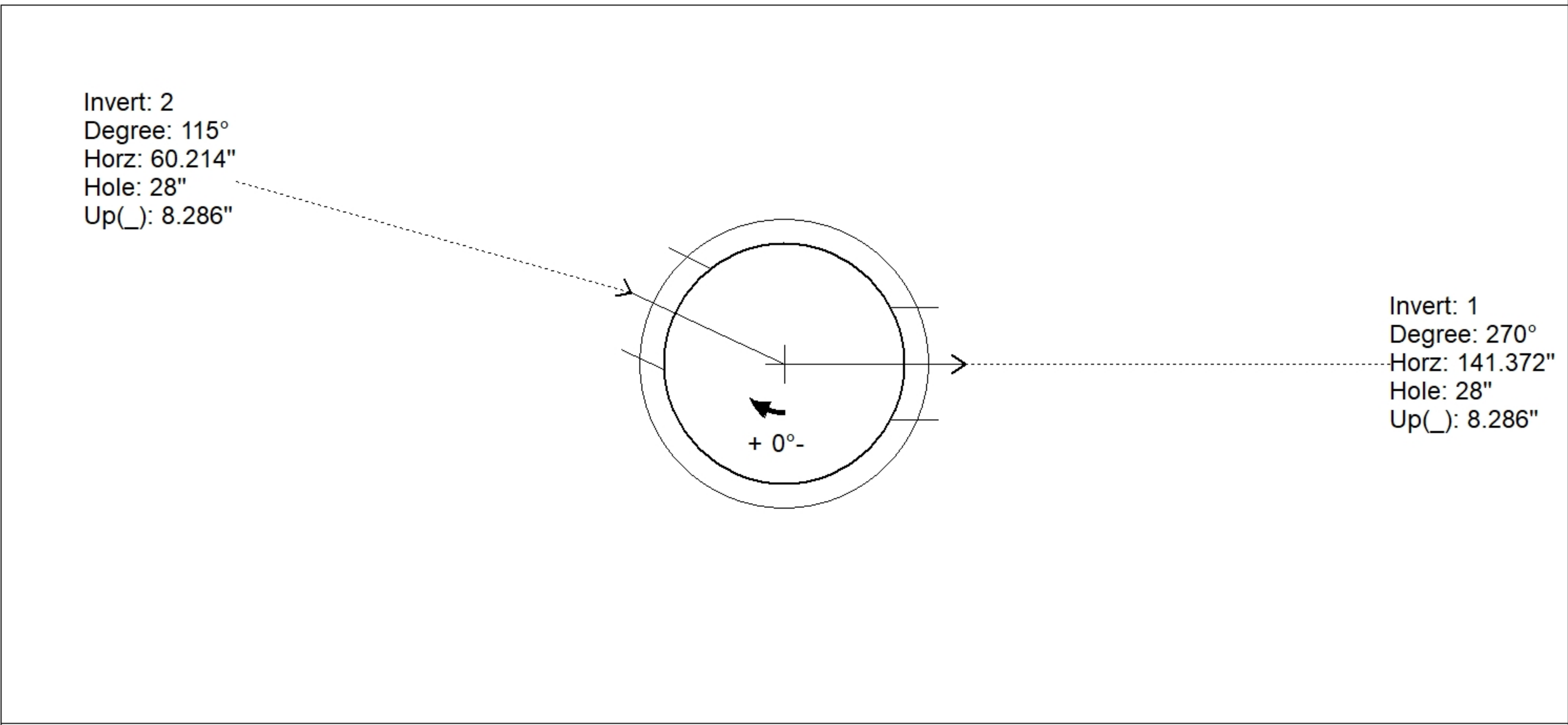
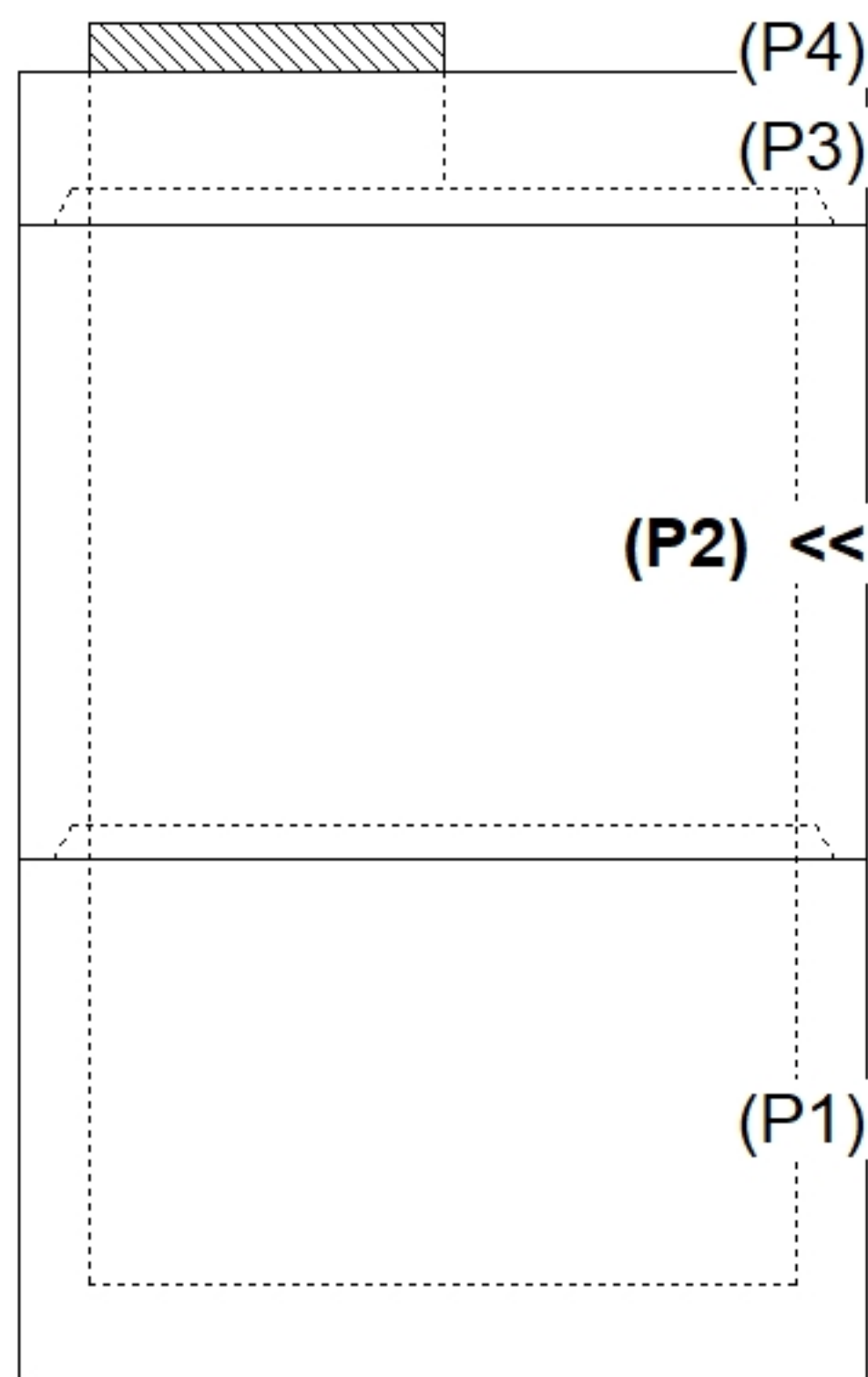
ICAST TO INSTALL THE INTERNALS

CONTECH'S LOGO AS WELL AS THE INLET AND OUTLET MUST BE STENCILED ONTO THE STRUCTURE

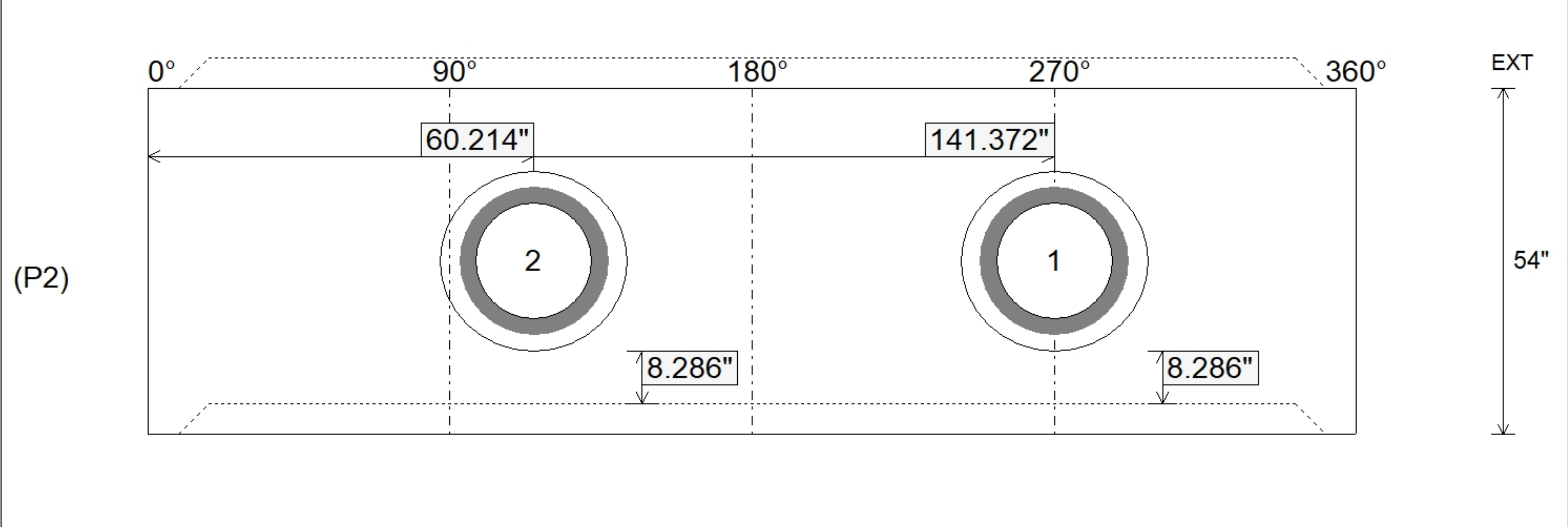
Rim: 537' Rim to Invert: 4.82' Slack: 4.876" Sump: 54.036" Step Position:

Position	Elev	Angle	Ext. (cw)	Pipe	Pipe OD	Connector	Hole	Horz Size	Up ()	Offset
Invert 1	532.18'	270°	169.646"	18" RCP B WALL	23"	Hole 28	28"	29.131"	8.286"	0"
Invert 2	532.18'	115°	72.257"	18" RCP B WALL	23"	Hole 28	28"	29.131"	8.286"	0"
Invert 3										
Invert 4										
Invert 5										
Invert 6										
Invert 7										
Invert 8										

RIGHT-SIDE UP VIEW (int. dimensions)



INSIDE WALL DIMENSIONS



Coating (Int): Coating (Ext):	Seam Up: Tongue Seam Dn: Groove	Wall Thickness: 6" Floor Height: 0"	Height (Int): 54" Height (Ext): 54"	Weight (Net): 4996 lb Volume (Net): 1.28cu.yd
----------------------------------	------------------------------------	--	--	--