

Job Name: 26-1880 733377 Larkin Springs Townhomes
Job Location: Madison, TN
Contractor: Contech Engineering Solutions

PC: C. Goff
 TECH: S. Felletter
 Plant: Beaver Dam



Structure ID: **15-CS-6**
 Spec: Storm-Pipe Centered
 Type: STM.MH
 Size: 72"

Rim: 529.5'
 Invert: 523.02'
 Rim to Invert: 6.48'

Sump: 60.036"
 Floor (Top): 518.017'
 Floor Height: 8"

Floor (Bot): 517.35'
 Overall Height: 11.75'
 Slack: 4.796"

Structure Notes:

4" CASTING BY OTHERS

LIFTING ANCHORS TO BE INSTALLED ON THE OUTSIDE OF THE STRUCTURE

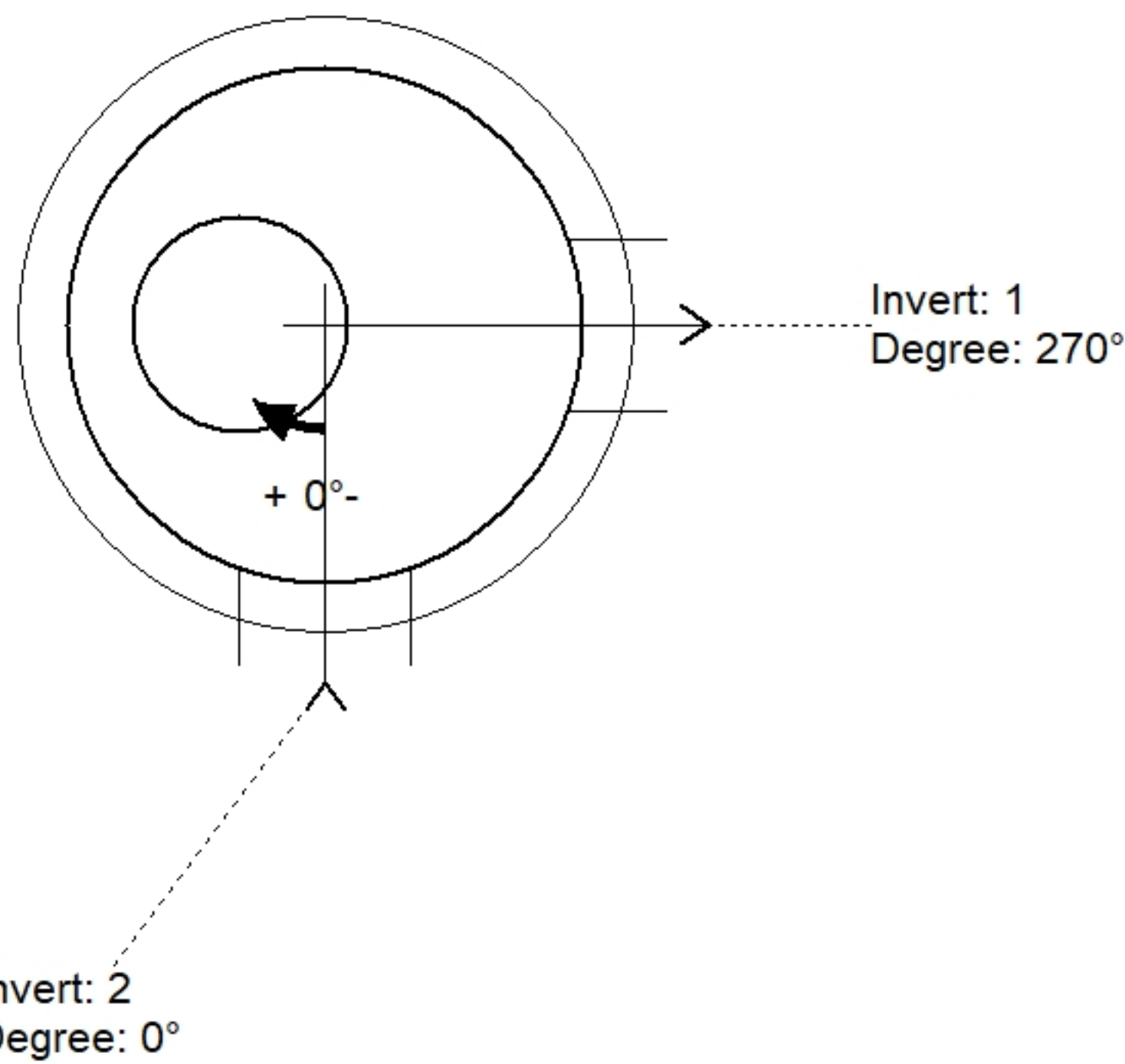
P1 RISER TO BE MECHANICALLY ATTACHED TO BASE PRIOR TO ASSEMBLY

ICAST TO INSTALL THE INTERNALS

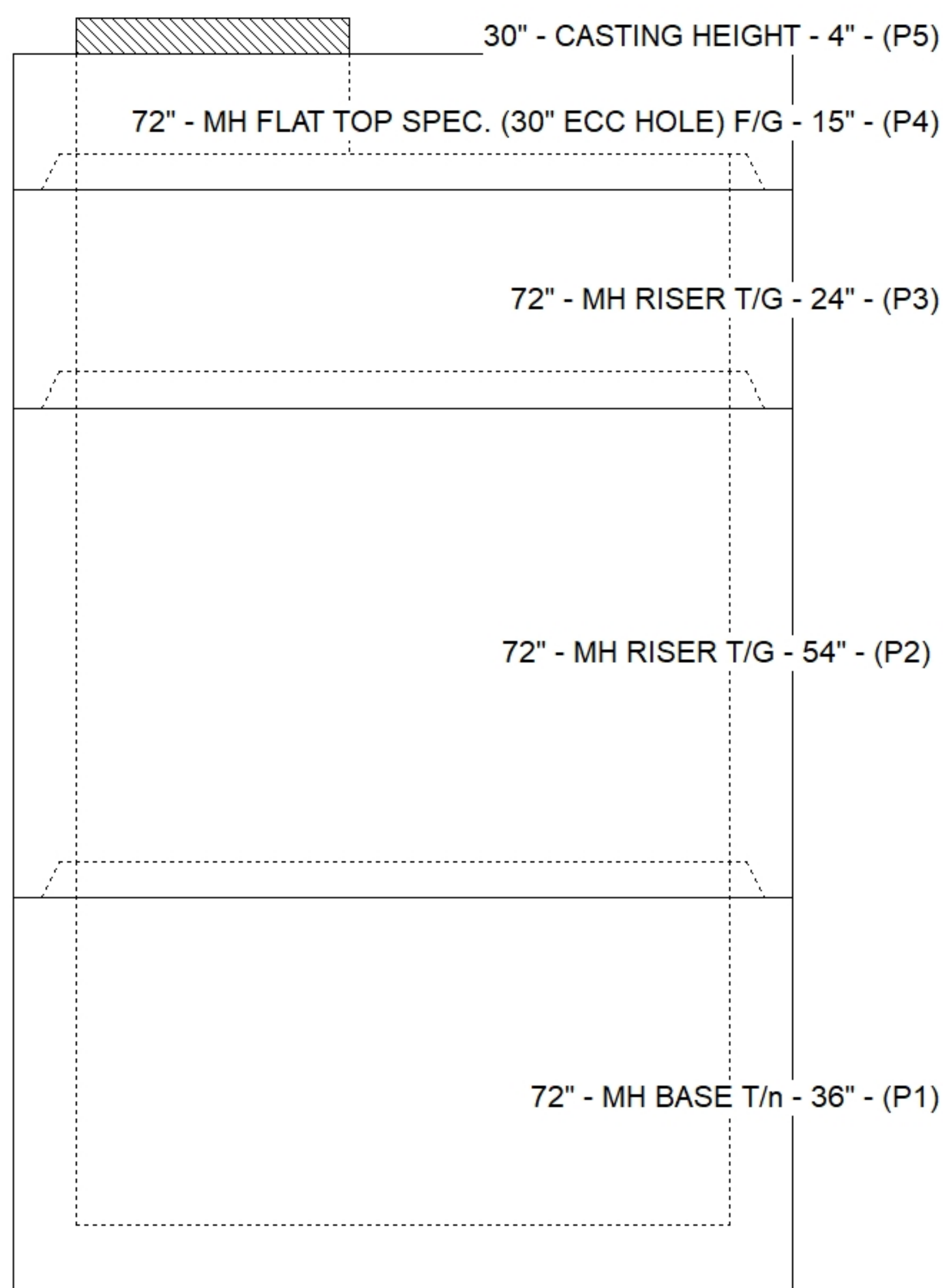
CONTECH'S LOGO AS WELL AS THE INLET AND OUTLET MUST BE STENCILED ONTO THE STRUCTURE

STRUCTURE SUMMARY:

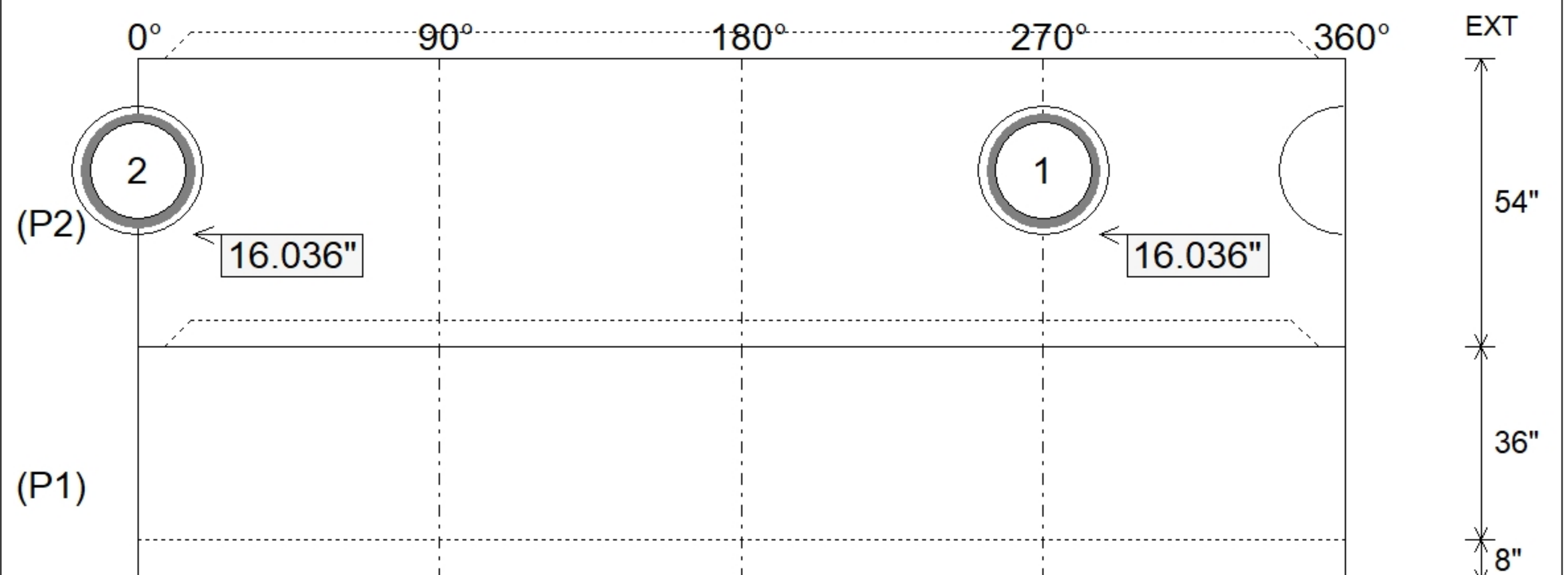
P5) 30" - CASTING HEIGHT - 4"	0 lb
P4) 72" - MH FLAT TOP SPEC. (30" ECC HOLE) F/G - 15"	4661 lb
P3) 72" - MH RISER T/G - 24"	3499 lb
P2) 72" - MH RISER T/G - 54"	7332 lb
P1) 72" - MH BASE T/n - 36"	9148 lb
1) ASSEMBLY REQUIRED	0 lb
1) CVSTENCILING	0 lb
3) 72" - Conseal CS-102 1.00"	0 lb
2) Hole - 24	0 lb
Structure Total:	24639 lb



Position	Elev	Angle	Pipe	Pipe OD	Hole	Connector	Up (')	Ref
Rim	529.5'							
Reducer								
Invert 1	523.02'	270°	18" HDPE	21.2"	24"	Hole 24	16.036"	P2
Invert 2	523.02'	0°	18" HDPE	21.2"	24"	Hole 24	16.036"	P2
Invert 3								
Invert 4								
Invert 5								
Invert 6								
Invert 7								
Invert 8								



Default - Interior Dimensions



Submittal Drawing
 4/13/2026 9:41:33 AM

SUBMITTAL
 APPROVED BY: