

Structure ID: 15-CS-6

P2 MH072RS54

MH RISER T/G

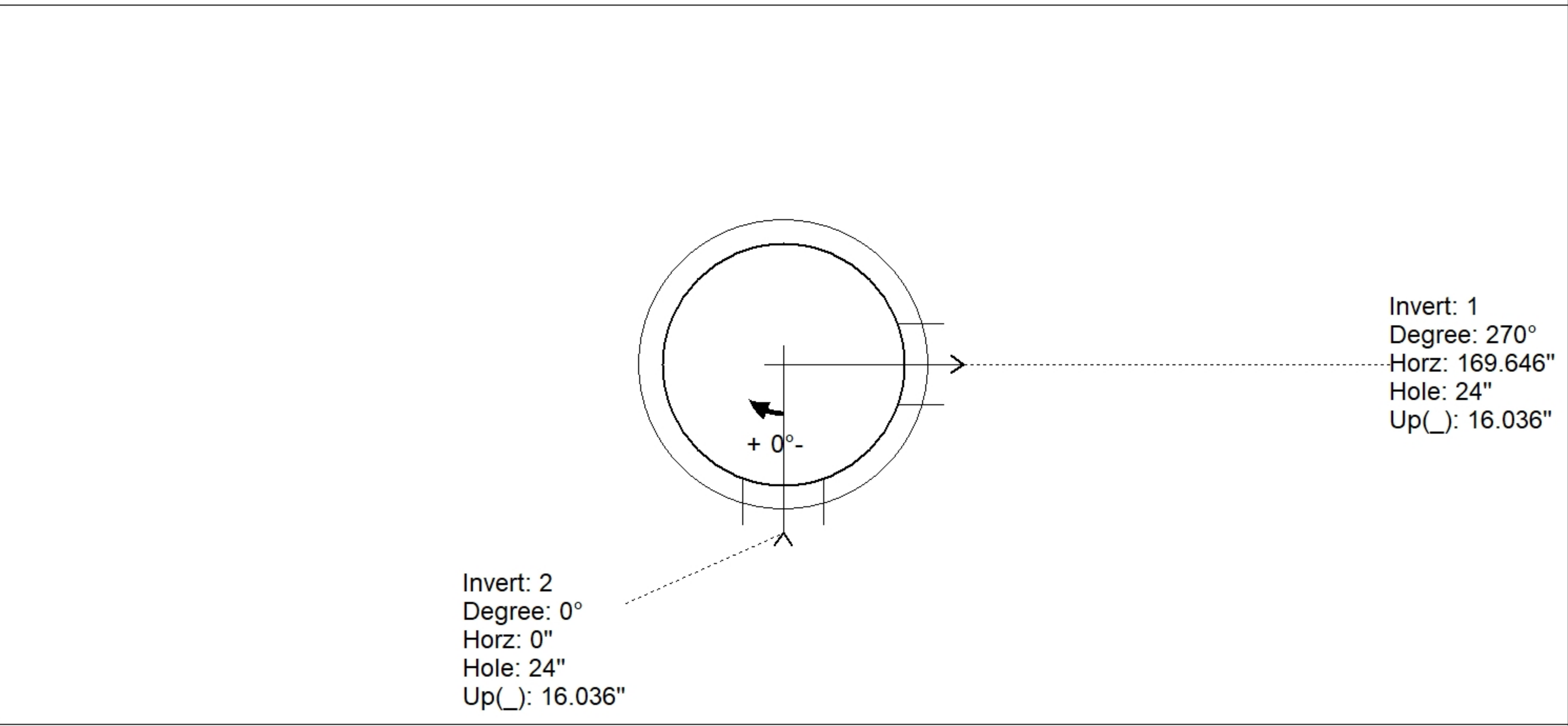
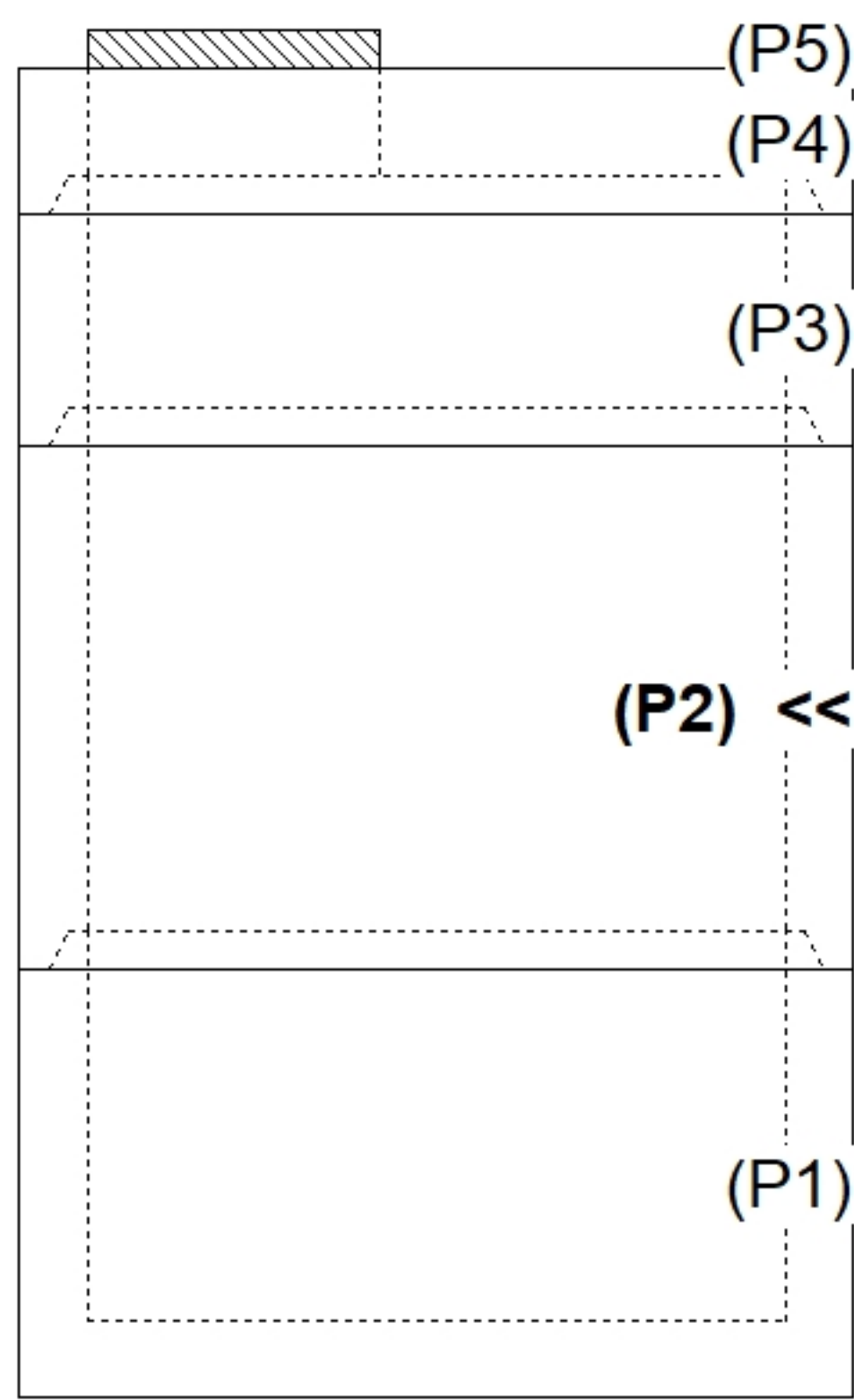
P5) 30" - CASTING HEIGHT - 4" P4) 72" - MH FLAT TOP SPEC. (30" ECC HOLE) F/G - 15" P3) 72" - MH RISER T/G - 24" P2) 72" - MH RISER T/G - 54" P1) 72" - MH BASE T/n - 36" 1) ASSEMBLY REQUIRED 1) CVSTENCILING 3) 72" - Conseal CS-102 1.00" 2) Hole - 24	0 lb 4661 lb 3499 lb 7332 lb 9148 lb 0 lb 0 lb 0 lb 0 lb ----- 24639 lb	Structure Notes: 4" CASTING BY OTHERS LIFTING ANCHORS TO BE INSTALLED ON THE OUTSIDE OF THE STRUCTURE P1 RISER TO BE MECHANICALLY ATTACHED TO BASE PRIOR TO ASSEMBLY ICAST TO INSTALL THE INTERNALS CONTECH'S LOGO AS WELL AS THE INLET AND OUTLET MUST BE STENCILED ONTO THE STRUCTURE
--	---	---

Structure Total: 24639 lb

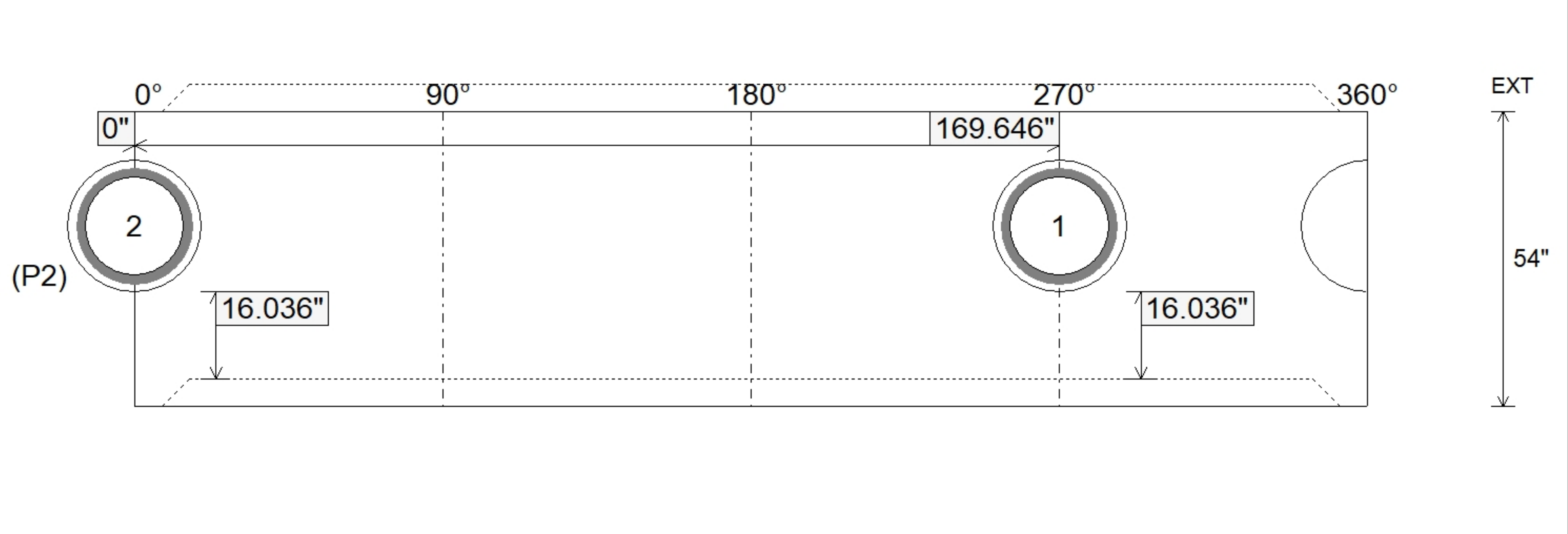
Rim: 529.5' Rim to Invert: 6.48' Slack: 4.796" Sump: 60.036" Step Position:

Position	Elev	Angle	Ext. (cw)	Pipe	Pipe OD	Connector	Hole	Horz Size	Up ()	Offset
Invert 1	523.02'	270°	202.633"	18" HDPE	21.2"	Hole 24	24"	24.468"	16.036"	0"
Invert 2	523.02'	0°	0"	18" HDPE	21.2"	Hole 24	24"	24.468"	16.036"	0"
Invert 3										
Invert 4										
Invert 5										
Invert 6										
Invert 7										
Invert 8										

RIGHT-SIDE UP VIEW (int. dimensions)



INSIDE WALL DIMENSIONS



Coating (Int):	Seam Up: Tongue Seam Dn: Groove	Wall Thickness: 7" Floor Height: 0"	Height (Int): 54" Height (Ext): 54"
Coating (Ext):			Weight (Net): 7332 lb Volume (Net): 1.87cu.yd