

Job Name: 26-1880 733377 Larkin Springs Townhomes	Plant: Beaver Dam	Tech: S. Felletter	
Job Location: Madison, TN Contractor: Contech Engineering Solutions	4/13/2026 9:41:41 AM	PC: C. Goff	

**Structure ID: 15-CS-6**

**P1 MH072BA36 MH BASE T/n**

P5) 30" - CASTING HEIGHT - 4"	0 lb
P4) 72" - MH FLAT TOP SPEC. (30" ECC HOLE) F/G - 15"	4661 lb
P3) 72" - MH RISER T/G - 24"	3499 lb
P2) 72" - MH RISER T/G - 54"	7332 lb
P1) 72" - MH BASE T/n - 36"	9148 lb
1) ASSEMBLY REQUIRED	0 lb
1) CVSTENCILING	0 lb
3) 72" - Conseal CS-102 1.00"	0 lb
2) Hole - 24	0 lb
Structure Total:	24639 lb

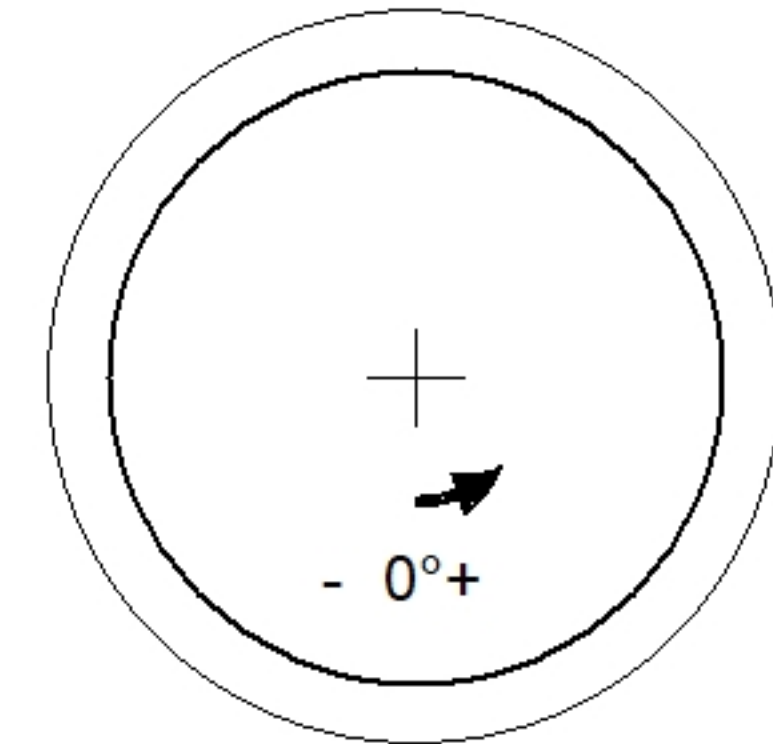
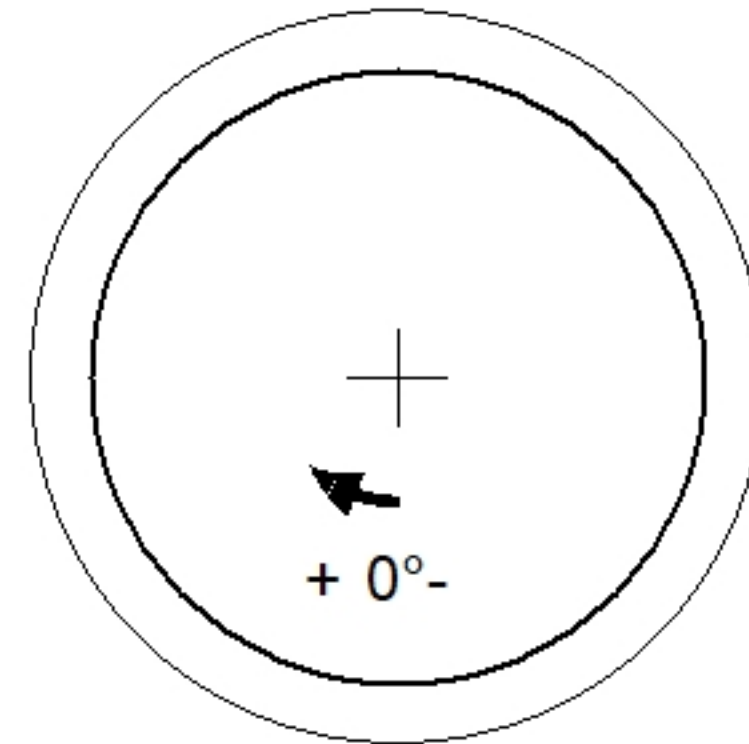
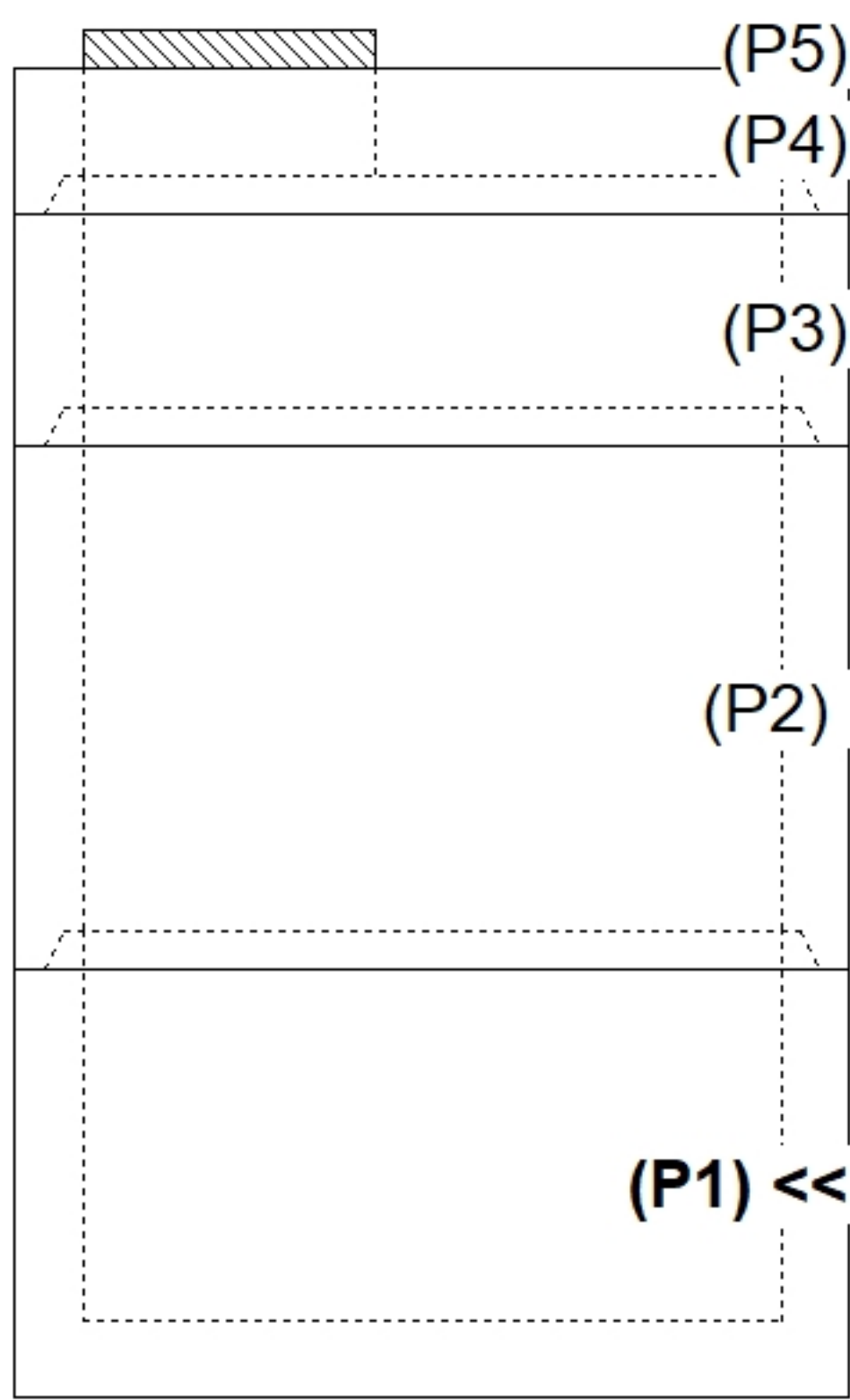
**Structure Notes:**  
 4" CASTING BY OTHERS  
 LIFTING ANCHORS TO BE INSTALLED ON THE OUTSIDE OF THE STRUCTURE  
 P1 RISER TO BE MECHANICALLY ATTACHED TO BASE PRIOR TO ASSEMBLY  
 ICAST TO INSTALL THE INTERNALS  
 CONTECH'S LOGO AS WELL AS THE INLET AND OUTLET MUST BE STENCILED ONTO THE STRUCTURE

Rim: 529.5' Rim to Invert: 6.48' Slack: 4.796" Sump: 60.036" Step Position:

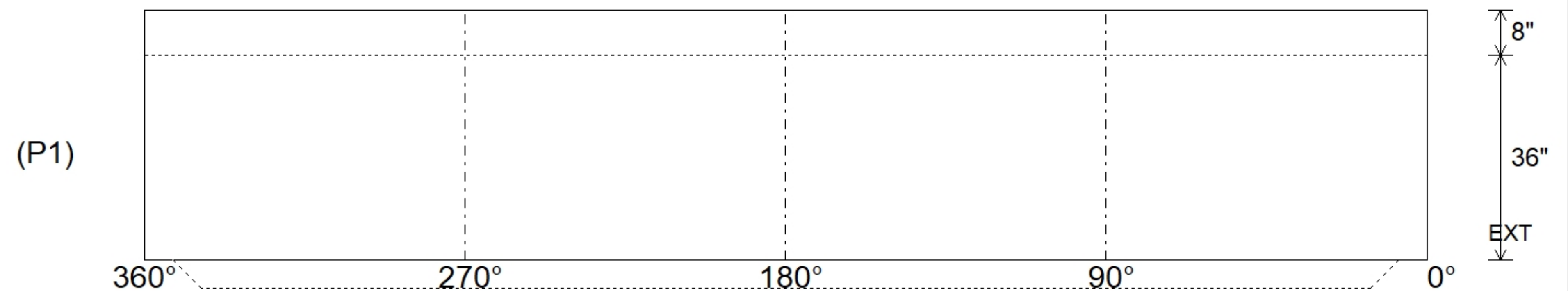
Position	Elev	Angle	Ext. (cw)	Pipe	Pipe OD	Connector	Hole	Horz Size	Up (L)	Offset
Invert 1										
Invert 2										
Invert 3										
Invert 4										
Invert 5										
Invert 6										
Invert 7										
Invert 8										

RIGHT-SIDE UP VIEW (int. dimensions)

UPSIDE-DOWN VIEW (int. dimensions)



INSIDE WALL DIMENSIONS



Coating (Int):	Seam Up: Tongue	Wall Thickness: 7"	Height (Int): 36"	Weight (Net): 9148 lb
Coating (Ext):	Seam Dn: n/a	Floor Height: 8"	Height (Ext): 44"	Volume (Net): 2.34cu.yd