

Job Name: 26-1880 733377 Larkin Springs Townhomes  
 Job Location: Madison, TN  
 Contractor: Contech Engineering Solutions

Plant: Beaver Dam  
 4/10/2026 8:58:27 AM

Tech: S. Felletter  
 PC: C. Goff



**Structure ID: 10-CS-5**

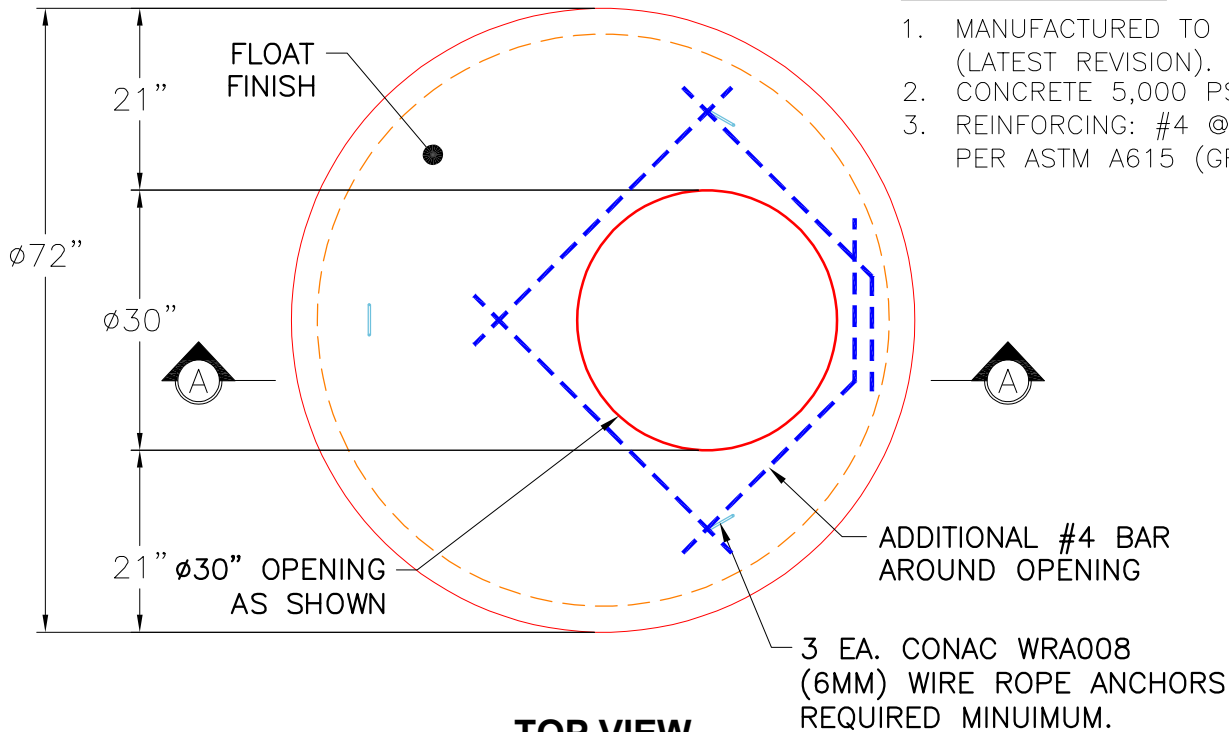
**P3 MH060LD13-30ECC**

**MH FLAT TOP SPEC. (30" ECC HOLE) F/G**

- P4) 30" - CASTING HEIGHT - 4"
- P3) 60" - MH FLAT TOP SPEC. (30" ECC HOLE) F/G - 13"
- P2) 60" - MH RISER T/G - 48"
- P1) 60" - MH BASE T/h - 36"
- 1) ASSEMBLY REQUIRED
- 1) CVSTENCILING
- 2) 60" - Conseal CS-102 1.00"
- 2) Hole - 24

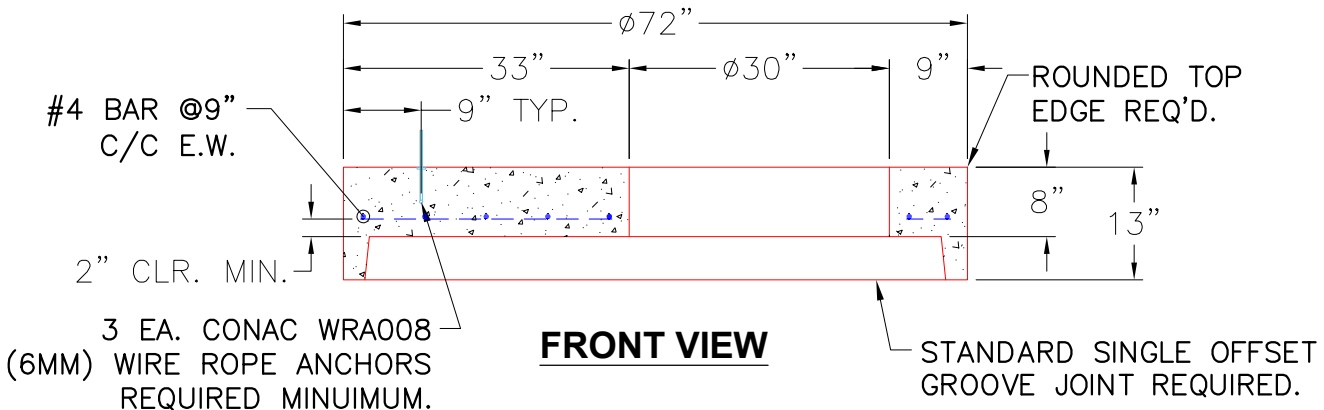
0 lb  
 2589 lb  
 4544 lb  
 6491 lb  
 0 lb  
 0 lb  
 0 lb  
 0 lb  
 -----  
 Structure Total: 13625 lb

**Structure Notes:**  
 4" CASTING BY OTHERS  
  
 LIFTING ANCHORS TO BE INSTALLED  
 ON THE OUTSIDE OF THE STRUCTURE  
  
 BASE AND RISER TO BE MECHANICALLY  
 ATTACHED PRIOR TO ASSEMBLY  
  
 ICAST TO INSTALL THE INTERNALS  
  
 CONTECH'S LOGO AS WELL AS THE  
 INLET AND OUTLET MUST BE  
 STENCILED ONTO THE STRUCTURE



- GENERAL NOTES:**
1. MANUFACTURED TO ASTM C-478 (LATEST REVISION).
  2. CONCRETE 5,000 PSI AT 28 DAYS.
  3. REINFORCING: #4 @ 9" O.C. E.W. PER ASTM A615 (GRADE 60)

**TOP VIEW**



**FRONT VIEW**

Coating (Int): Coating (Ext):	Seam Up: Flat Seam Dn: Groove	Wall Thickness: 6"	Height (Ext): 13"	Weight (Net): 2589 lb Volume (Net): 0.66cu.yd
----------------------------------	----------------------------------	--------------------	-------------------	--