

**Structure ID: 10-CS-5**

**P2 MH060RS48**

**MH RISER T/G**

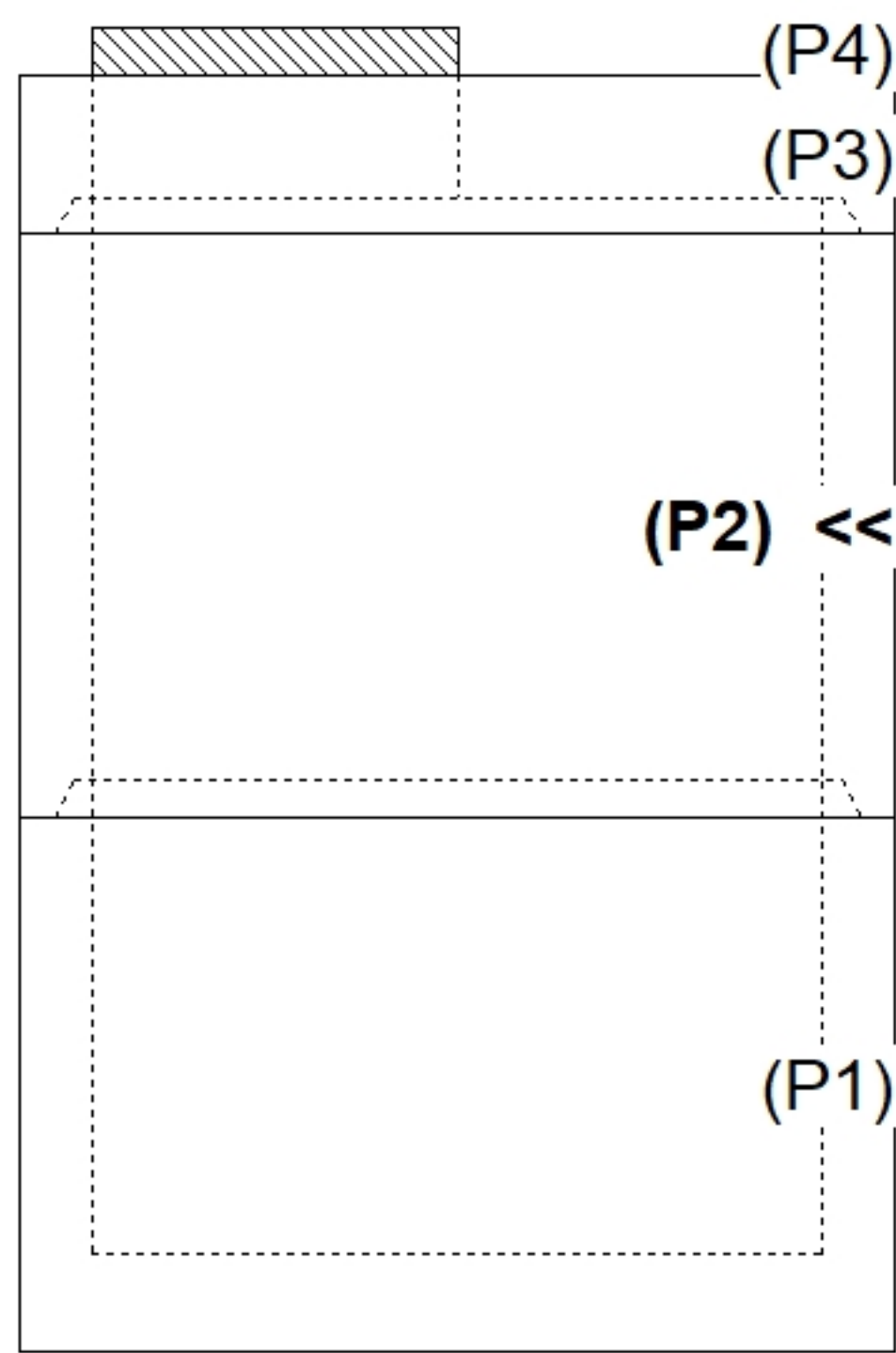
P4) 30" - CASTING HEIGHT - 4" P3) 60" - MH FLAT TOP SPEC. (30" ECC HOLE) F/G - 13" P2) 60" - MH RISER T/G - 48" P1) 60" - MH BASE T/n - 36" 1) ASSEMBLY REQUIRED 1) CVSTENCILING 2) 60" - Conseal CS-102 1.00" 2) Hole - 24	0 lb 2589 lb 4544 lb 6491 lb 0 lb 0 lb 0 lb 0 lb 0 lb ----- 13625 lb	<b>Structure Notes:</b> 4" CASTING BY OTHERS  LIFTING ANCHORS TO BE INSTALLED ON THE OUTSIDE OF THE STRUCTURE  BASE AND RISER TO BE MECHANICALLY ATTACHED PRIOR TO ASSEMBLY  ICAST TO INSTALL THE INTERNALS  CONTECH'S LOGO AS WELL AS THE INLET AND OUTLET MUST BE STENCILED ONTO THE STRUCTURE
--	--	---

Structure Total: 13625 lb

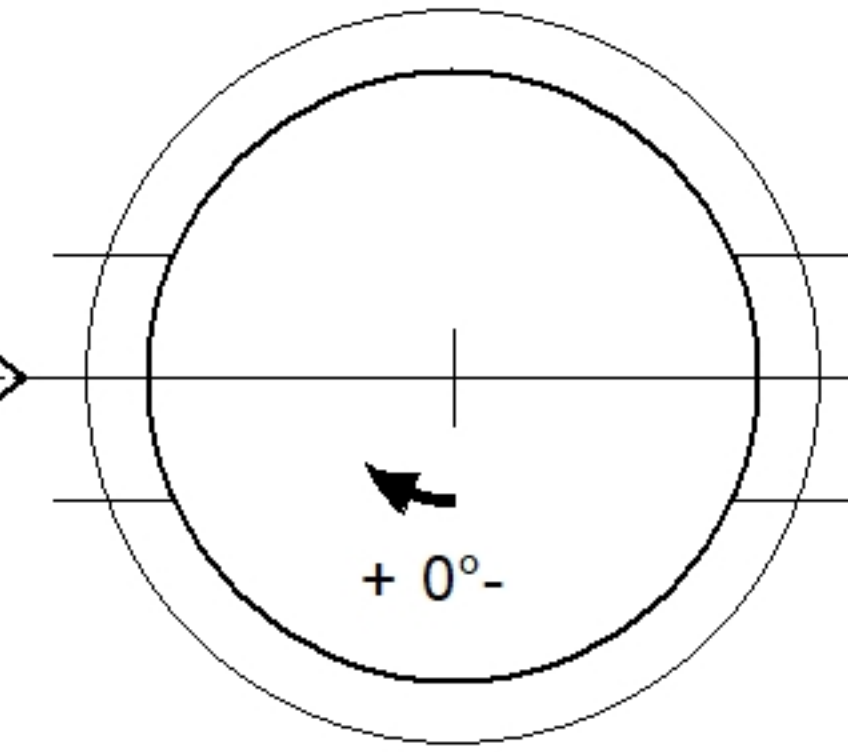
Rim: 548'    Rim to Invert: 4.5'    Slack: 7.036"    Sump: 54.036"    Step Position:

Position	Elev	Angle	Ext. (cw)	Pipe	Pipe OD	Connector	Hole	Horz Size	Up ( )	Offset
Invert 1	543.5'	270°	169.646"	18" HDPE	21.2"	Hole 24	24"	24.691"	10.286"	0"
Invert 2	543.5'	90°	56.549"	18" HDPE	21.2"	Hole 24	24"	24.691"	10.286"	0"
Invert 3										
Invert 4										
Invert 5										
Invert 6										
Invert 7										
Invert 8										

**RIGHT-SIDE UP VIEW (int. dimensions)**

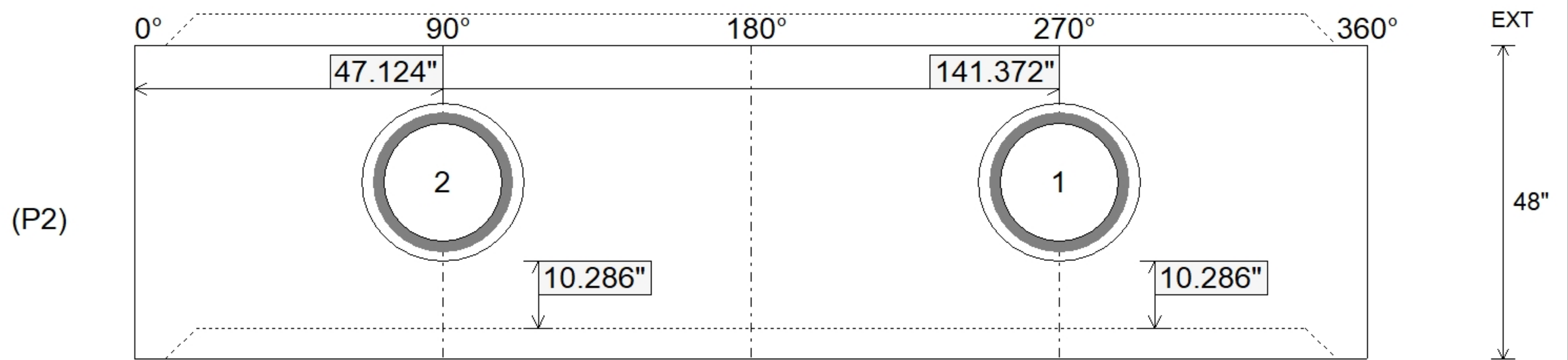


Invert: 2  
 Degree: 90°  
 Horz: 47.124"  
 Hole: 24"  
 Up( ): 10.286"



Invert: 1  
 Degree: 270°  
 Horz: 141.372"  
 Hole: 24"  
 Up( ): 10.286"

**INSIDE WALL DIMENSIONS**



Coating (Int): Coating (Ext):	Seam Up: Tongue Seam Dn: Groove	Wall Thickness: 6" Floor Height: 0"	Height (Int): 48" Height (Ext): 48"	Weight (Net): 4544 lb Volume (Net): 1.16cu.yd
----------------------------------	------------------------------------	--	--	--