

Job Name: 26-1858 - 865422 University Of Louisville Health Sciences Bldg
Job Location: Louisville, KY
Contractor: Contech Engineering Solutions

PG: C. Goff
 TECH: J. Coppage
 Plant: Beaver Dam



Structure ID: **30-CS-4**
 Spec: Storm-Pipe Centered
 Type: STM.MH
 Size: 48"

Rim: 459.32'
 Invert: 450'
 Rim to Invert: 9.32'

Sump: 51"
 Floor (Top): 445.75'
 Floor Height: 6"

Floor (Bot): 445.25'
 Overall Height: 13.333'
 Slack: 8.84"

Structure Notes:
 (4" TALL CASTING PROVIDED BY OTHERS)

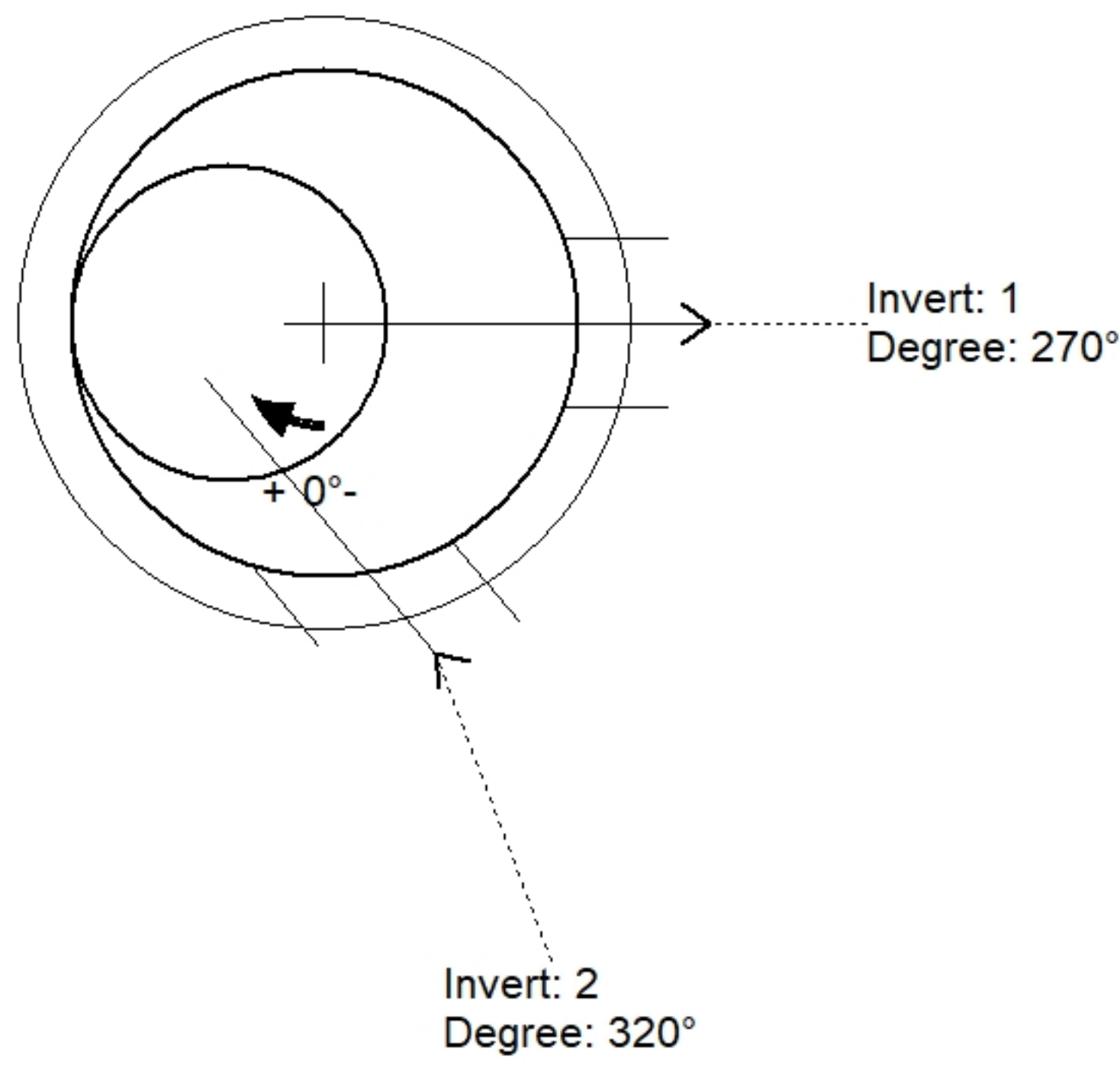
LIFTING ANCHORS TO BE INSTALLED ON THE OUTSIDE OF THE STRUCTURE

ICAST TO INSTALL THE INTERNALS

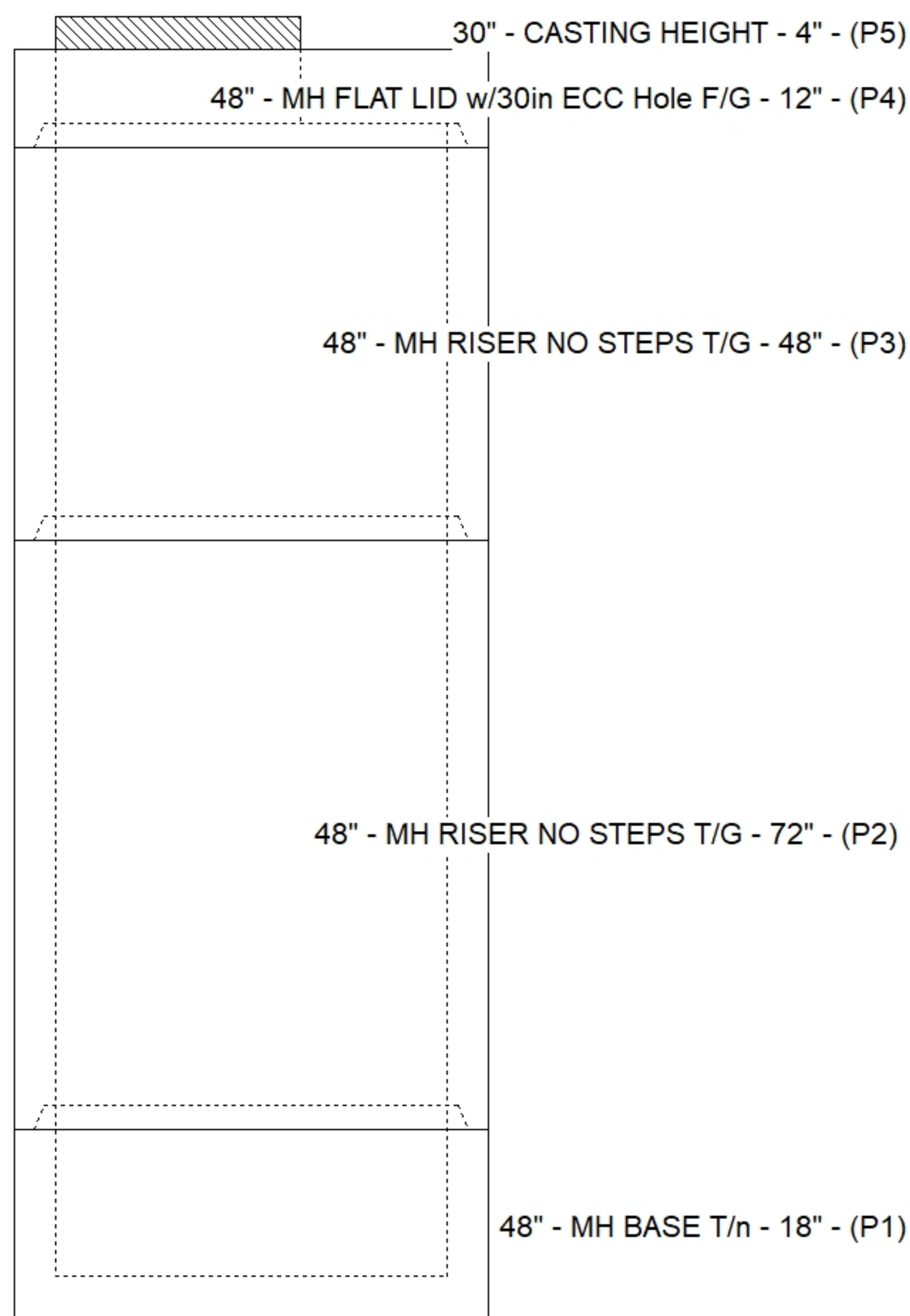
CONTECH'S LOGO AS WELL AS THE INLET AND THE OUTLET MUST BE STENCILED ONTO THE STRUCTURE

STRUCTURE SUMMARY:

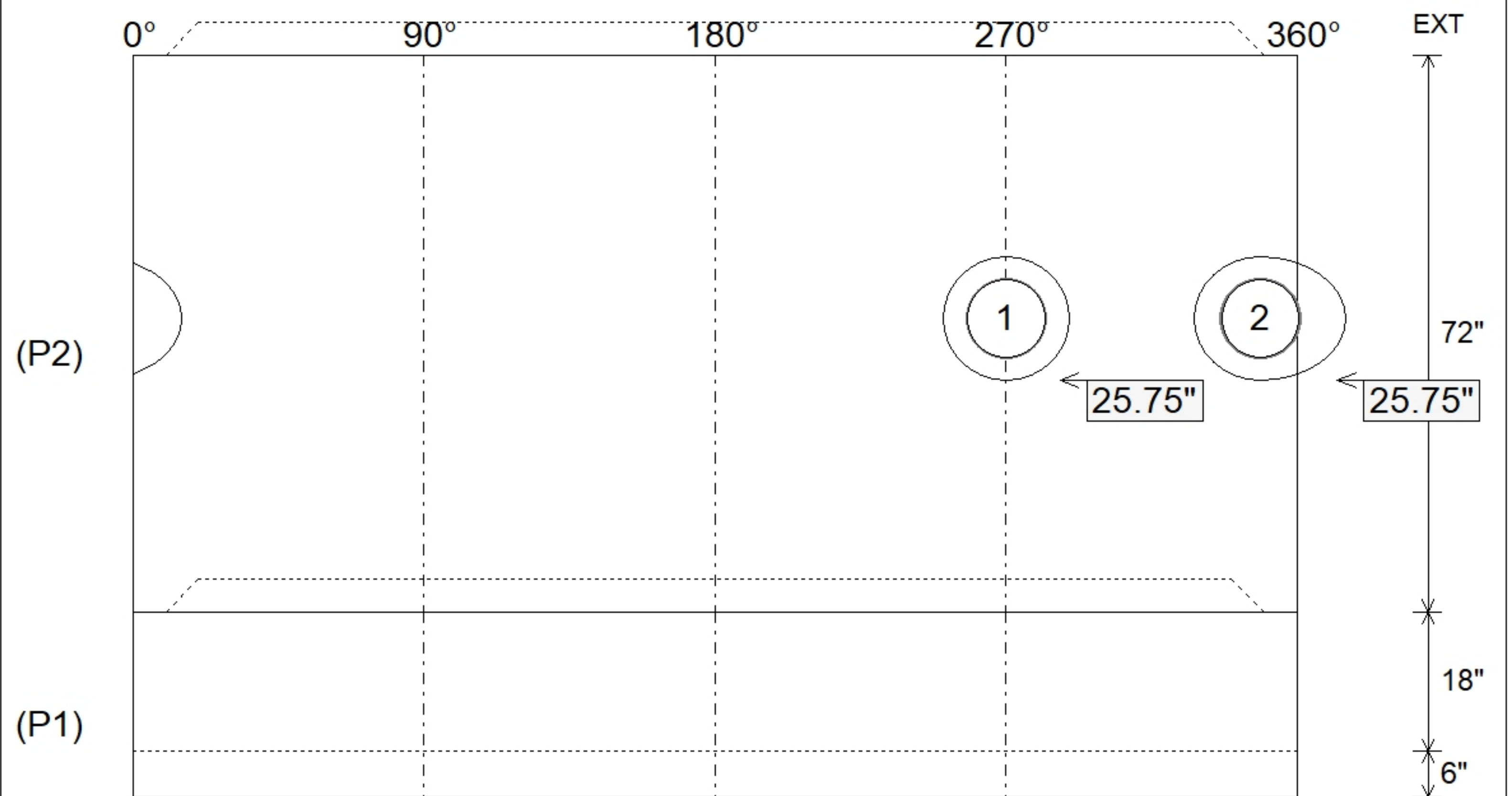
P5) 30" - CASTING HEIGHT - 4"	0 lb
P4) 48" - MH FLAT LID w/30in ECC Hole F/G - 12"	1413 lb
P3) 48" - MH RISER NO STEPS T/G - 48"	3353 lb
P2) 48" - MH RISER NO STEPS T/G - 72"	4845 lb
P1) 48" - MH BASE T/n - 18"	2588 lb
1) CVSTENCILING	0 lb
1) ASSEMBLY REQUIRED	0 lb
3) 48" - Conseal CS-102 1.00"	0 lb
2) Hole - 16	0 lb
Structure Total:	12199 lb



Position	Elev	Angle	Pipe	Pipe OD	Hole	Connector	Up (")	Ref
Rim	459.32'							
Reducer								
Invert 1	450'	270°	10" PVC SDR35	10.5"	16"	Hole 16	25.75"	P2
Invert 2	450'	320°	10" PVC SDR35	10.5"	16"	Hole 16	25.75"	P2
Invert 3								
Invert 4								
Invert 5								
Invert 6								
Invert 7								
Invert 8								



Default - Interior Dimensions



Submittal Drawing
 4/13/2026 9:56:29 AM

SUBMITTAL
 APPROVED BY: