

Job Name: 26-1858 - 865422 University Of Louisville Health Sciences Bldg
 Job Location: Louisville, KY
 Contractor: Contech Engineering Solutions

Plant: Beaver Dam
 4/10/2026 10:15:00 AM

Tech: J. Coppage
 PC: C. Goff



Structure ID: 30-CS-4

P2 MH048RS72S

MH RISER NO STEPS T/G

- P5) 30" - CASTING HEIGHT - 4"
- P4) 48" - MH FLAT LID w/30in ECC Hole F/G - 12"
- P3) 48" - MH RISER NO STEPS T/G - 48"
- P2) 48" - MH RISER NO STEPS T/G - 72"
- P1) 48" - MH BASE T/h - 18"
- 1) CVSTENCILING
- 1) ASSEMBLY REQUIRED
- 3) 48" - Conseal CS-102 1.00"
- 2) Hole - 16

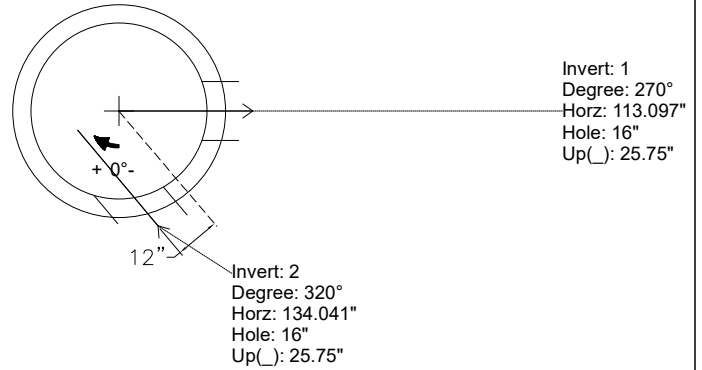
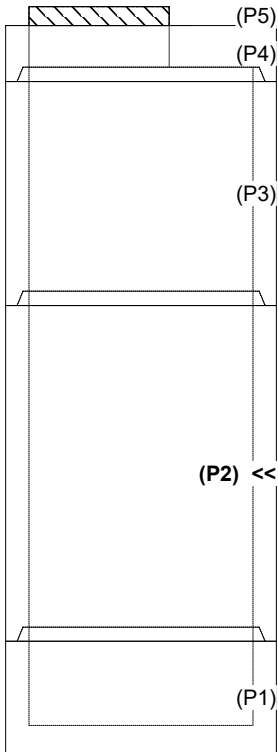
0 lb
 1413 lb
 3353 lb
 4845 lb
 2588 lb
 0 lb
 0 lb
 0 lb
 0 lb
 0 lb
 Structure Total: 12199 lb

Structure Notes:
 (4" TALL CASTING PROVIDED BY OTHERS)
 LIFTING ANCHORS TO BE INSTALLED ON THE OUTSIDE OF THE STRUCTURE
 ICAST TO INSTALL THE INTERNALS
 CONTECH'S LOGO AS WELL AS THE INLET AND THE OUTLET MUST BE STENCILED ONTO THE STRUCTURE

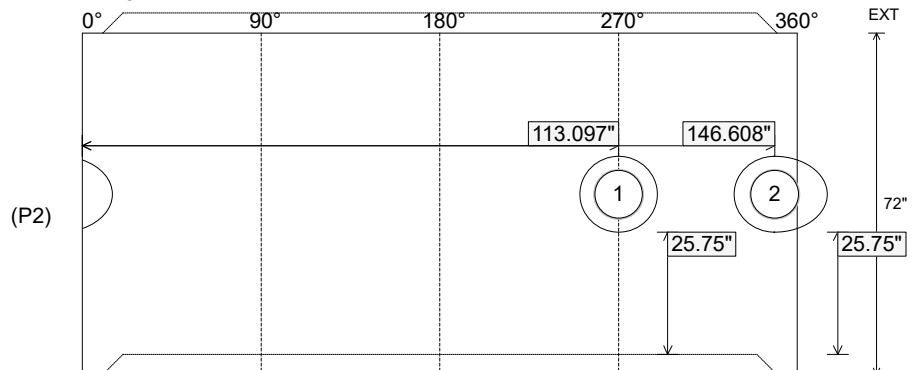
Rim: 459.32' Rim to Invert: 9.32' Slack: 8.84" Sump: 51" Step Position:

Position	Elev	Angle	Ext. (cw)	Pipe	Pipe OD	Connector	Hole	Horz Size	Up ()	Offset
Invert 1	450'	270°	136.659"	10" PVC SDR35	10.5"	Hole 16	16"	16.312"	25.75"	0"
Invert 2	450'	320°	174.338"	10" PVC SDR35	10.5"	Hole 16	16"	19.624"	25.75"	12"
Invert 3										
Invert 4										
Invert 5										
Invert 6										
Invert 7										
Invert 8										

RIGHT-SIDE UP VIEW (int. dimensions)



INSIDE WALL DIMENSIONS



Coating (Int): Coating (Ext):	Seam Up: Tongue Seam Dn: Groove	Wall Thickness: 5" Floor Height: 0"	Height (Int): 72" Height (Ext): 72"	Weight (Net): 4845 lb Volume (Net): 1.24cu.yd
----------------------------------	------------------------------------	--	--	--