

**Structure ID: 30-CS-4**

**P1 MH048BA18**

**MH BASE T/n**

P5) 30" - CASTING HEIGHT - 4" P4) 48" - MH FLAT LID w/30in ECC Hole F/G - 12" P3) 48" - MH RISER NO STEPS T/G - 48" P2) 48" - MH RISER NO STEPS T/G - 72" P1) 48" - MH BASE T/n - 18" 1) CVSTENCILING 1) ASSEMBLY REQUIRED 3) 48" - Conseal CS-102 1.00" 2) Hole - 16	0 lb 1413 lb 3353 lb 4845 lb 2588 lb 0 lb 0 lb 0 lb 0 lb 0 lb ----- Structure Total: 12199 lb
-----------------------------------------------------------------------------------------------------------------------------------------------------------------------------------------------------------------------------------------------------------------------------------------------	--------------------------------------------------------------------------------------------------------------------------------

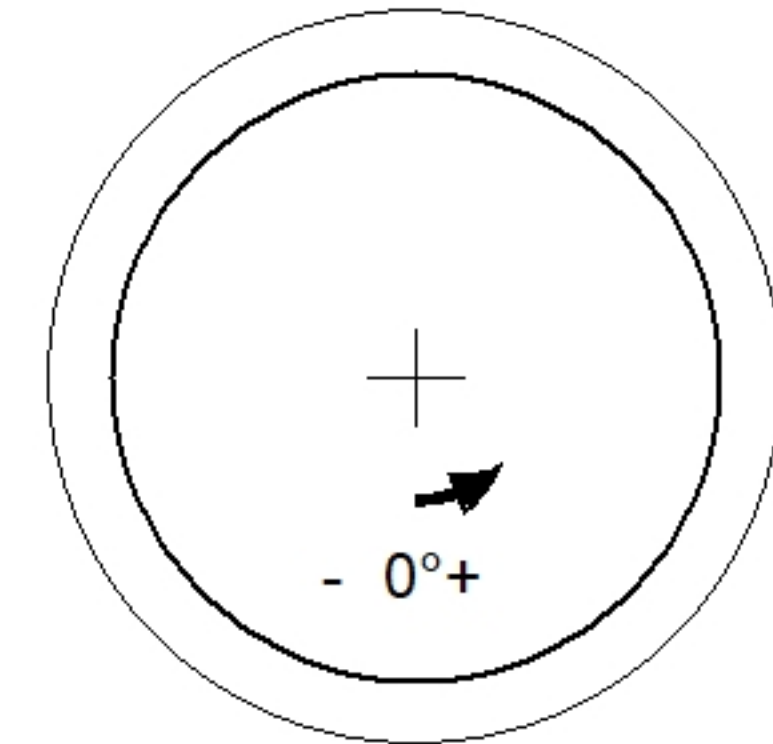
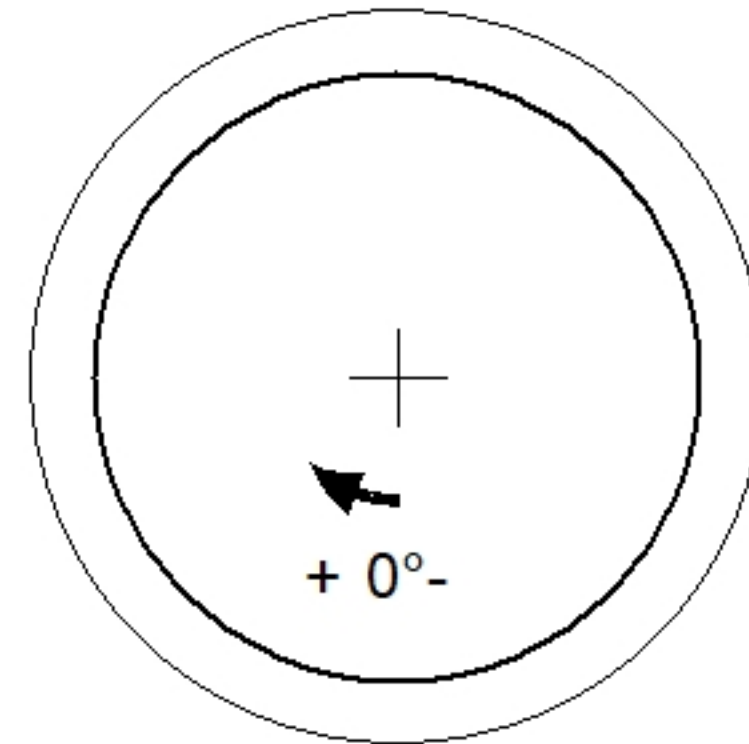
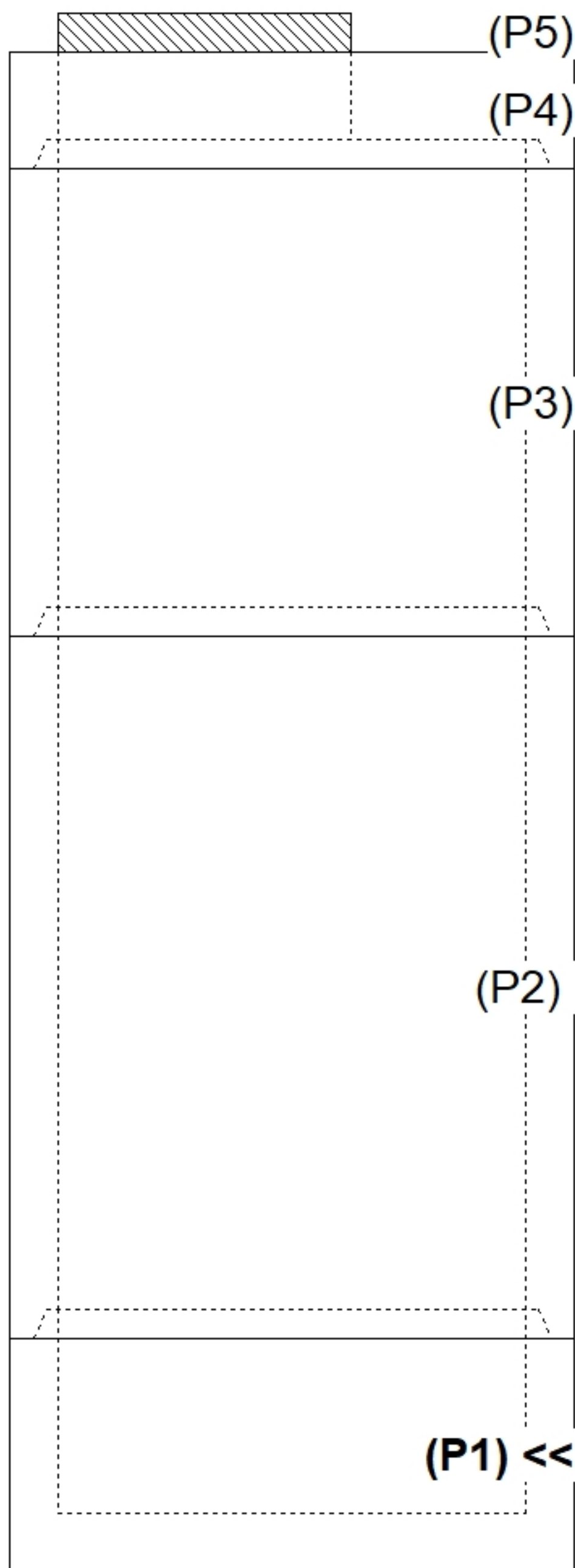
Structure Notes:  
 (4" TALL CASTING PROVIDED BY OTHERS)  
  
 LIFTING ANCHORS TO BE INSTALLED ON THE OUTSIDE OF THE STRUCTURE  
  
 ICAST TO INSTALL THE INTERNALS  
  
 CONTECH'S LOGO AS WELL AS THE INLET AND THE OUTLET MUST BE STENCILED ONTO THE STRUCTURE

Rim: 459.32'    Rim to Invert: 9.32'    Slack: 8.84"    Sump: 51"    Step Position:

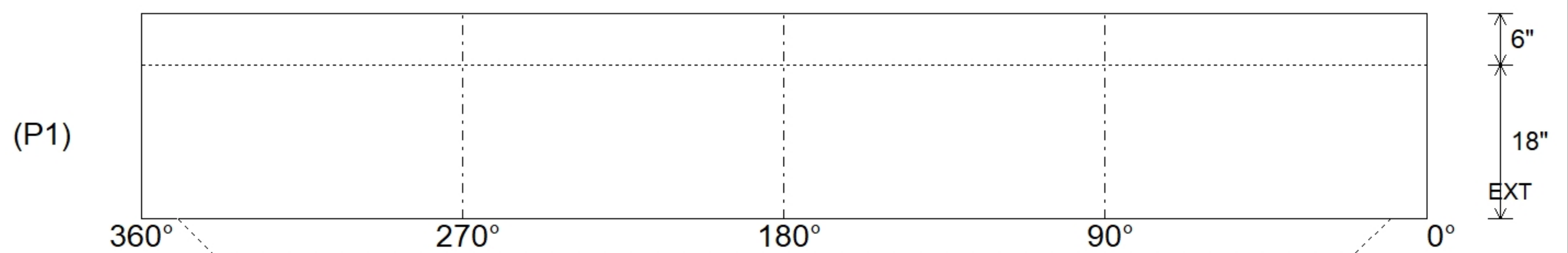
Position	Elev	Angle	Ext. (cw)	Pipe	Pipe OD	Connector	Hole	Horz Size	Up (L)	Offset
Invert 1										
Invert 2										
Invert 3										
Invert 4										
Invert 5										
Invert 6										
Invert 7										
Invert 8										

RIGHT-SIDE UP VIEW (int. dimensions)

UPSIDE-DOWN VIEW (int. dimensions)



INSIDE WALL DIMENSIONS



Coating (Int):	Seam Up: Tongue	Wall Thickness: 5"	Height (Int): 18"
Coating (Ext):	Seam Dn: n/a	Floor Height: 6"	Height (Ext): 24"
		Weight (Net): 2588 lb	
		Volume (Net): 0.66cu.yd	