

Job Name: 26-1858 - 865422 University Of Louisville Health Sciences Bldg
 Job Location: Louisville, KY
 Contractor: Contech Engineering Solutions

Plant: Beaver Dam
 4/10/2026 10:14:49 AM

Tech: J. Coppage
 PC: C. Goff



Structure ID: 25-CS-4

P4 MH048LD12-30

MH FLAT LID w/30in ECC Hole F/G

- P5) 30" - CASTING HEIGHT - 4"
- P4) 48" - MH FLAT LID w/30in ECC Hole F/G - 12"
- P3) 48" - MH RISER NO STEPS T/G - 24"
- P2) 48" - MH RISER NO STEPS T/G - 60"
- P1) 48" - MH BASE T/h - 18"
- 1) CVSTENCILING
- 1) ASSEMBLY REQUIRED
- 3) 48" - Conseal CS-102 1.00"
- 2) Hole - 16

0 lb
 1413 lb
 1677 lb
 3986 lb
 2588 lb
 0 lb
 0 lb
 0 lb
 0 lb

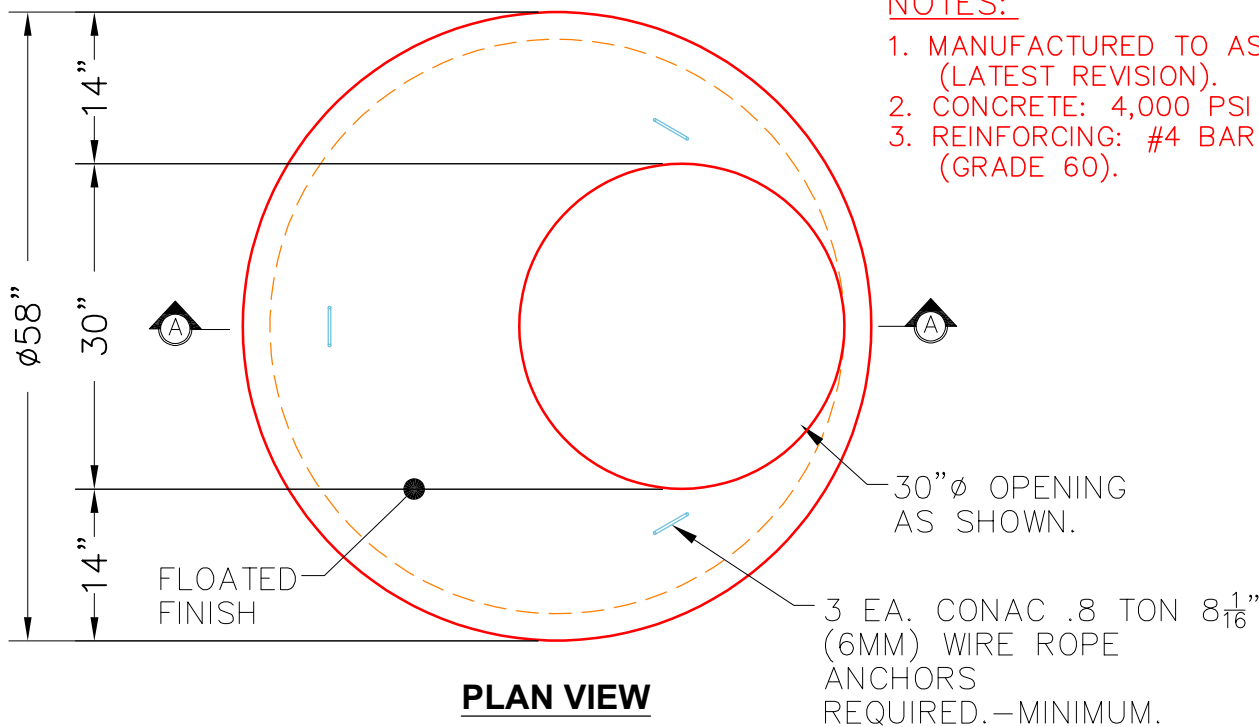
 Structure Total: 9664 lb

Structure Notes:
 (4" TALL CASTING PROVIDED BY OTHERS)

 LIFTING ANCHORS TO BE INSTALLED
 ON THE OUTSIDE OF THE STRUCTURE

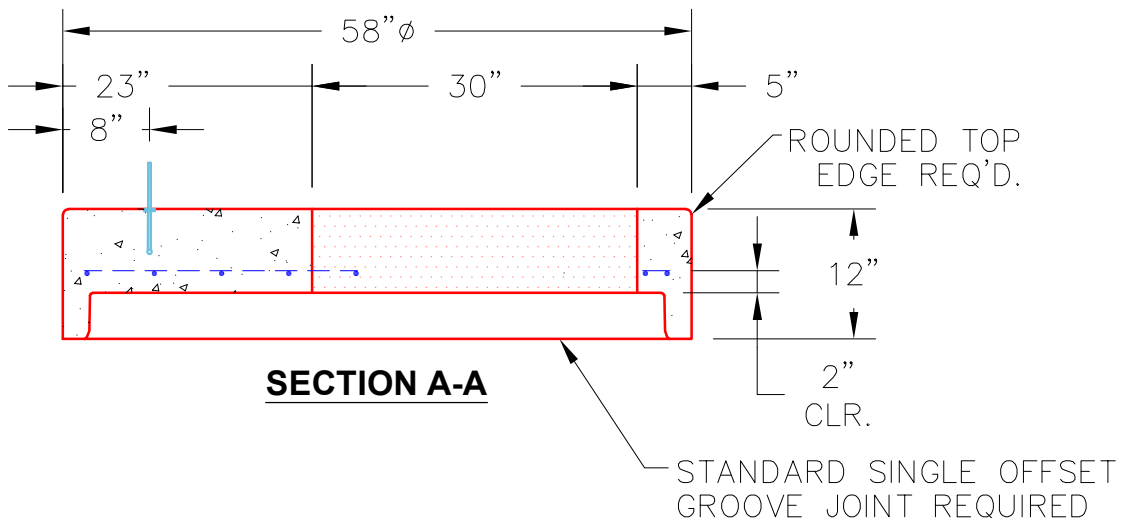
 ICAST TO INSTALL THE INTERNALS

 CONTECH'S LOGO AS WELL AS THE
 INLET AND THE OUTLET MUST BE
 STENCILED ONTO THE STRUCTURE



NOTES:

1. MANUFACTURED TO ASTM C-478 (LATEST REVISION).
2. CONCRETE: 4,000 PSI AT 28 DAYS.
3. REINFORCING: #4 BAR @ 10" O.C. E.W. (GRADE 60).



Coating (Int):
 Coating (Ext):

Seam Up: Flat
 Seam Dn: Groove

Wall Thickness: 5"

Height (Ext): 12"

Weight (Net): 1413 lb
 Volume (Net): 0.36cu.yd