

**Structure ID: 25-CS-4**

**P3 MH048RS24S**

**MH RISER NO STEPS T/G**

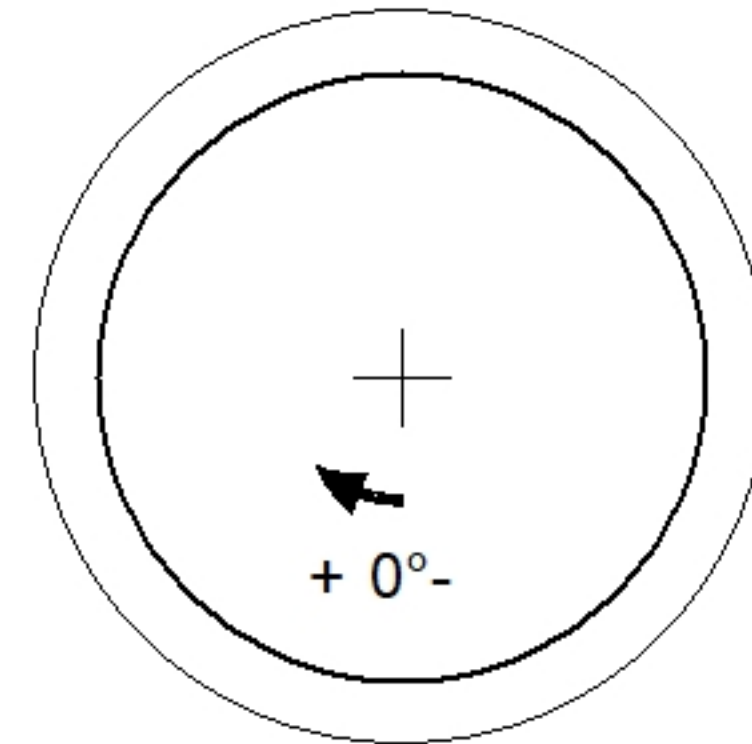
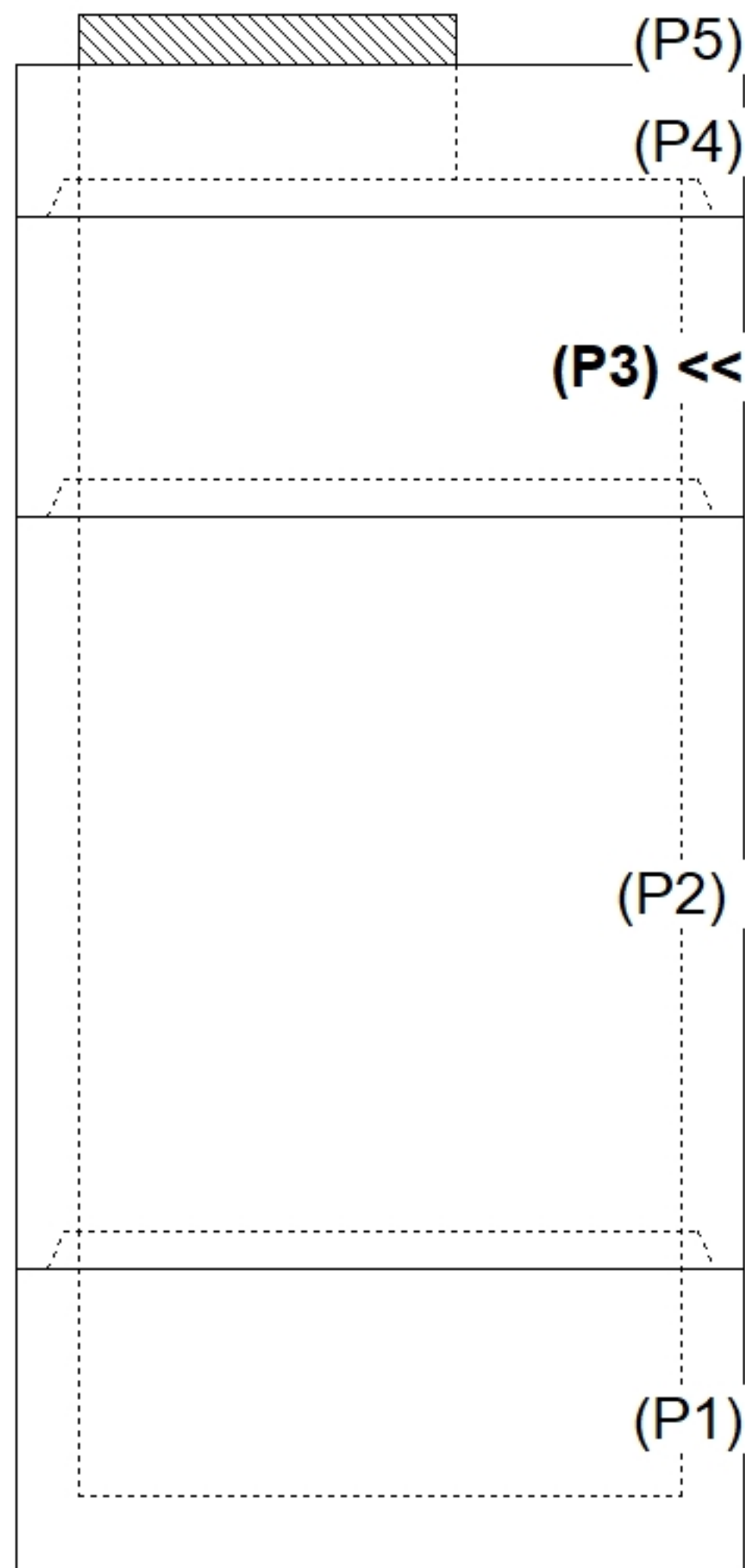
P5) 30" - CASTING HEIGHT - 4" P4) 48" - MH FLAT LID w/30in ECC Hole F/G - 12" P3) 48" - MH RISER NO STEPS T/G - 24" P2) 48" - MH RISER NO STEPS T/G - 60" P1) 48" - MH BASE T/n - 18" 1) CVSTENCILING 1) ASSEMBLY REQUIRED 3) 48" - Conseal CS-102 1.00" 2) Hole - 16	0 lb 1413 lb 1677 lb 3986 lb 2588 lb 0 lb 0 lb 0 lb 0 lb 0 lb ----- Structure Total: 9664 lb
---	---

Structure Notes:  
 (4" TALL CASTING PROVIDED BY OTHERS)  
  
 LIFTING ANCHORS TO BE INSTALLED ON THE OUTSIDE OF THE STRUCTURE  
  
 ICAST TO INSTALL THE INTERNALS  
  
 CONTECH'S LOGO AS WELL AS THE INLET AND THE OUTLET MUST BE STENCILED ONTO THE STRUCTURE

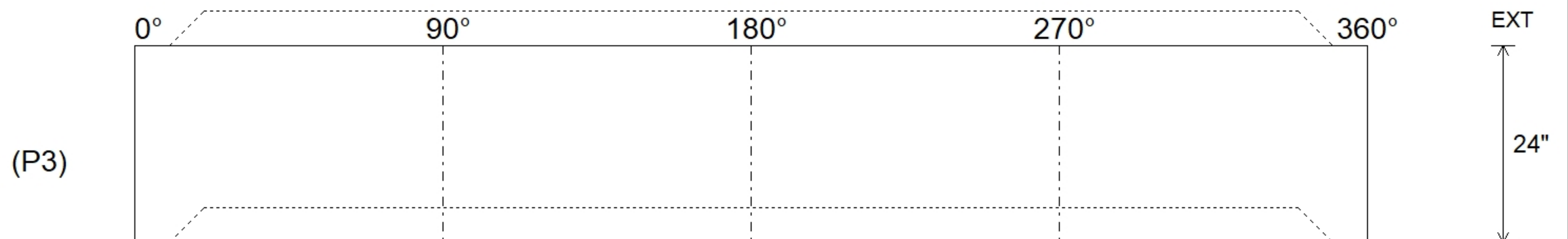
Rim: 459.13'    Rim to Invert: 6.43'    Slack: 10.16"    Sump: 51"    Step Position:

Position	Elev	Angle	Ext. (cw)	Pipe	Pipe OD	Connector	Hole	Horz Size	Up (L)	Offset
Invert 1										
Invert 2										
Invert 3										
Invert 4										
Invert 5										
Invert 6										
Invert 7										
Invert 8										

**RIGHT-SIDE UP VIEW (int. dimensions)**



**INSIDE WALL DIMENSIONS**



Coating (Int):	Seam Up: Tongue Seam Dn: Groove	Wall Thickness: 5" Floor Height: 0"	Height (Int): 24" Height (Ext): 24"
Coating (Ext):			Weight (Net): 1677 lb Volume (Net): 0.43cu.yd