

Job Name: 26-1858 - 865422 University Of Louisville Health Sciences Bldg  
 Job Location: Louisville, KY  
 Contractor: Contech Engineering Solutions

Plant: Beaver Dam  
 4/10/2026 10:14:59 AM

Tech: J. Coppage  
 PC: C. Goff



**Structure ID: 25-CS-4**

**P2 MH048RS60S**

**MH RISER NO STEPS T/G**

- P5) 30" - CASTING HEIGHT - 4"
- P4) 48" - MH FLAT LID w/30in ECC Hole F/G - 12"
- P3) 48" - MH RISER NO STEPS T/G - 24"
- P2) 48" - MH RISER NO STEPS T/G - 60"
- P1) 48" - MH BASE T/h - 18"
- 1) CVSTENCILING
- 1) ASSEMBLY REQUIRED
- 3) 48" - Conseal CS-102 1.00"
- 2) Hole - 16

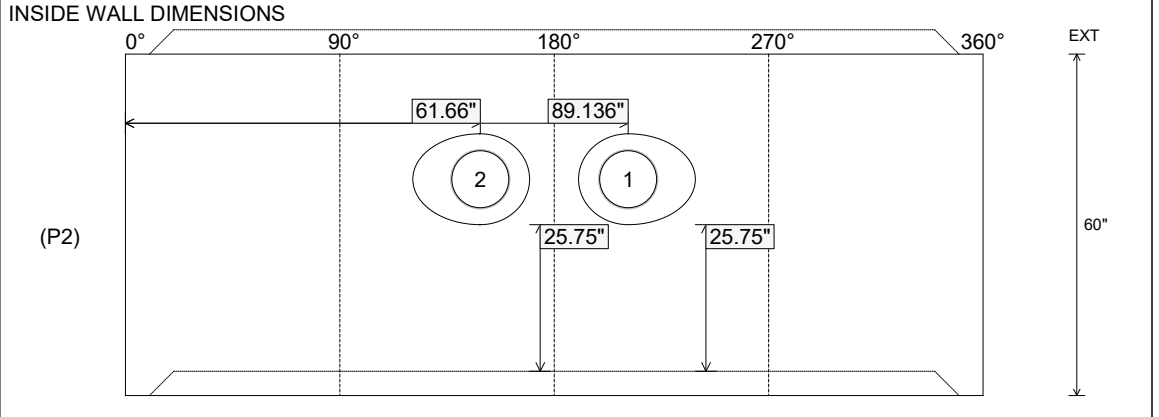
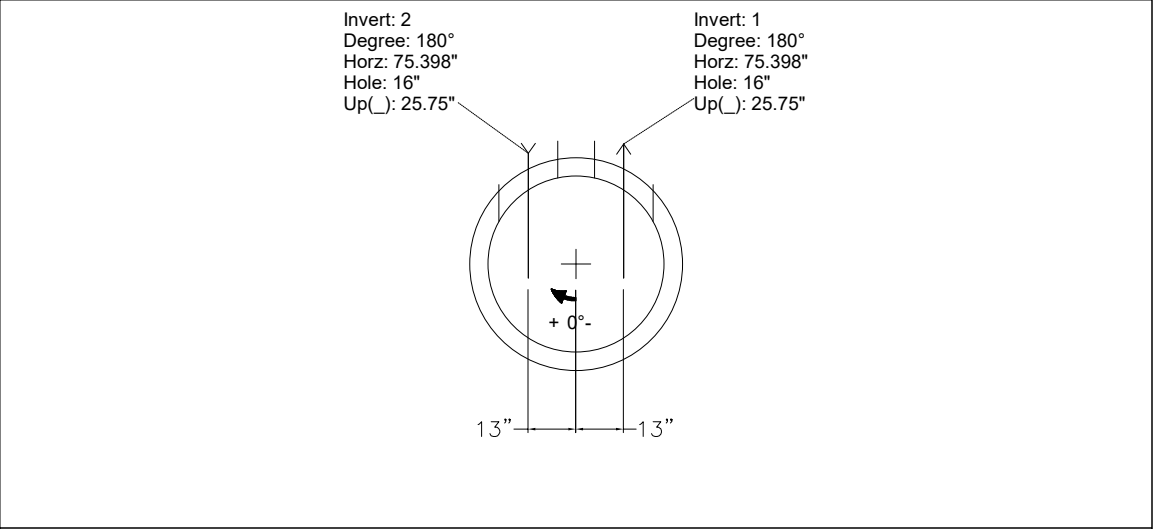
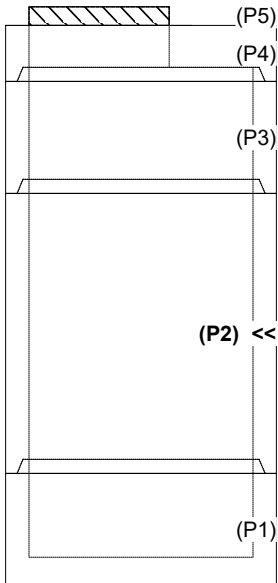
0 lb  
 1413 lb  
 1677 lb  
 3986 lb  
 2588 lb  
 0 lb  
 0 lb  
 0 lb  
 0 lb  
 -----  
 Structure Total: 9664 lb

**Structure Notes:**  
 (4" TALL CASTING PROVIDED BY OTHERS)  
 LIFTING ANCHORS TO BE INSTALLED  
 ON THE OUTSIDE OF THE STRUCTURE  
 ICAST TO INSTALL THE INTERNALS  
 CONTECH'S LOGO AS WELL AS THE  
 INLET AND THE OUTLET MUST BE  
 STENCILED ONTO THE STRUCTURE

Rim: 459.13' Rim to Invert: 6.43' Slack: 10.16" Sump: 51" Step Position:

Position	Elev	Angle	Ext. (cw)	Pipe	Pipe OD	Connector	Hole	Horz Size	Up ( )	Offset
Invert 1	452.7'	180°	104.586"	10" PVC SDR35	10.5"	Hole 16	16"	20.534"	25.75"	13"
Invert 2	452.7'	180°	77.626"	10" PVC SDR35	10.5"	Hole 16	16"	20.534"	25.75"	-13"
Invert 3										
Invert 4										
Invert 5										
Invert 6										
Invert 7										
Invert 8										

**RIGHT-SIDE UP VIEW (int. dimensions)**



Coating (Int): Coating (Ext):	Seam Up: Tongue Seam Dn: Groove	Wall Thickness: 5" Floor Height: 0"	Height (Int): 60" Height (Ext): 60"	Weight (Net): 3986 lb Volume (Net): 1.02cu.yd
----------------------------------	------------------------------------	--	--	--