

Job Name: 26-1858 - 865422 University Of Louisville Health Sciences Bldg  
 Job Location: Louisville, KY  
 Contractor: Contech Engineering Solutions

Plant: Beaver Dam  
 4/13/2026 9:56:40 AM

Tech: J. Coppage  
 PC: C. Goff



**Structure ID: 25-CS-4**

**P1 MH048BA18**

**MH BASE T/n**

P5) 30" - CASTING HEIGHT - 4"	0 lb
P4) 48" - MH FLAT LID w/30in ECC Hole F/G - 12"	1413 lb
P3) 48" - MH RISER NO STEPS T/G - 24"	1677 lb
P2) 48" - MH RISER NO STEPS T/G - 60"	3986 lb
P1) 48" - MH BASE T/n - 18"	2588 lb
1) CVSTENCILING	0 lb
1) ASSEMBLY REQUIRED	0 lb
3) 48" - Conseal CS-102 1.00"	0 lb
2) Hole - 16	0 lb
Structure Total:	9664 lb

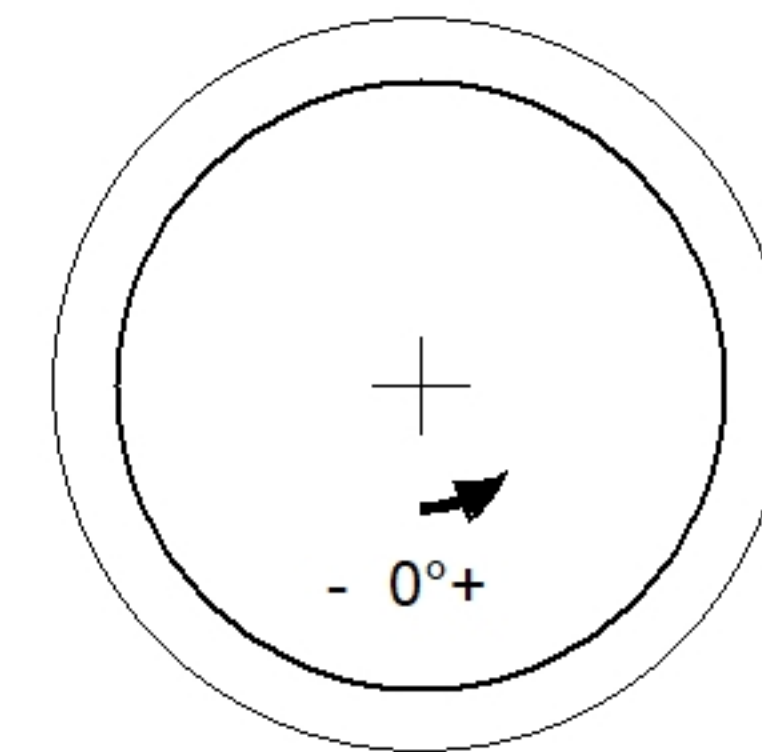
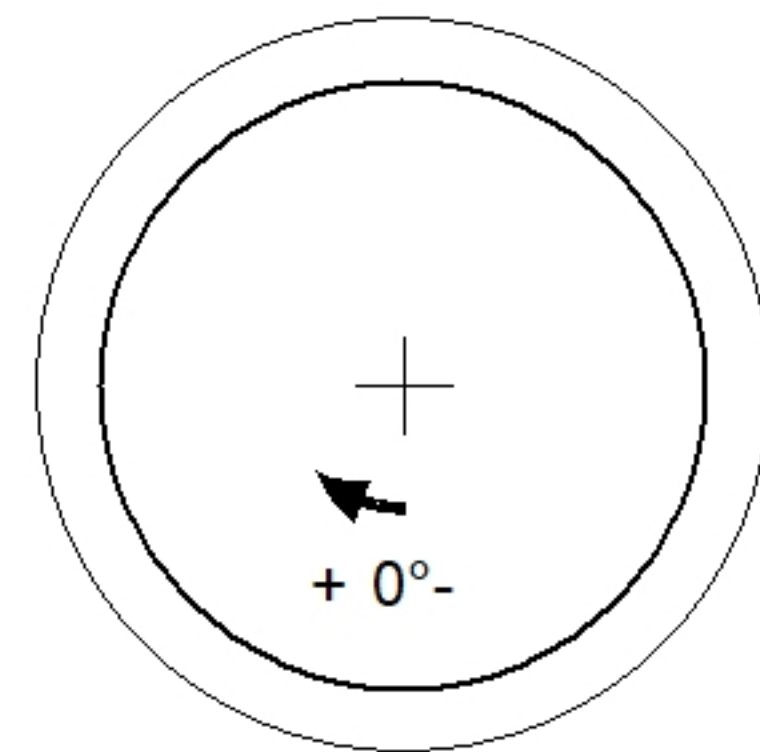
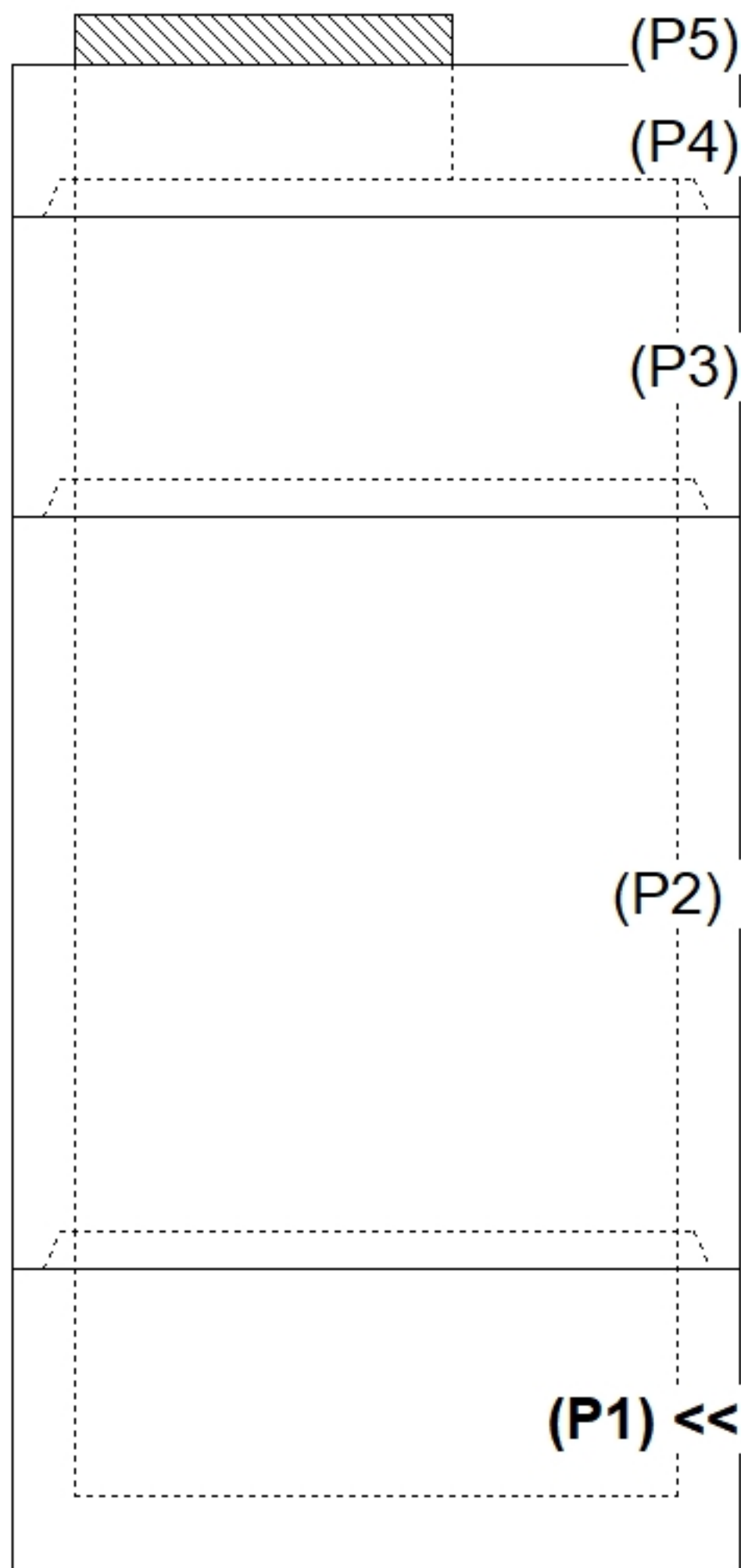
**Structure Notes:**  
 (4" TALL CASTING PROVIDED BY OTHERS)  
  
 LIFTING ANCHORS TO BE INSTALLED ON THE OUTSIDE OF THE STRUCTURE  
  
 ICAST TO INSTALL THE INTERNALS  
  
 CONTECH'S LOGO AS WELL AS THE INLET AND THE OUTLET MUST BE STENCILED ONTO THE STRUCTURE

Rim: 459.13' Rim to Invert: 6.43' Slack: 10.16" Sump: 51" Step Position:

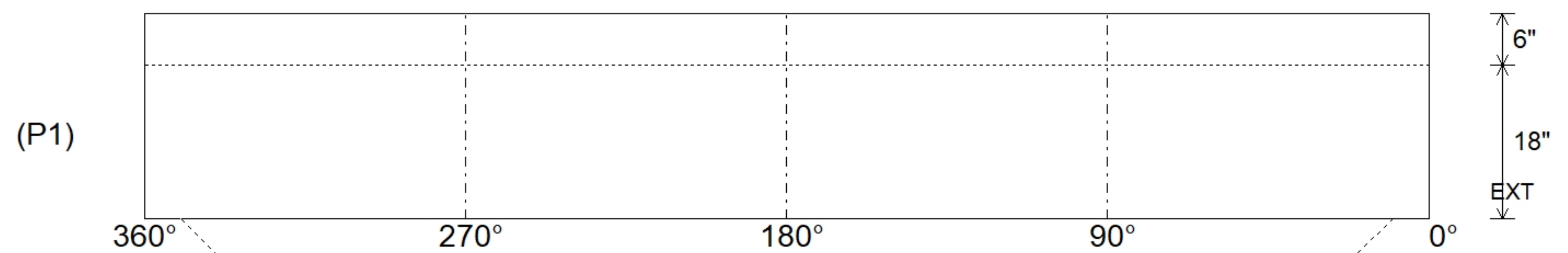
Position	Elev	Angle	Ext. (cw)	Pipe	Pipe OD	Connector	Hole	Horz Size	Up (L)	Offset
Invert 1										
Invert 2										
Invert 3										
Invert 4										
Invert 5										
Invert 6										
Invert 7										
Invert 8										

RIGHT-SIDE UP VIEW (int. dimensions)

UPSIDE-DOWN VIEW (int. dimensions)



INSIDE WALL DIMENSIONS



Coating (Int):  
 Coating (Ext):

Seam Up: Tongue  
 Seam Dn: n/a

Wall Thickness: 5"  
 Floor Height: 6"

Height (Int): 18"  
 Height (Ext): 24"

Weight (Net): 2588 lb  
 Volume (Net): 0.66cu.yd