

**Job Name: 26-1792 888613 Danco Regional Facility**  
**Job Location: Owensboro, KY**  
**Contractor: Contech Engineering Solutions**

PC: C. Goff  
 TECH: S. Felletter  
 Plant: Beaver Dam



Structure ID: **10-CDS4045-8-C**  
 Spec: Storm-Pipe Centered  
 Type: STM.MH  
 Size: 96"

Rim: 395.5'  
 Invert: 390.56'  
 Rim to Invert: 4.94'

Sump: 107.964"  
 Floor (Top): 381.563"  
 Floor Height: 13"

Floor (Bot): 380.48'  
 Overall Height: 14.833"  
 Slack: 2.244"

Structure Notes:  
 4" CASTING BY OTHERS

RISERS 1 & 2 TO BE MECHANICALLY ATTACHED BEFORE INSTALLATION OF INTERNAL MATERIALS

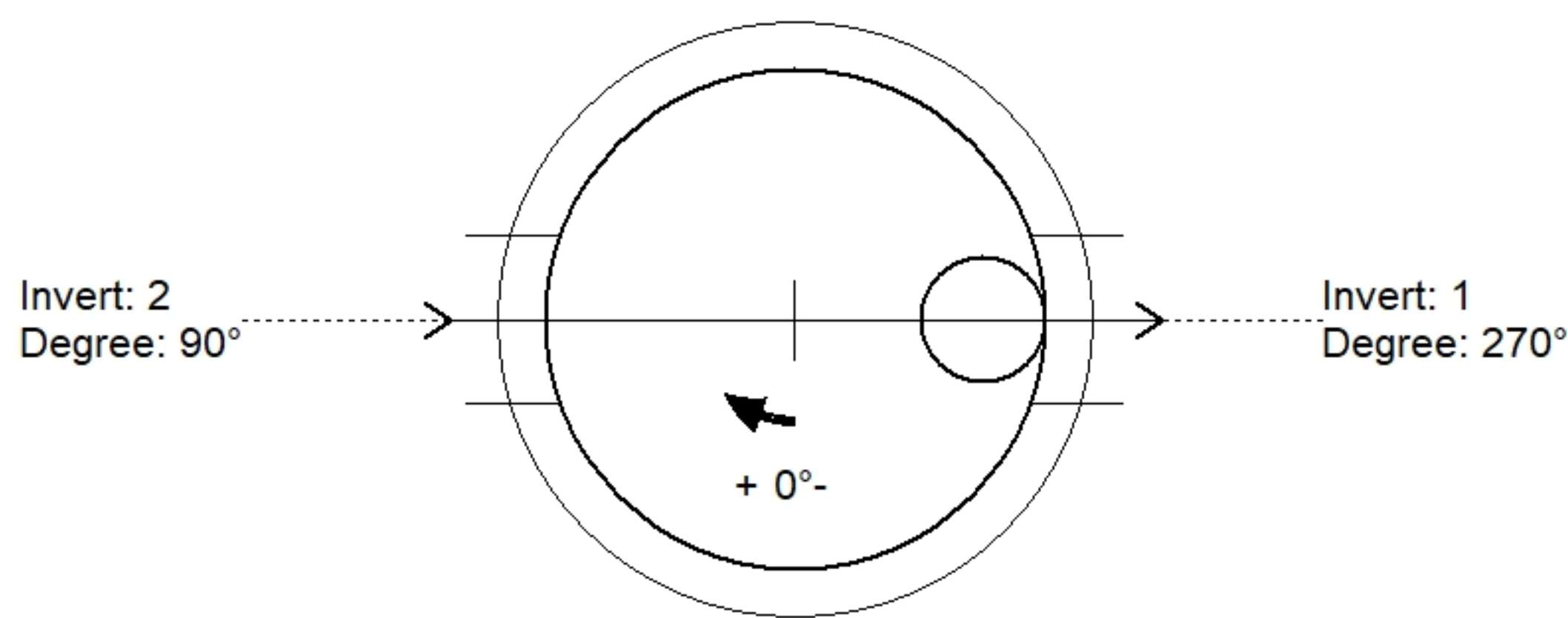
LIFITNG ANCHORS TO BE INSTALLED ON THE OUTSIDE OF THE STRUCTURE

ICAST TO INSTALL THE INTERNALS

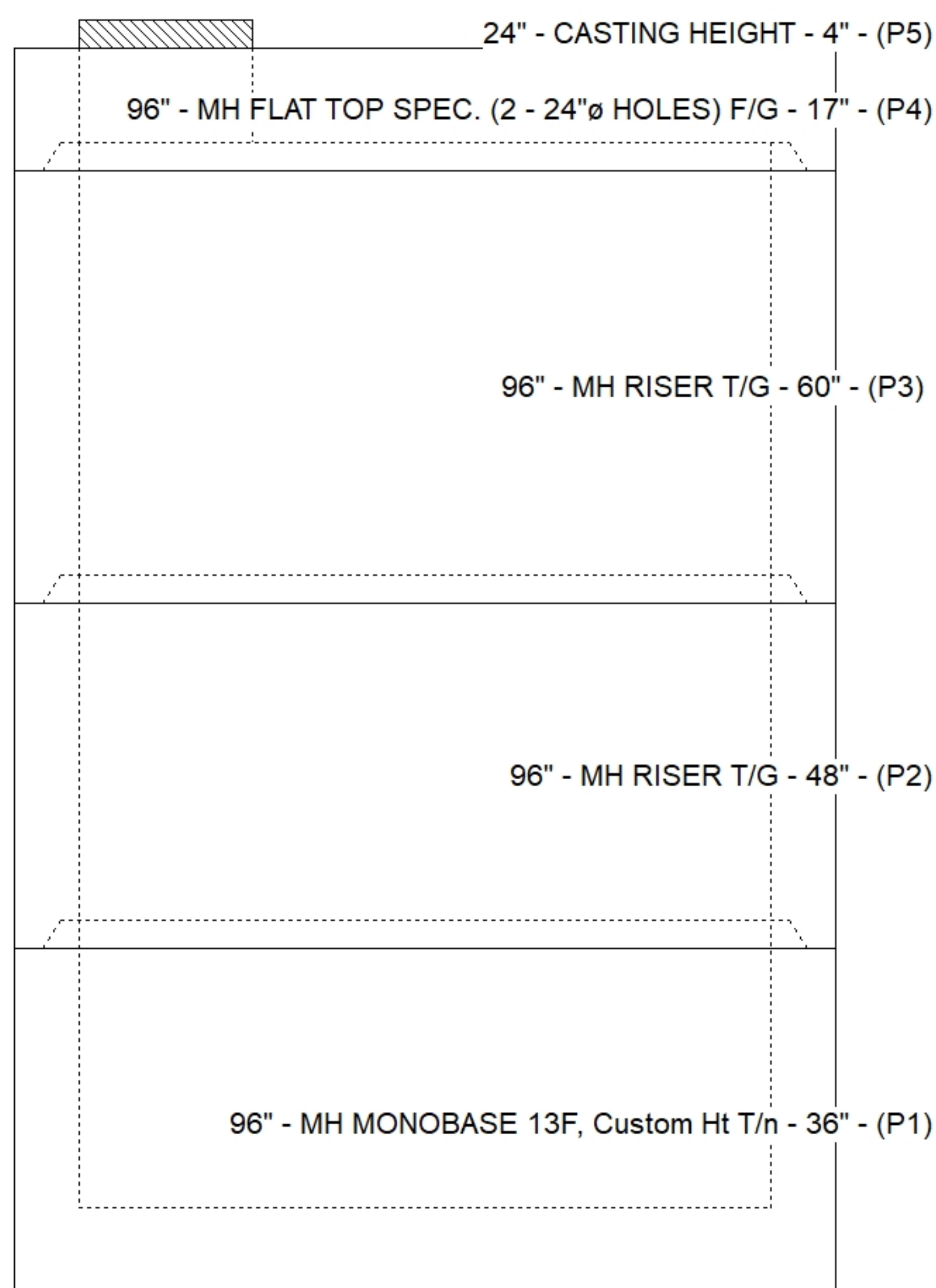
CONTECH'S LOGO AS WELL AS THE INLET AND OUTLET MUST BE STENCILED ONTO THE STRUCTURE

STRUCTURE SUMMARY:

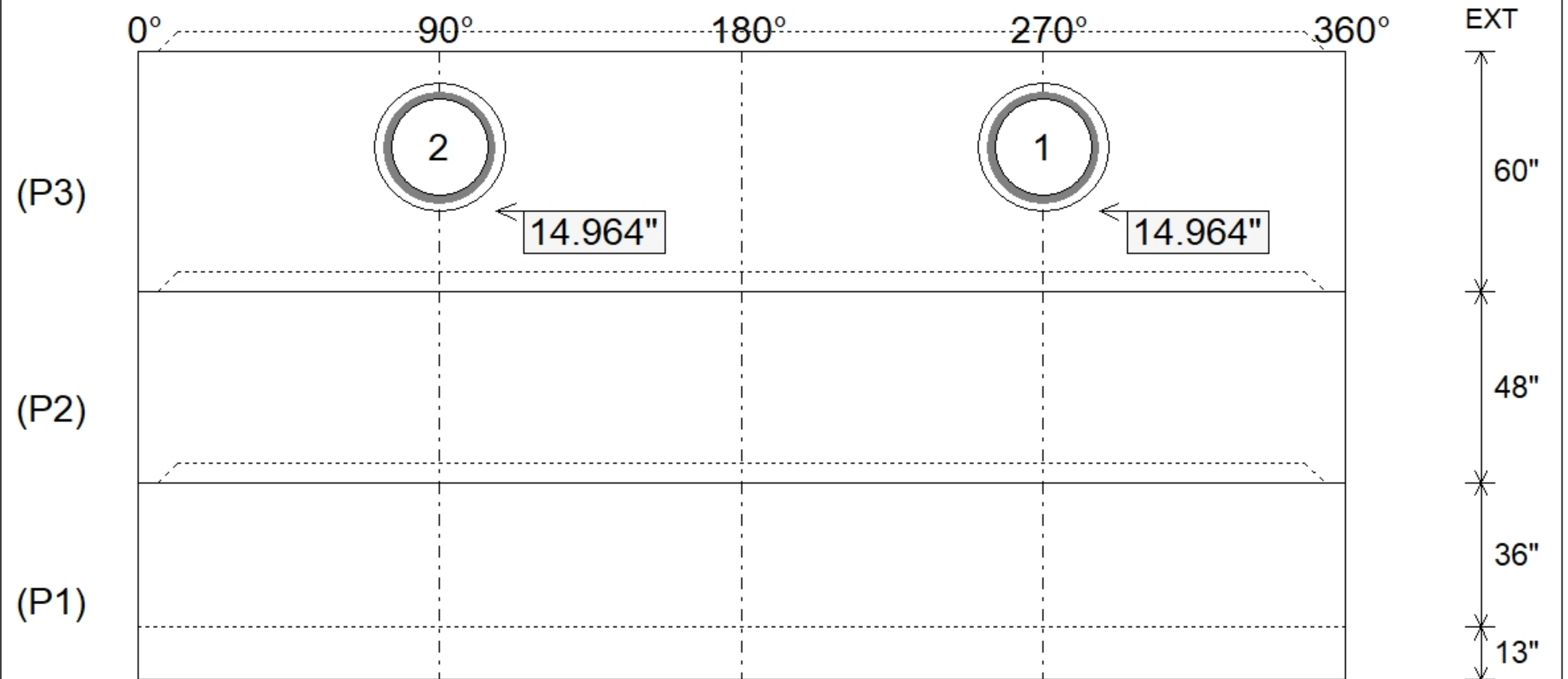
P5) 24" - CASTING HEIGHT - 4"	0 lb
P4) 96" - MH FLAT TOP SPEC. (2 - 24"Ø HOLES) F/G - 17"	10015 lb
P3) 96" - MH RISER T/G - 60"	13712 lb
P2) 96" - MH RISER T/G - 48"	11958 lb
P1) 96" - MH MONOBASE 13F, Custom Ht T/n - 36"	20103 lb
1) CVSTENCILING	0 lb
1) ASSEMBLY REQUIRED	0 lb
3) 96" - Conseal CS-102 1.00"	0 lb
2) Hole - 32	0 lb
<b>Structure Total:</b>	<b>55788 lb</b>



Position	Elev	Angle	Pipe	Pipe OD	Hole	Connector	Up (')	Ref
Rim	395.5'							
Reducer								
Invert 1	390.56'	270°	24" HDPE	27.8"	32"	Hole 32	14.964"	P3
Invert 2	390.56'	90°	24" HDPE	27.8"	32"	Hole 32	14.964"	P3
Invert 3								
Invert 4								
Invert 5								
Invert 6								
Invert 7								
Invert 8								



Default - Interior Dimensions



Submittal Drawing  
 4/7/2026 11:31:10 AM

SUBMITTAL  
 APPROVED BY: