



Structure ID: QL2 HW

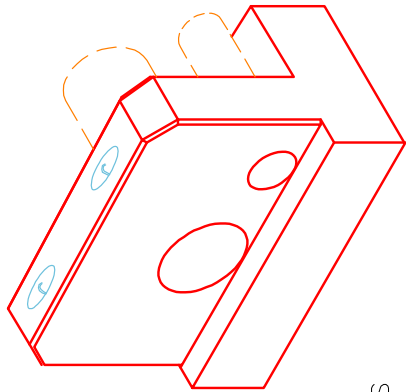
P1 HWCUSTOM

12" - STRAIGHT HEADWALL CUSTOM F/F

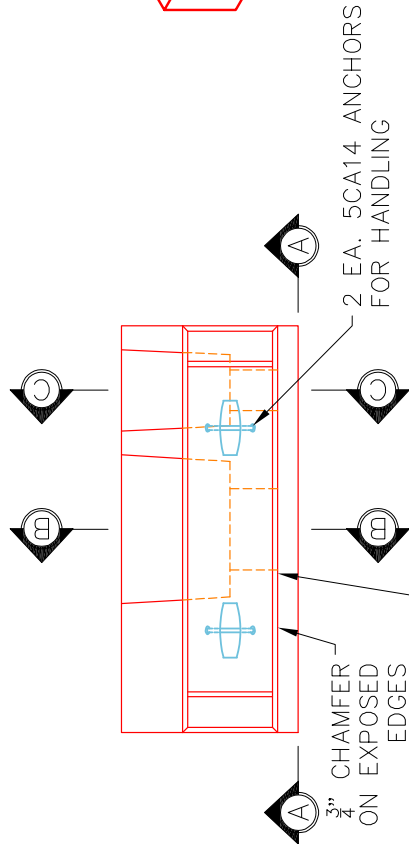
NOTES:

1. CONCRETE: 4500 PSI @ 28 DAYS.
2. REINFORCING: #5 BAR @ 12" C/C E.W. - GRADE 60, (WITH 2" CONCRETE COVER MINIMUM)
3. REINFORCING BARS TO BE TACK WELDED OR TIED.
4. DRAWING TO BE USED IN CONJUNCTION WITH KYTC STD. DRAWING RDH-020-02 AND THE STANDARD SPECIFICATIONS FOR ROAD AND BRIDGE CONSTRUCTION.
5. 3/4" CHAMFER ON ALL EXPOSED EDGES.
6. WEIGHT: 4,500 LBS.

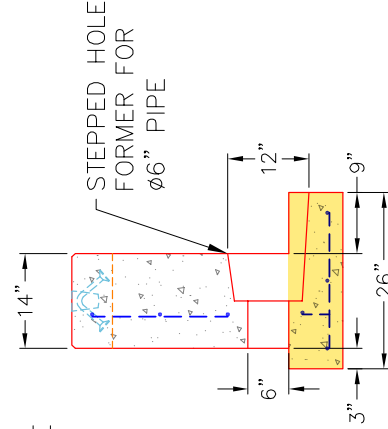
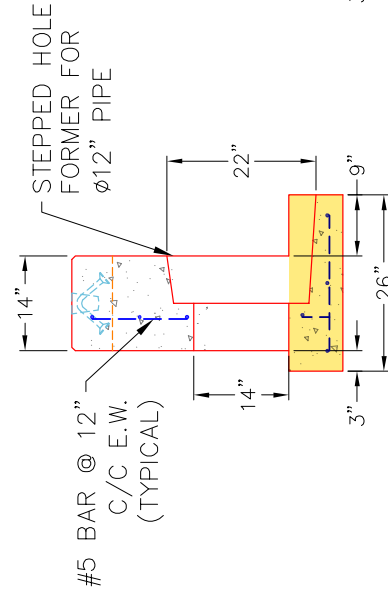
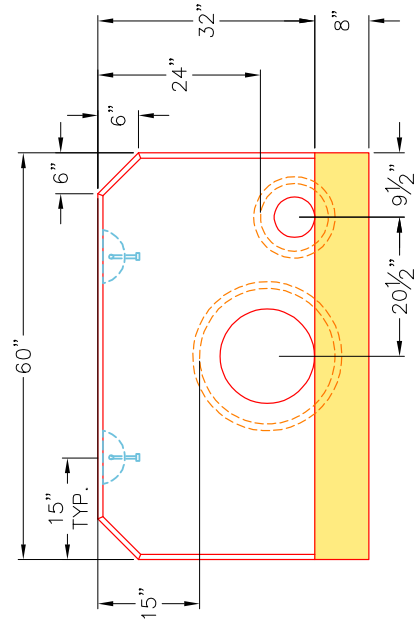
FIRST POUR: 935 LBS
SECOND POUR: 3,565 LBS



ISOMETRIC VIEW



STEEL FORM FINISH ON OUTSIDE WALL





Structure ID: QL2 HW

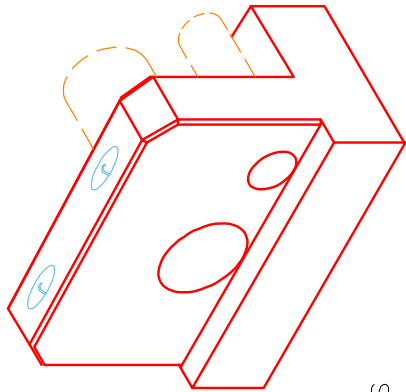
P1 HWCUSTOM

12" - STRAIGHT HEADWALL CUSTOM F/F

NOTES:

1. CONCRETE: 4500 PSI @ 28 DAYS.
2. REINFORCING: #5 BAR @ 12" C/C E.W. - GRADE 60, (WITH 2" CONCRETE COVER MINIMUM)
3. REINFORCING BARS TO BE TACK WELDED OR TIED.
4. DRAWING TO BE USED IN CONJUNCTION WITH KYTC STD. DRAWING RDH-020-02 AND THE STANDARD SPECIFICATIONS FOR ROAD AND BRIDGE CONSTRUCTION.
5. 3/4" CHAMFER ON ALL EXPOSED EDGES.
6. WEIGHT: 4,500 LBS.

FIRST POUR: 935 LBS
SECOND POUR: 3,565 LBS



ISOMETRIC VIEW

