



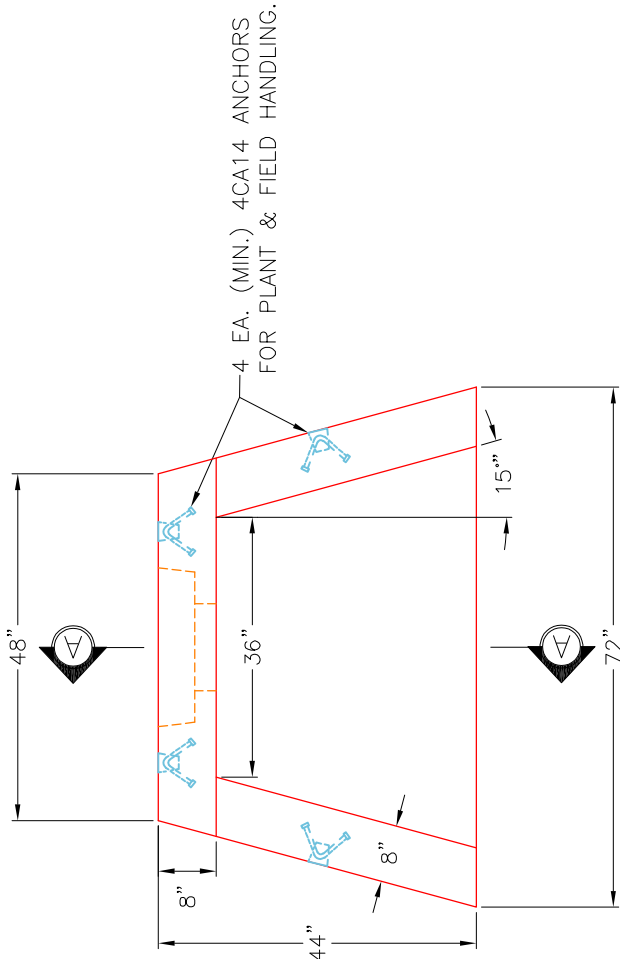
Structure ID: QL1 HW

P1 HWCUSTOM

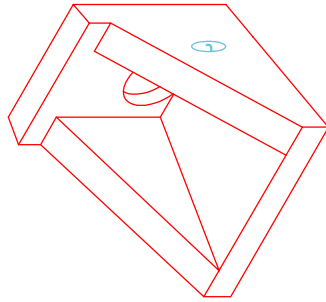
12" - HW BW w/FLAT BOTTOM CUSTOM F/F

NOTES:

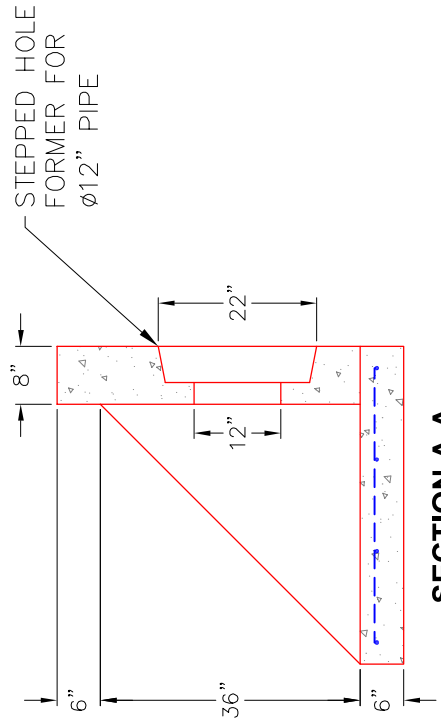
1. CONCRETE: 4500 PSI @ 28 DAYS.
2. REINFORCING: #4 BAR @ 12" C/C E.W. - GRADE 60, (WITH 2" CONCRETE COVER MINIMUM)
3. REINFORCING BARS TO BE TACK WELDED OR TIED.
4. WEIGHT: 1,380 LBS.



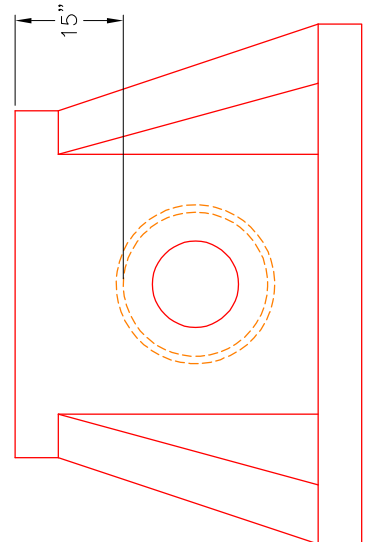
PLAN VIEW



ISOMETRIC VIEW



SECTION A-A



FRONT VIEW