

Job Name: 26-1765 ADS Bainbridge Flightline Park
Job Location: Dayton, OH
Contractor: ADS Advanced Drainage Systems, Inc.

PC: C. Goff
 TECH: S. Felletter
 Plant: Beaver Dam



Structure ID: S3

Spec: Storm-Pipe Centered
 Type: STM.MH
 Size: 36"

Rim: 742.52'
 Invert: 738.69'
 Rim to Invert: 3.83'

Sump: 60"
 Floor (Top): 733.69'
 Floor Height: 6"

Floor (Bot): 733.19'
 Overall Height: 9.333'
 Slack: -0.04"

Structure Notes:

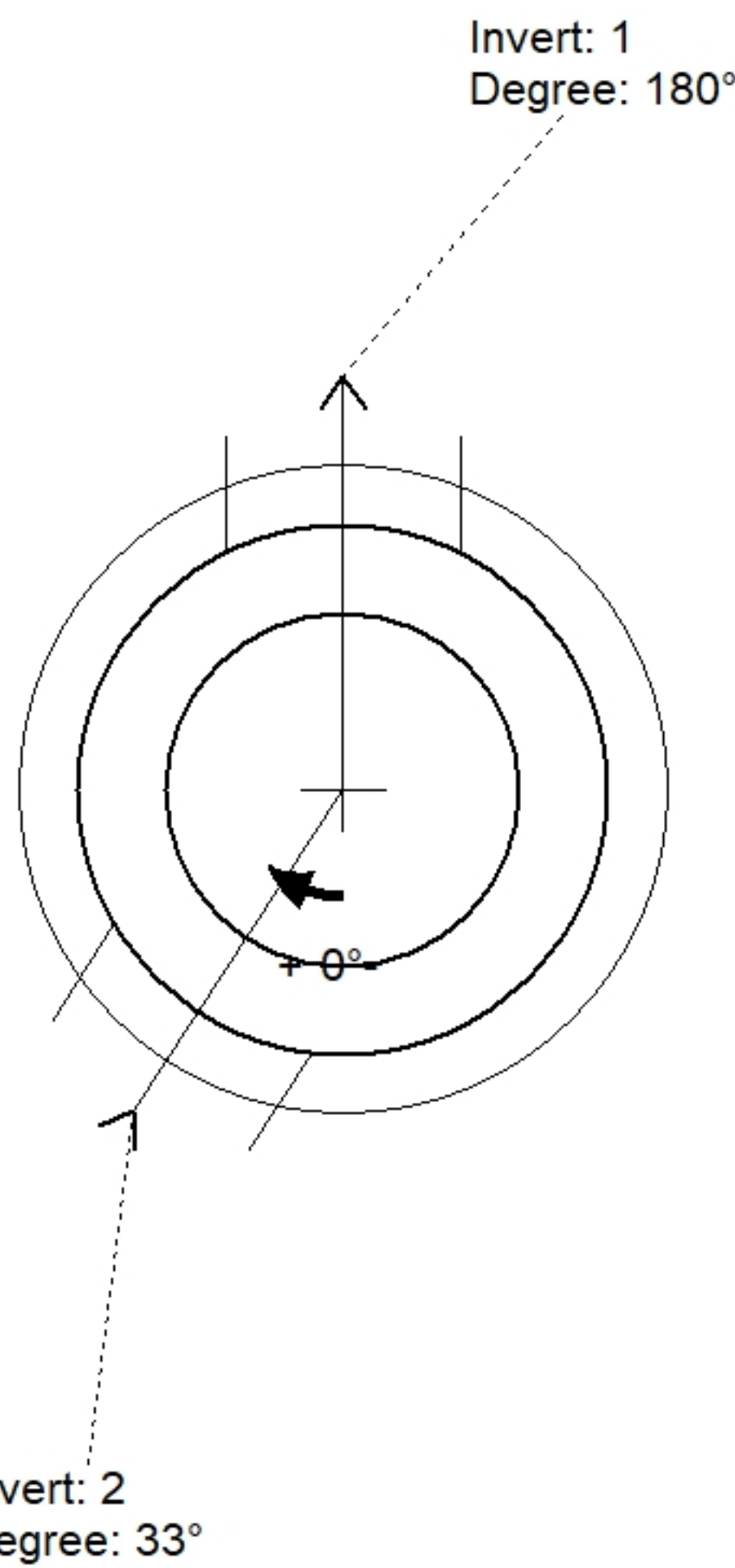
1. PER ASTM C478 SPECIFICATIONS.
2. CONCRETE = 4,000 PSI AT 28 DAYS.
3. CASTING BY ICAST (HOE MC-375 F/C "STORM")
4. LIFTING ANCHORS TO BE INSTALLED ON THE OUTSIDE OF THE STRUCTURE

REINFORCING PER ASTM A615 (GRADE 60).
 - TOP SLAB (As .62) #5 BARS AT 6" C.C.E.W..
 - RISER/WALLS (As .12)
 - FLOOR (As .31) #5 BARS AT 12" C.C.E.W.

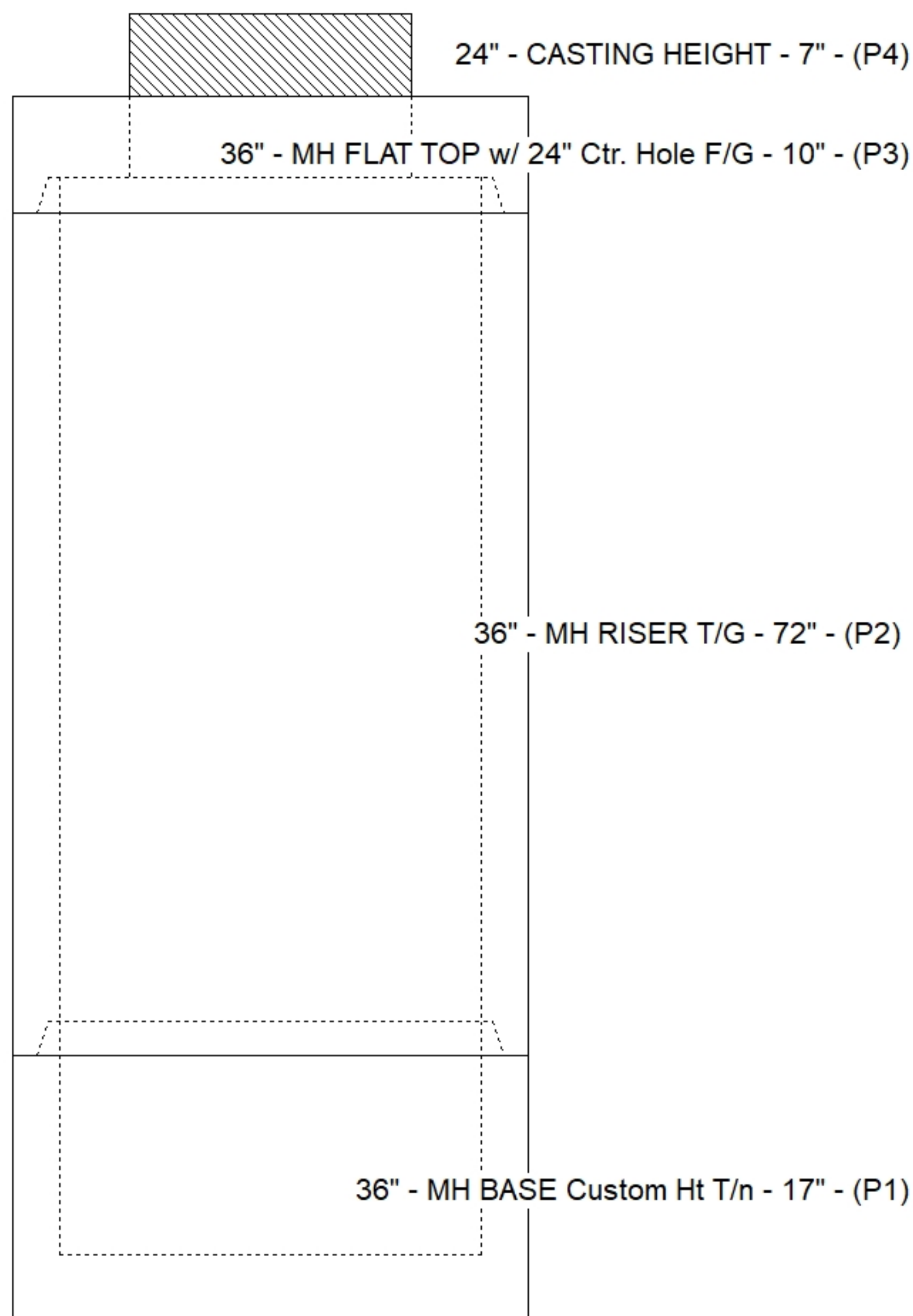
STRUCTURE SUMMARY:

- P4) 24" - CASTING HEIGHT - 7" 0 lb
- P3) 36" - MH FLAT TOP w/ 24" Ctr. Hole F/G - 10" 896 lb
- P2) 36" - MH RISER T/G - 72" 2898 lb
- P1) 36" - MH BASE Custom Ht T/n - 17" 1483 lb
- 1) JOINT WRAP - 0.065"x6"x50' CONSEAL CS212 0 lb
- 1) JOINT WRAP PRIMER - CONSEAL CS-75 (1 gal.) 0 lb
- 1) ASSEMBLY REQUIRED 0 lb
- 1) CASTING - HOE MC-375 F/C Storm 271 lb
- 2) 36" - Conseal CS-102 1.00" (Double) 0 lb
- 2) Hole - 16 0 lb

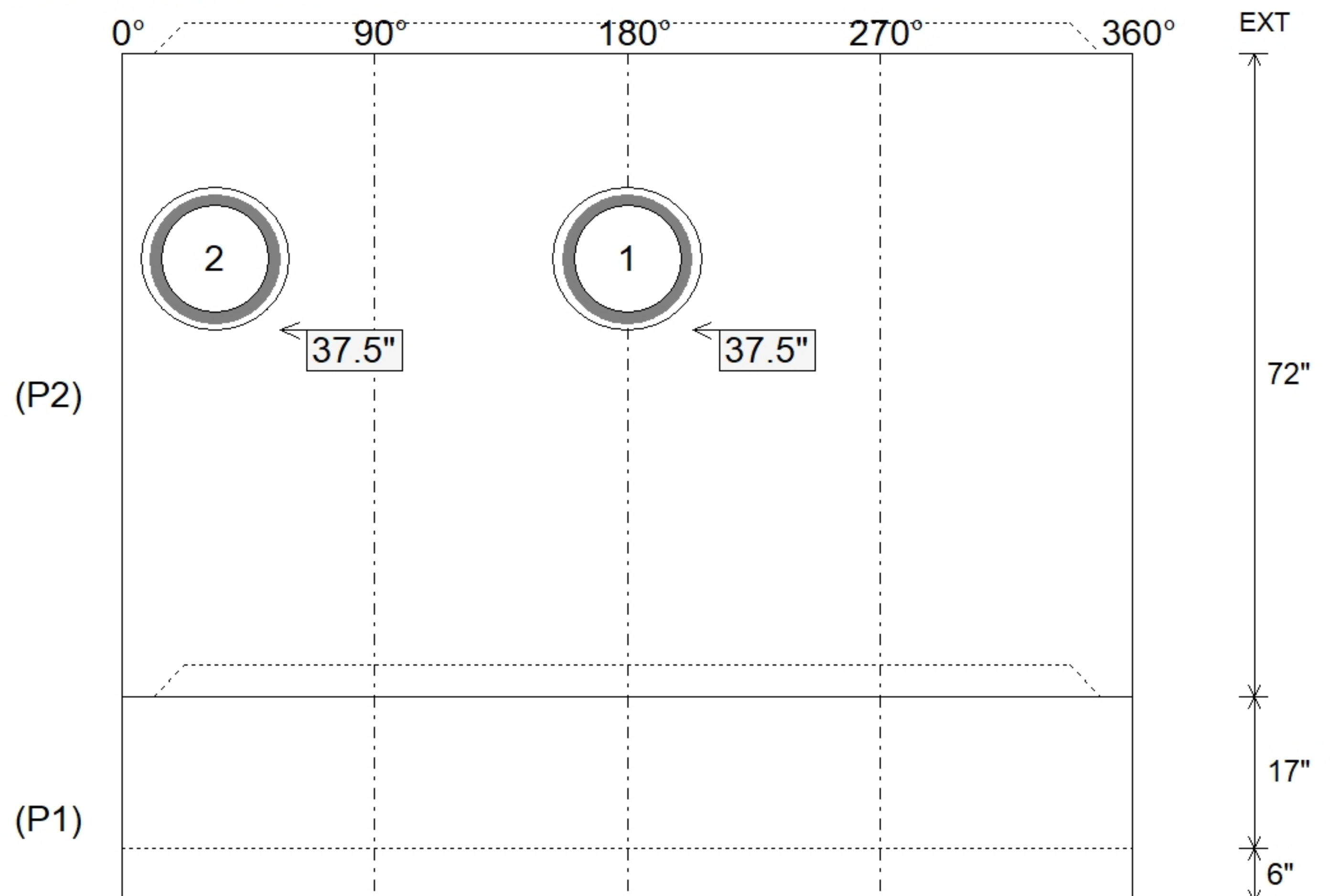
Structure Total: 5548 lb



Position	Elev	Angle	Pipe	Pipe OD	Hole	Connector	Up (")	Ref
Rim	742.52'							
Reducer								
Invert 1	738.69'	180°	12" ADS N-12	14.5"	16"	Hole 16	37.5"	P2
Invert 2	738.69'	33°	12" ADS N-12	14.5"	16"	Hole 16	37.5"	P2
Invert 3								
Invert 4								
Invert 5								
Invert 6								
Invert 7								
Invert 8								



Default - Interior Dimensions



Submittal Drawing
 4/15/2026 8:05:41 AM

SUBMITTAL
 APPROVED BY: