

Job Name: 26-1765 ADS Bainbridge Flightline Park  
 Job Location: Dayton, OH  
 Contractor: ADS Advanced Drainage Systems, Inc.

Plant: Beaver Dam  
 4/13/2026 10:15:32 AM

Tech: S. Felletter  
 PC: C. Goff



**Structure ID: S3**

**P2 MH036RS72**

**MH RISER T/G**

- P4) 24" - CASTING HEIGHT - 7"
- P3) 36" - MH FLAT TOP w/ 24" Ctr. Hole F/G - 10"
- P2) 36" - MH RISER T/G - 72"
- P1) 36" - MH BASE Custom Ht T/n - 17"
- 1) JOINT WRAP - 0.065"x6"x50' CONSEAL CS212
- 1) JOINT WRAP PRIMER - CONSEAL CS-75 (1 gal.)
- 1) ASSEMBLY REQUIRED - NO INSTALL
- 1) CASTING - HOE MC-375 F/C Storm
- 2) 36" - Conseal CS-102 1.00" (Double)
- 2) Hole - 16

0 lb  
 896 lb  
 2898 lb  
 1483 lb  
 0 lb  
 0 lb  
 0 lb  
 271 lb  
 0 lb  
 0 lb  
 -----  
 Structure Total: 5548 lb

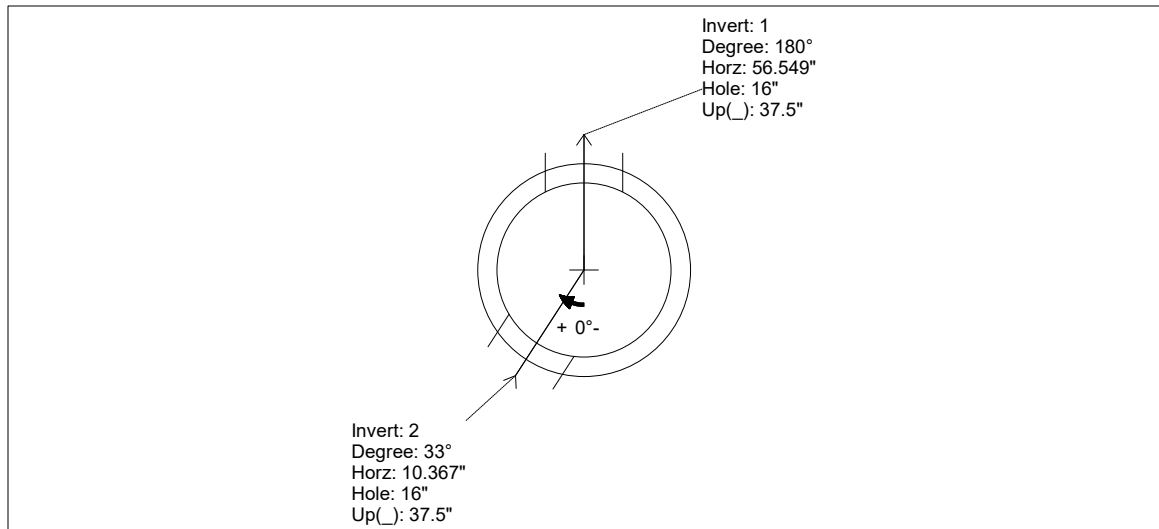
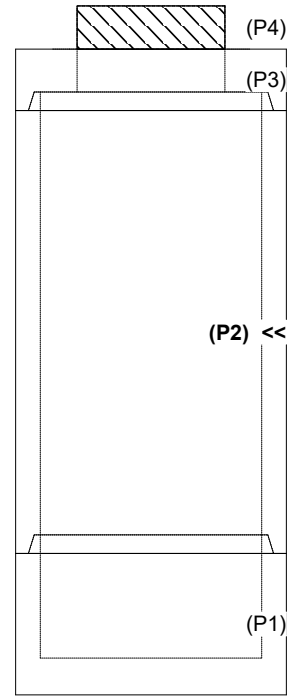
**Structure Notes:**  
 1. PER ASTM C478 SPECIFICATIONS.  
 2. CONCRETE = 4,000 PSI AT 28 DAYS.  
 3. CASTING BY ICAST (HOE MC-375 F/C "STORM")  
 4. LIFTING ANCHORS TO BE INSTALLED ON THE OUTSIDE OF THE STRUCTURE

REINFORCING PER ASTM A615 (GRADE 60).  
 - TOP SLAB (As .62) #5 BARS AT 6" C.C.E.W..  
 - RISER/WALLS (As .12)  
 - FLOOR (As .31) #5 BARS AT 12" C.C.E.W.

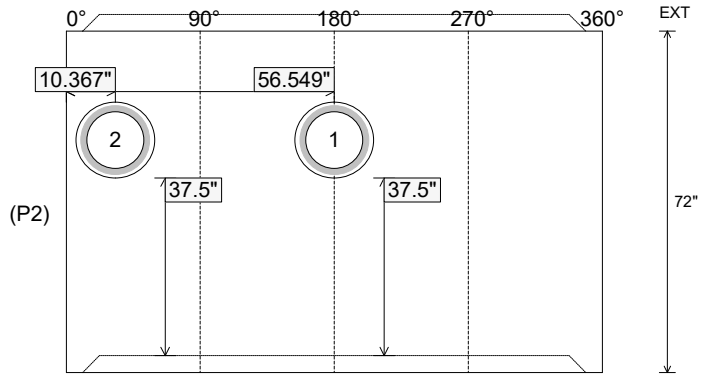
Rim: 742.52' Rim to Invert: 3.83' Slack: -0.04" Sump: 60" Step Position:

Position	Elev	Angle	Ext. (cw)	Pipe	Pipe OD	Connector	Hole	Horz Size	Up ( )	Offset
Invert 1	738.69'	180°	69.115"	12" ADS N-12	14.5"	Hole 16	16"	16.58"	37.5"	0"
Invert 2	738.69'	33°	12.671"	12" ADS N-12	14.5"	Hole 16	16"	16.58"	37.5"	0"
Invert 3										
Invert 4										
Invert 5										
Invert 6										
Invert 7										
Invert 8										

**RIGHT-SIDE UP VIEW (int. dimensions)**



**INSIDE WALL DIMENSIONS**



Coating (Int): Coating (Ext):	Seam Up: Tongue Seam Dn: Groove	Wall Thickness: 4" Floor Height: 0"	Height (Int): 72" Height (Ext): 72"	Weight (Net): 2898 lb Volume (Net): 0.74cu.yd
----------------------------------	------------------------------------	--	--	--