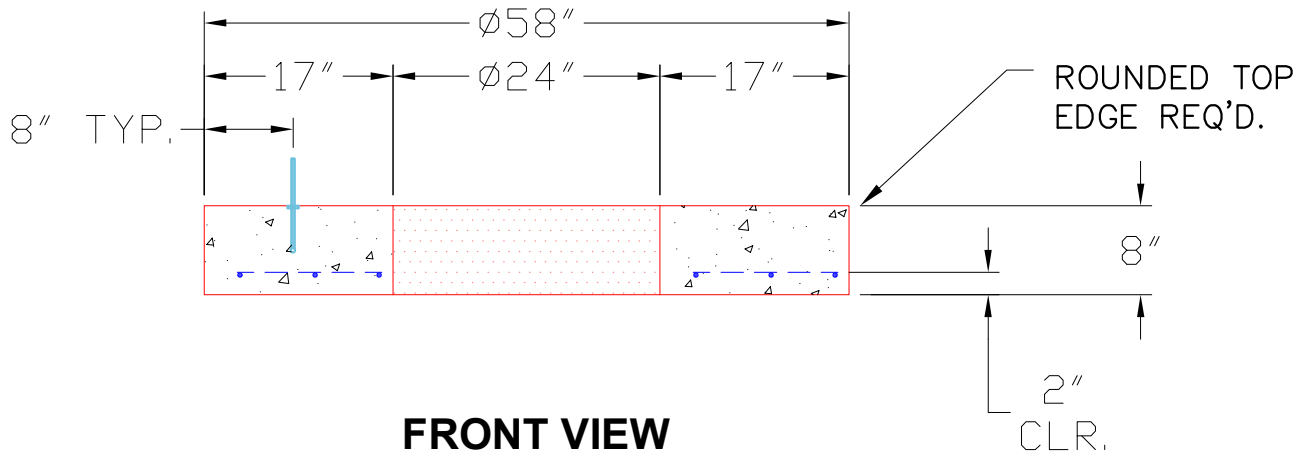
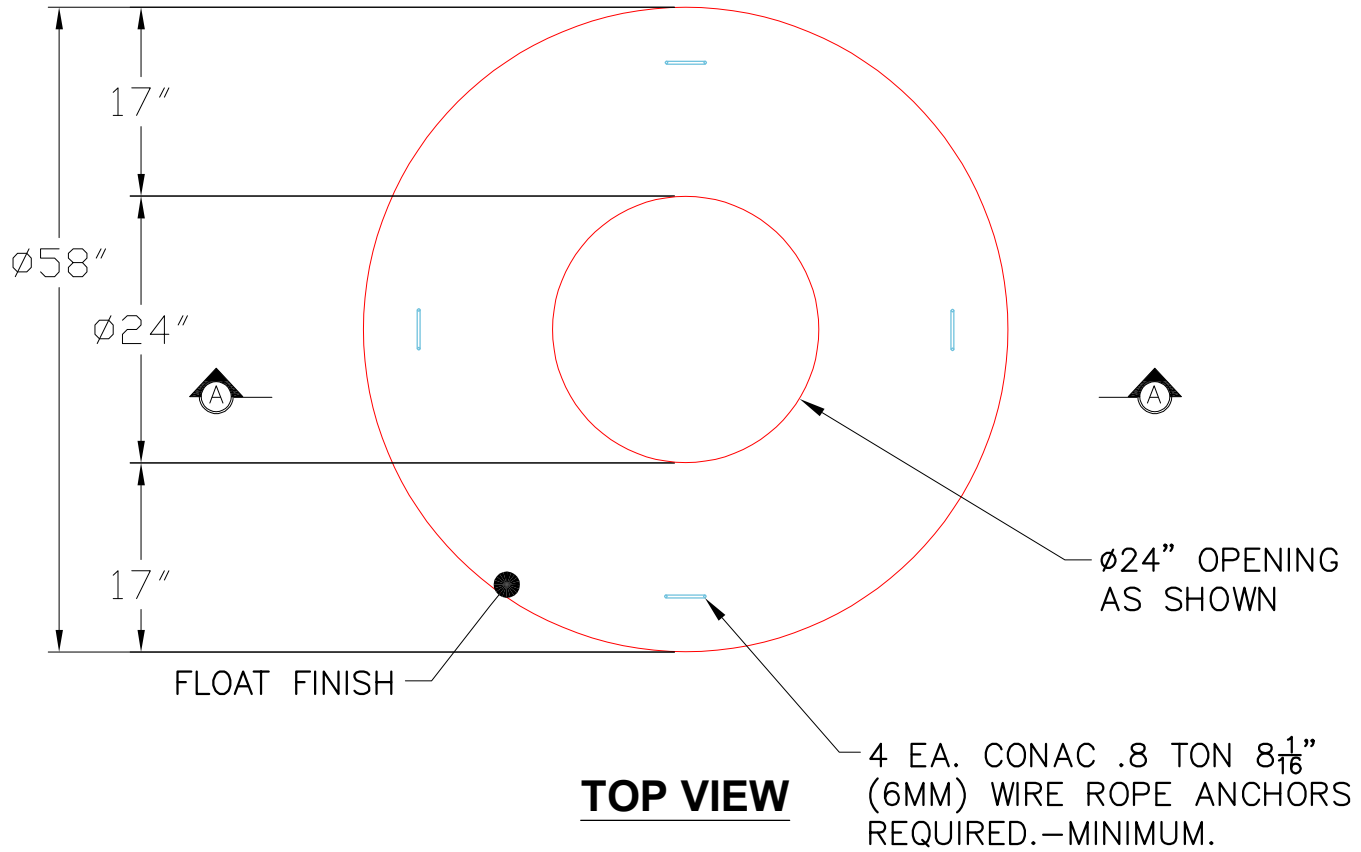


THIS DRAWING IS INTENDED TO BE PRINTED IN COLOR.



NOTES:

1. MANUFACTURED TO ASTM C-478 (LATEST REVISION).
2. CONCRETE: 5,000 PSI AT 28 DAYS.
3. REINFORCING: #4 BAR @ 9" O.C. E.W. (GRADE 60).
4. WEIGHT: 1,470 LBS

REVISIONS	
REV. Δ DATE:	NO REVISIONS TO DATE.



SUBMITTAL DRAWING: QL2 TOP SLAB		
CUSTOMER: ADS ADVANCED DRAINAGE SYSTEMS, INC.		
PROJECT: ADS LOURDES CANCER CENTER		
STRUCTURE: QL2 TOP SLAB		
SALES ORDER NO: 26-1740		
PE: C. GOFF	DRAWN BY: S. FELLETTER	
DATE: 04/08/26	SCALE: NTS	PG. 1 of 1