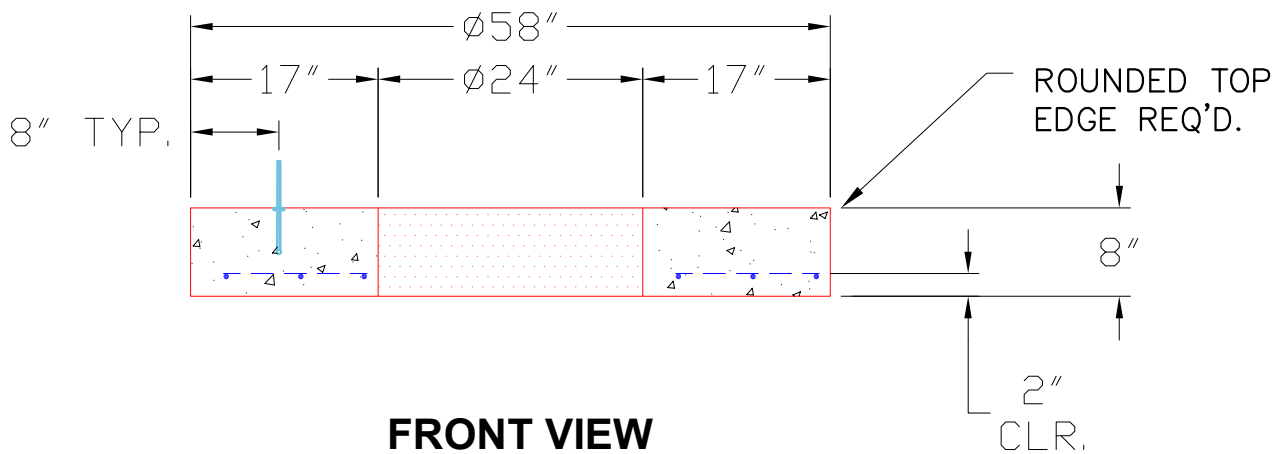
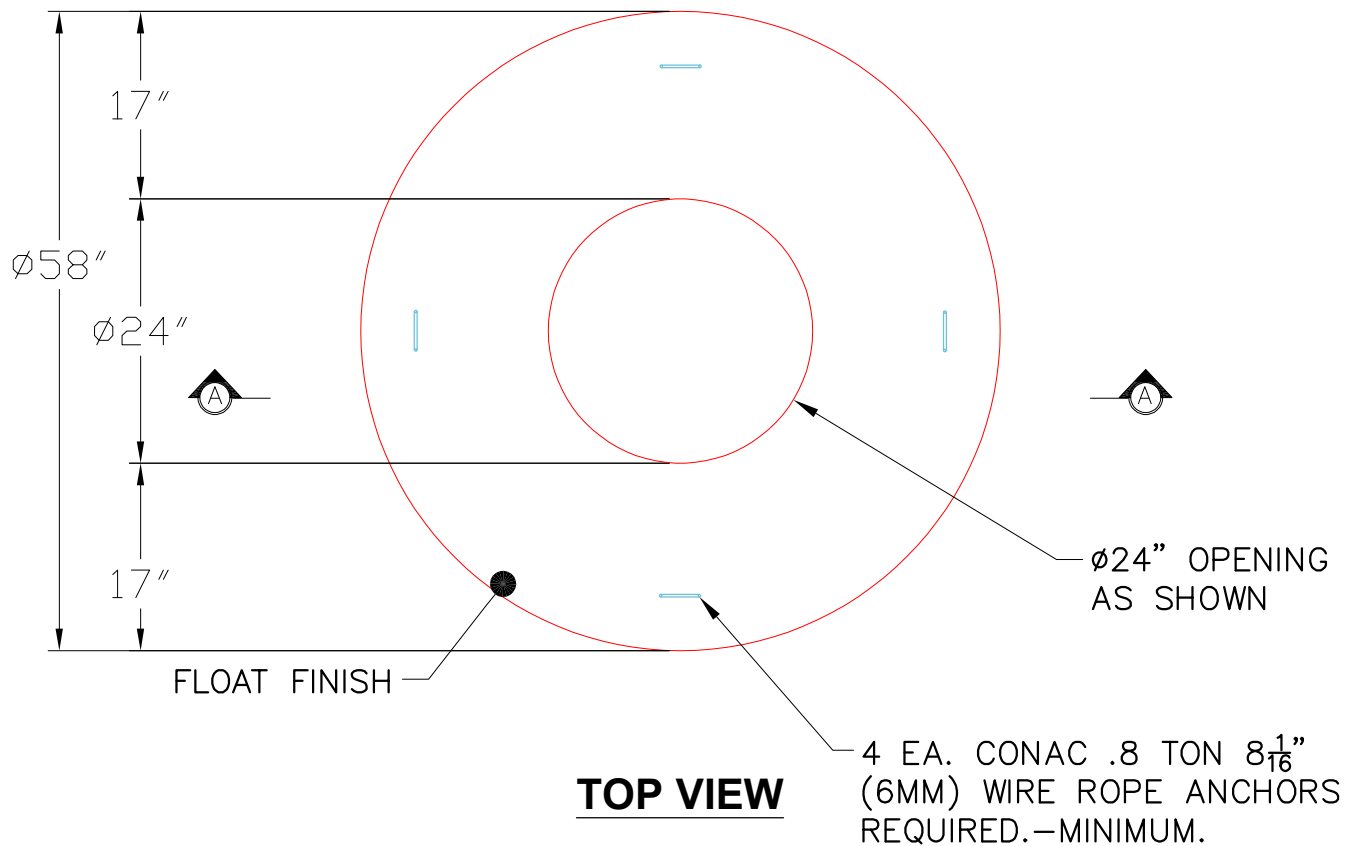



THIS DRAWING IS INTENDED TO BE PRINTED IN COLOR.



**NOTES:**

1. MANUFACTURED TO ASTM C-478 (LATEST REVISION).
2. CONCRETE: 5,000 PSI AT 28 DAYS.
3. REINFORCING: #4 BAR @ 9" O.C. E.W. (GRADE 60).

<b>PRODUCTION WORK ORDER</b>		PRODUCT I.D.: MH06LD08CC	DESCRIPTION: 48"ø X 8" MH TOP SLAB W/ ø24" CONCENTRIC OPENING	
	<b>QUALITY CONTROL CHECKLIST</b>		PRODUCT VIEW: RIGHT SIDE UP	
	<input type="checkbox"/> ALL DIMENSIONS CORRECT.		CUSTOMER: ADS ADVANCED DRAINAGE SYSTEMS, INC.	
	<input type="checkbox"/> LIFTERS INSTALLED.		PLANT: BEAVER DAM, KY.	
	<input type="checkbox"/> HOLE LOCATION CORRECT.		PROJECT: ADS LOURDES CANCER CENTER	
	<input type="checkbox"/> REINFORCING CORRECT.		WEIGHT: 1,470 LBS.	
	<input type="checkbox"/> FINISH ON SLAB SURFACE UNIFORM.		STRUCTURE: QL2 TOP SLAB	
<input type="checkbox"/> OUTSIDE TOP EDGE TROWELLED.		TOP SECTION JOINT: N/A		
<input type="checkbox"/> FLAT BOTTOM.		QUOTE/SALES ORDER NO: 26-1740		
QC CHECK INITIALS:		PC: C. GOFF		
		DRAWING: S. FELLETTA		
		DATE: 04/10/26		
		SCALE: NTS		
		PG. 1 of 1		