

**Structure ID: Storage MH**

**P1 MH048BA36**

**MH BASE T/n**

|   |  |
|---|--|
| P7) 30" - CASTING HEIGHT - 6"<br>P6) 48" - MH FLAT LID w/30in ECC Hole F/G - 12"<br>P5) 48" - MH RISER T/G - 24"<br>P4) 48" - MH RISER T/G - 60"<br>P3) 48" - MH RISER T/G - 72"<br>P2) 48" - MH RISER T/G - 72"<br>P1) 48" - MH BASE T/n - 36"<br>1) JOINT WRAP - 0.065"x6"x50' CONSEAL CS212<br>1) JOINT WRAP PRIMER - CONSEAL CS-75 (1 gal.)<br>1) CASTING - HOE MC-680 F/C Plain<br>5) 48" - Conseal CS-102 1.00"<br>2) Z-Lok - C107-6<br>20) MH Step ML-10-TDS-NCR - 10" | 0 lb<br>1413 lb<br>1677 lb<br>4192 lb<br>5030 lb<br>4947 lb<br>3845 lb<br>0 lb<br>0 lb<br>0 lb<br>659 lb<br>0 lb<br>2 lb<br>0 lb<br>-----<br>Structure Total: 21764 lb |
|---|--|

**Structure Notes:**

1. PER ASTM C478 SPECIFICATIONS.
2. CONCRETE = 4,000 PSI AT 28 DAYS.
3. NO INVERT CHANNEL.
4. CASTING BY ICAST (HOE MC-680 F/C PLAIN).

REINFORCING PER ASTM A615 (GRADE 60).

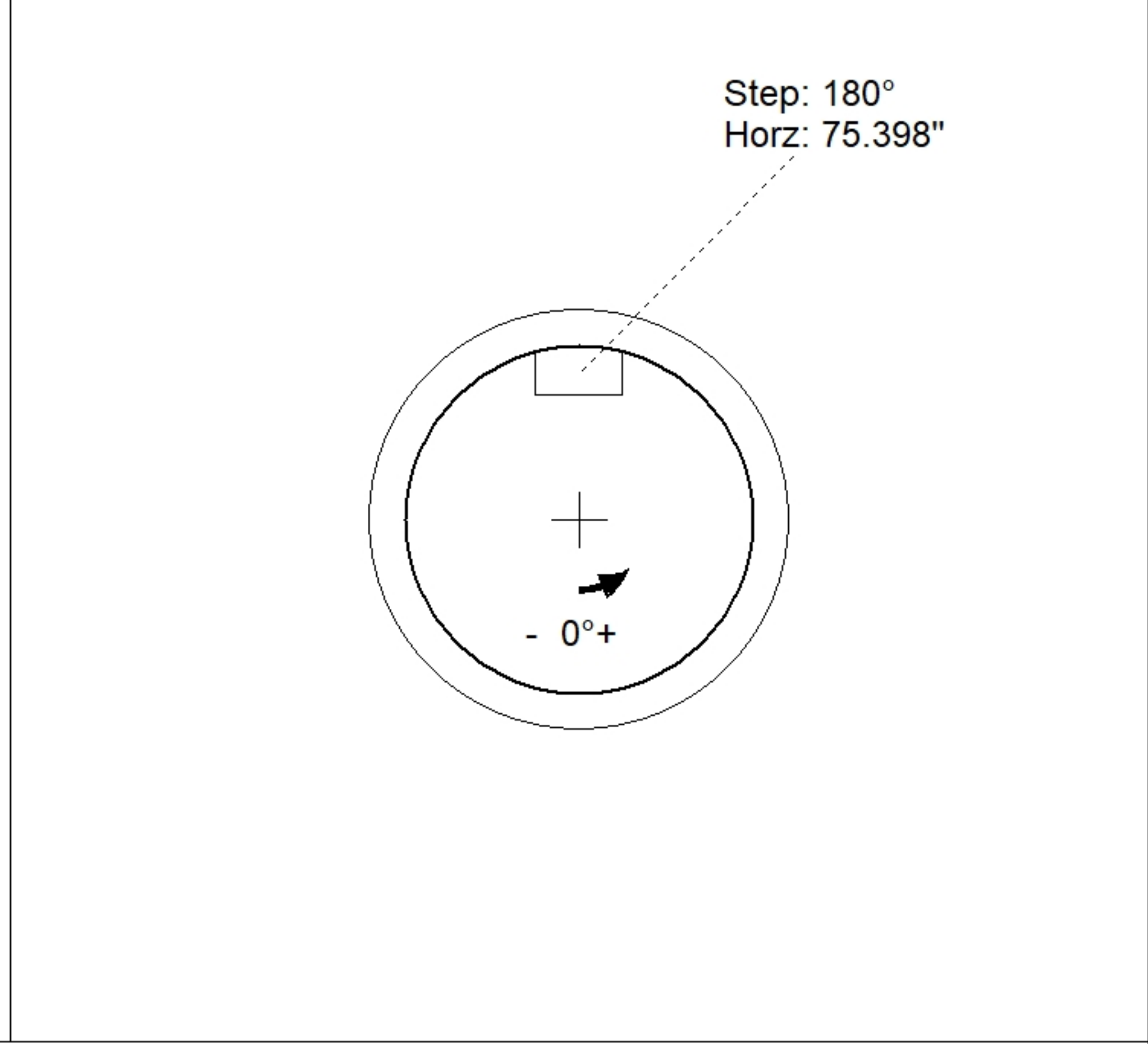
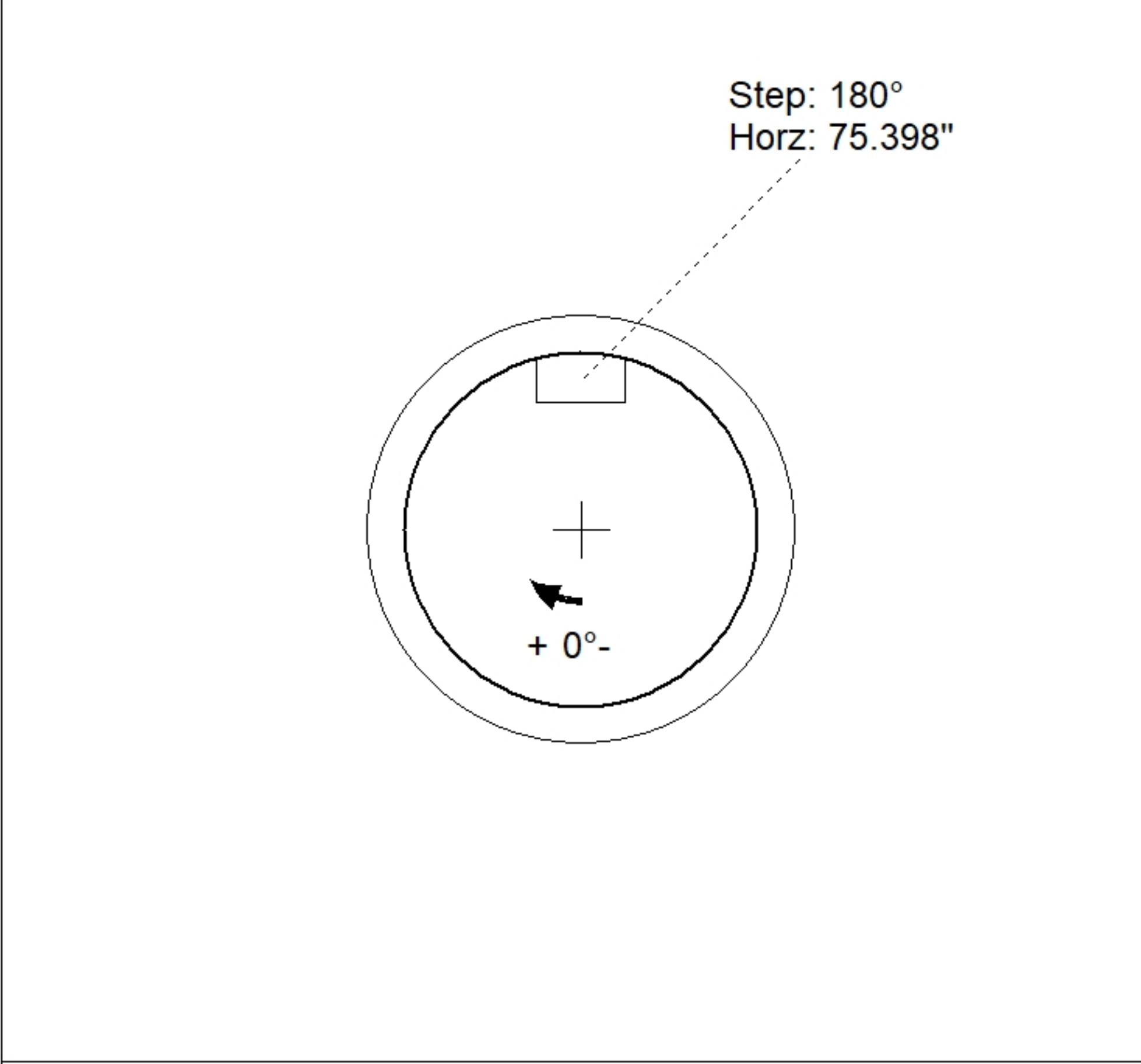
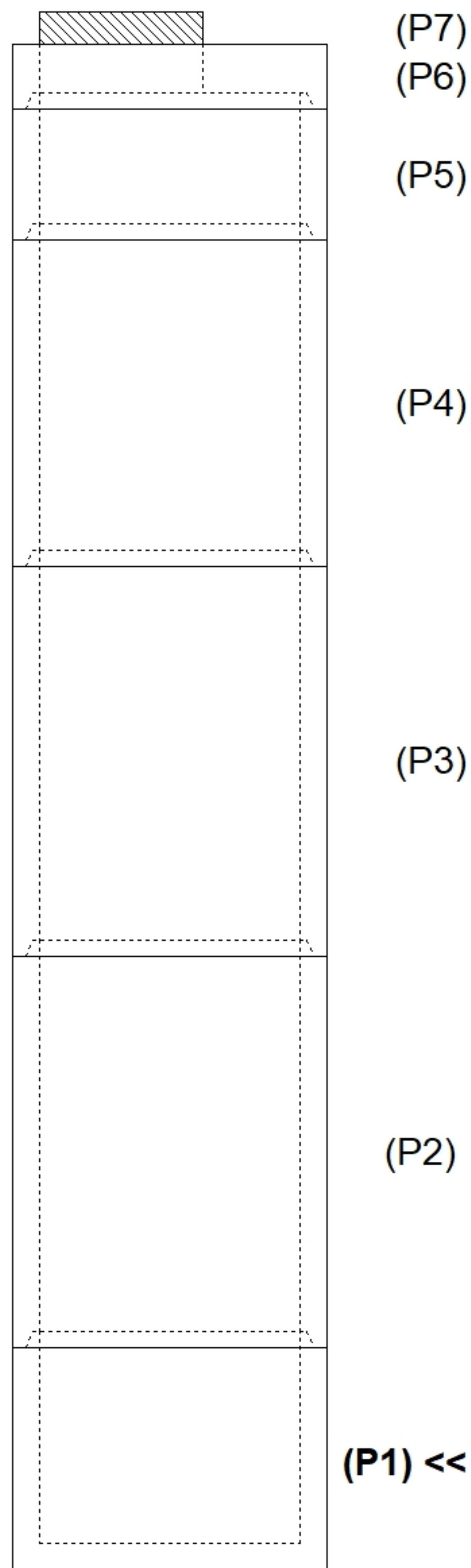
- TOP SLAB (As .62) #5 BARS AT 6" C.C.E.W.
- RISER/WALLS (As .12)
- FLOOR (As .31) #5 BARS AT 12" C.C.E.W.

Rim: 232.65'    Rim to Invert: 19.72'    Slack: 2.64"    Sump: 48"    Step Position: 180°

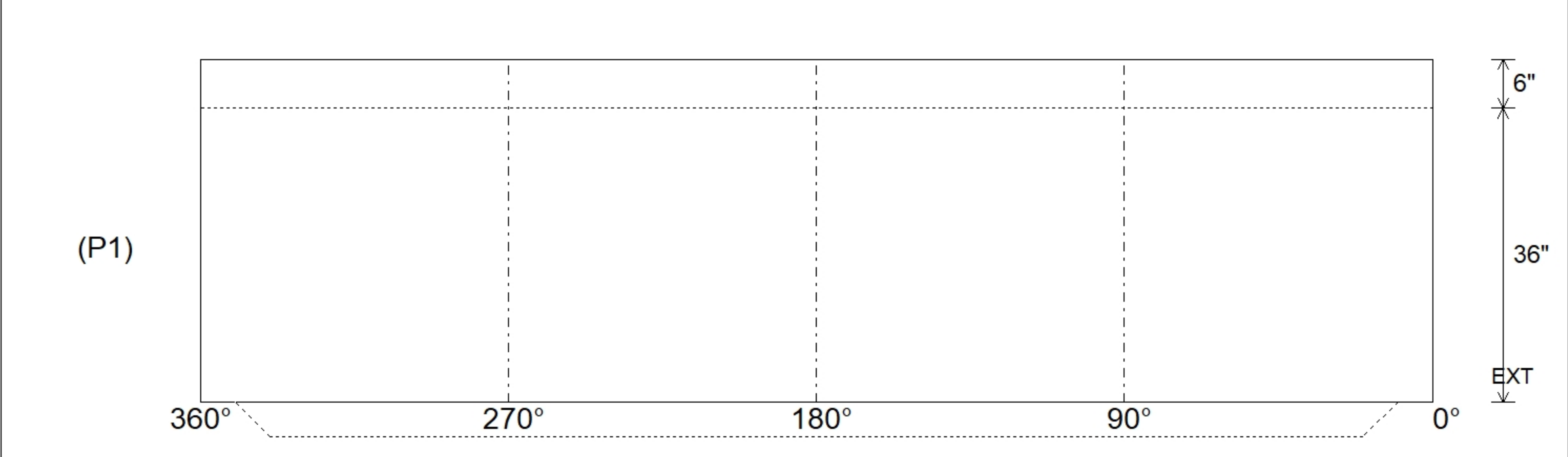
| Position | Elev | Angle | Ext. (cw) | Pipe | Pipe OD | Connector | Hole | Horz Size | Up ( ) | Offset |
|----------|------|-------|-----------|------|---------|-----------|------|-----------|--------|--------|
| Invert 1 |      |       |           |      |         |           |      |           |        |        |
| Invert 2 |      |       |           |      |         |           |      |           |        |        |
| Invert 3 |      |       |           |      |         |           |      |           |        |        |
| Invert 4 |      |       |           |      |         |           |      |           |        |        |
| Invert 5 |      |       |           |      |         |           |      |           |        |        |
| Invert 6 |      |       |           |      |         |           |      |           |        |        |
| Invert 7 |      |       |           |      |         |           |      |           |        |        |
| Invert 8 |      |       |           |      |         |           |      |           |        |        |

RIGHT-SIDE UP VIEW (int. dimensions)

UPSIDE-DOWN VIEW (int. dimensions)



INSIDE WALL DIMENSIONS



|                                  |                                 |  |  |  |
|----------------------------------|---------------------------------|--|--|--|
| Coating (Int):<br>Coating (Ext): | Seam Up: Tongue<br>Seam Dn: n/a | Wall Thickness: 5"<br>Floor Height: 6" | Height (Int): 36"<br>Height (Ext): 42" | Weight (Net): 3845 lb<br>Volume (Net): 0.98cu.yd |
|----------------------------------|---------------------------------|--|--|--|