

Job Name: 26-1720 ADS St. Jude PG4
 Job Location: Memphis, TN
 Contractor: ADS Advanced Drainage Systems, Inc.

Plant: Beaver Dam
 4/16/2026 9:25:47 AM

Tech: S. Felletter
 PC: C. Goff



Structure ID: Primary Manhole

P5 MH048LD12-30

MH FLAT LID w/30in ECC Hole F/G

P7) 30" - CASTING HEIGHT - 7"

P6) 30" - GRADE RING F/F - 3"

P5) 48" - MH FLAT LID w/30in ECC Hole F/G - 12"

P4) 48" - MH RISER T/G - 54"

P3) 48" - MH RISER T/G - 72"

P2) 48" - MH RISER T/G - 72"

P1) 48" - MH BASE T/n - 60"

1) JOINT WRAP - 0.065"x6"x50' CONSEAL CS212

1) JOINT WRAP PRIMER - CONSEAL CS-75 (1 gal.)

1) CASTING - HOE MC-680 F/C Plain

4) 48" - Conseal CS-102 1.00"

1) Hole - 30

1) Hole - 20

18) MH Step ML-10-TDS-NCR - 10"

0 lb

138 lb

1413 lb

3772 lb

5030 lb

4579 lb

5522 lb

0 lb

0 lb

659 lb

0 lb

0 lb

0 lb

0 lb

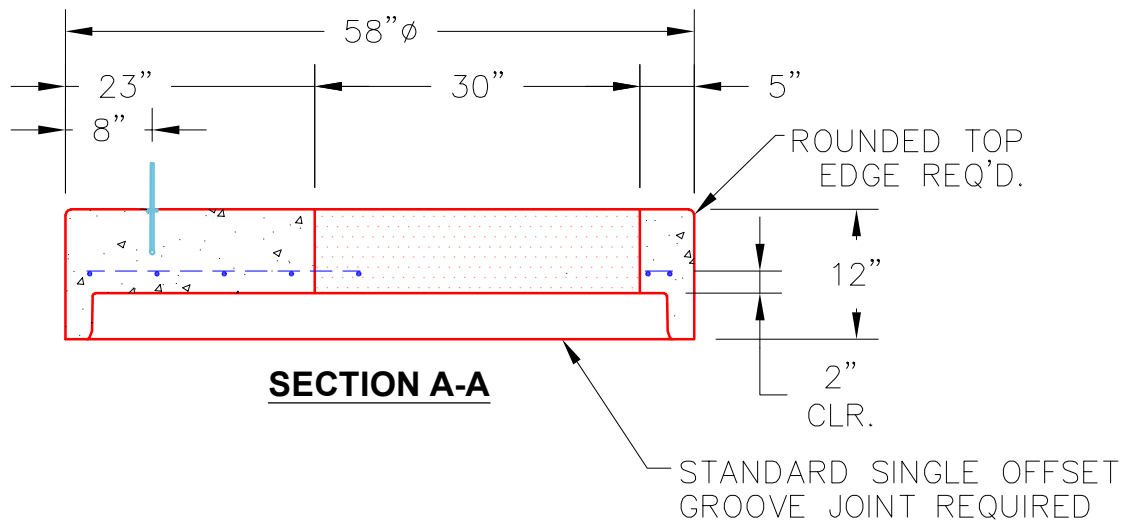
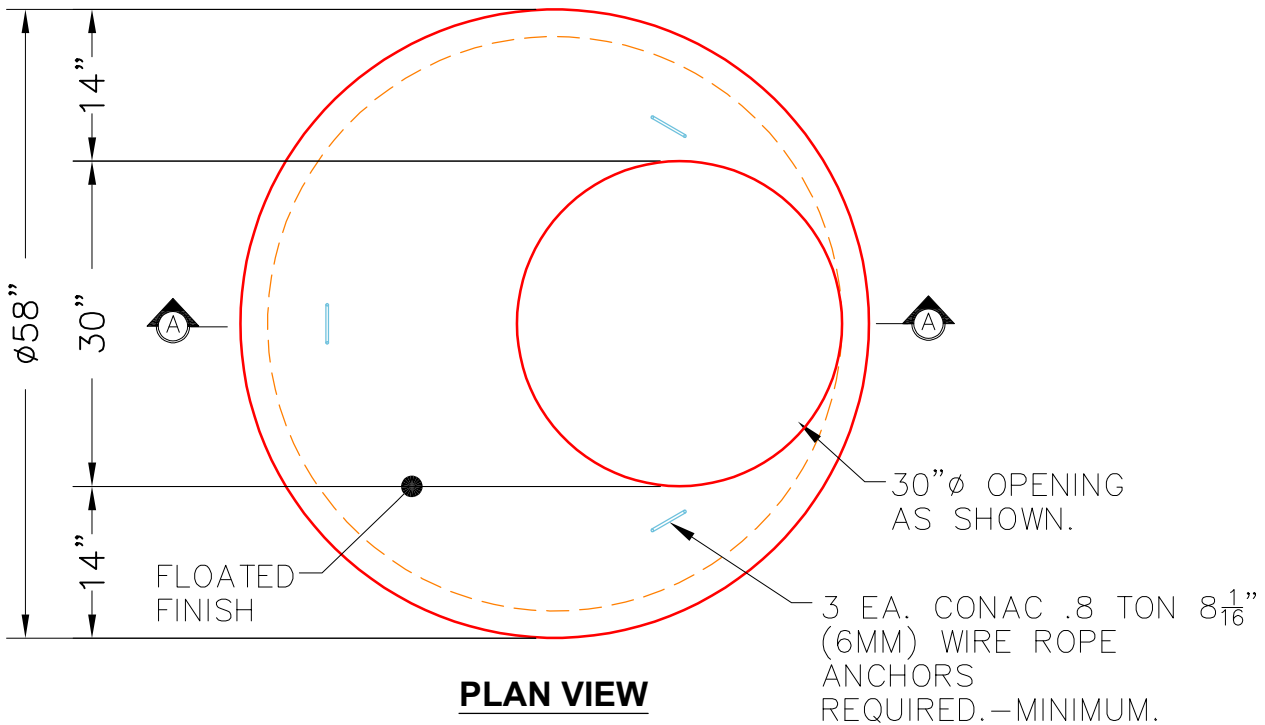
Structure Total: 21113 lb

Structure Notes:

1. PER ASTM C478 SPECIFICATIONS.
2. CONCRETE = 4,000 PSI AT 28 DAYS.
3. NO INVERT CHANNEL.
4. CASTING BY ICAST (HOE MC-680 F/C PLAIN).

REINFORCING PER ASTM A615 (GRADE 60).

- TOP SLAB (As .62) #5 BARS AT 6" C.C.E.W.
- RISER/WALLS (As .12)
- FLOOR (As .31) #5 BARS AT 12" C.C.E.W.



Coating (Int):
 Coating (Ext):

Seam Up: Flat
 Seam Dn: Groove

Wall Thickness: 5"

Height (Ext): 12"

Weight (Net): 1413 lb
 Volume (Net): 0.36cu.yd