

Structure ID: Primary Manhole

P2 MH048RS72

MH RISER T/G

P7) 30" - CASTING HEIGHT - 7" P6) 30" - GRADE RING F/F - 3" P5) 48" - MH FLAT LID w/30in ECC Hole F/G - 12" P4) 48" - MH RISER T/G - 54" P3) 48" - MH RISER T/G - 72" P2) 48" - MH RISER T/G - 72" P1) 48" - MH BASE T/n - 60" 1) JOINT WRAP - 0.065"x6"x50' CONSEAL CS212 1) JOINT WRAP PRIMER - CONSEAL CS-75 (1 gal.) 1) CASTING - HOE MC-680 F/C Plain 4) 48" - Conseal CS-102 1.00" 1) Hole - 30 1) Hole - 20 18) MH Step ML-10-TDS-NCR - 10"	0 lb 138 lb 1413 lb 3772 lb 5030 lb 4579 lb 5522 lb 0 lb 0 lb 659 lb 0 lb 0 lb 0 lb 0 lb 0 lb ----- Structure Total: 21113 lb
---	---

Structure Notes:

1. PER ASTM C478 SPECIFICATIONS.
2. CONCRETE = 4,000 PSI AT 28 DAYS.
3. NO INVERT CHANNEL.
4. CASTING BY ICAST (HOE MC-680 F/C PLAIN).

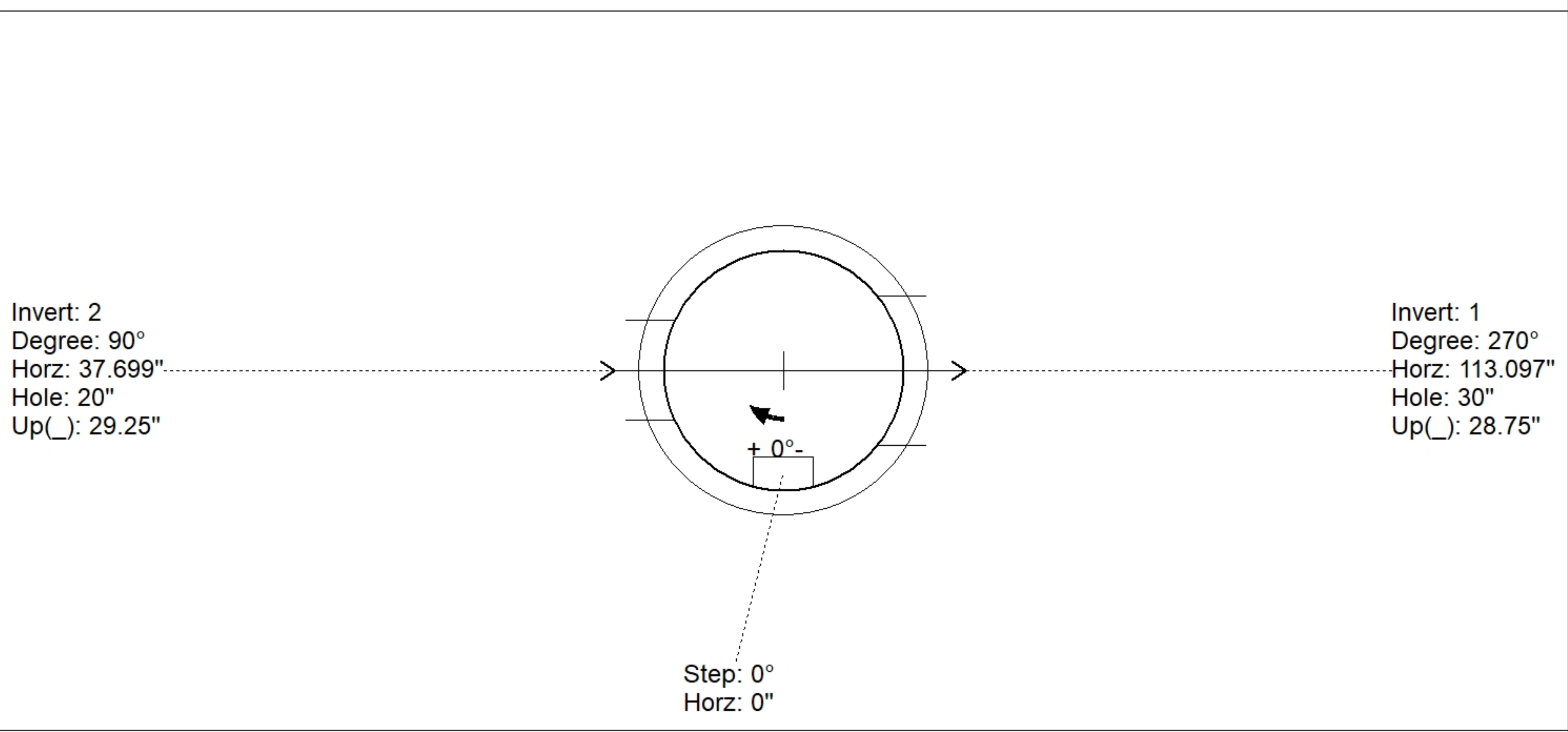
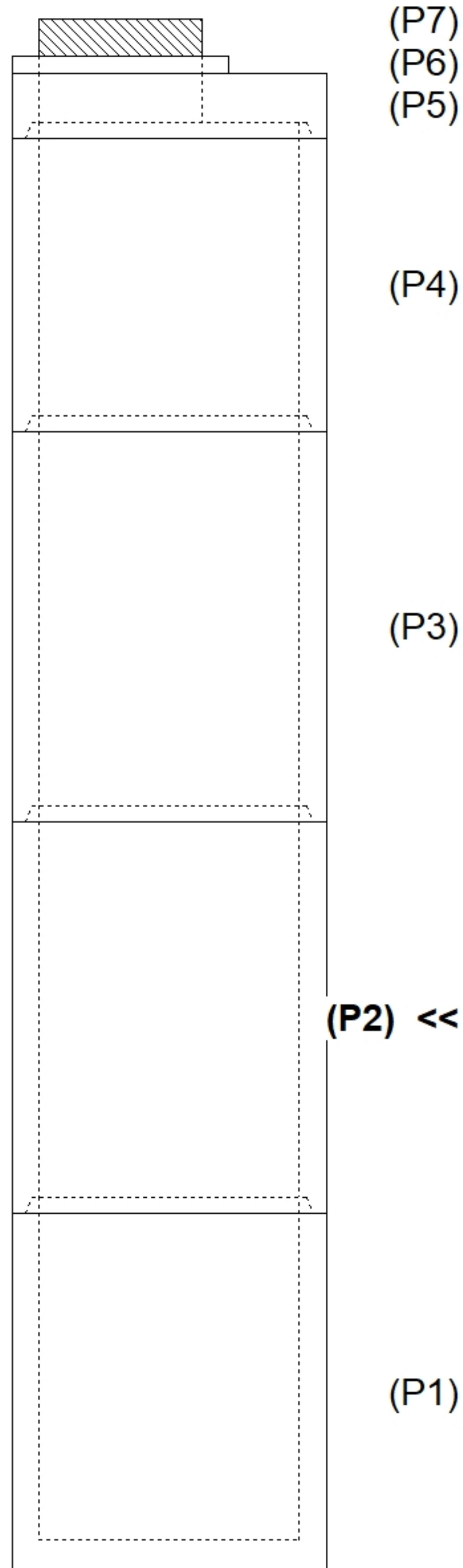
REINFORCING PER ASTM A615 (GRADE 60).

- TOP SLAB (As .62) #5 BARS AT 6" C.C.E.W.
- RISER/WALLS (As .12)
- FLOOR (As .31) #5 BARS AT 12" C.C.E.W.

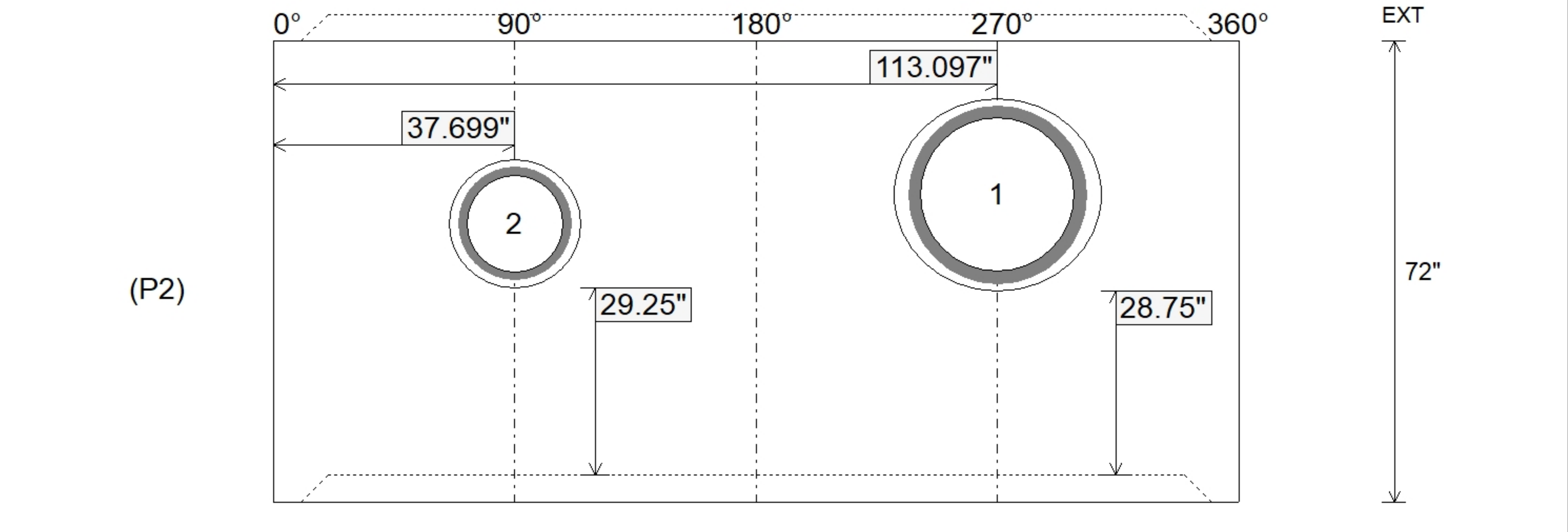
Rim: 232.3' Rim to Invert: 15.37' Slack: 0.44" Sump: 96" Step Position: 0°

Position	Elev	Angle	Ext. (cw)	Pipe	Pipe OD	Connector	Hole	Horz Size	Up ()	Offset
Invert 1	216.93'	270°	136.659"	24" HDPE	27.8"	Hole 30	30"	32.406"	28.75"	0"
Invert 2	216.93'	90°	45.553"	15" HDPE	17.6"	Hole 20	20"	20.629"	29.25"	0"
Invert 3										
Invert 4										
Invert 5										
Invert 6										
Invert 7										
Invert 8										

RIGHT-SIDE UP VIEW (int. dimensions)



INSIDE WALL DIMENSIONS



Coating (Int): Coating (Ext):	Seam Up: Tongue Seam Dn: Groove	Wall Thickness: 5" Floor Height: 0"	Height (Int): 72" Height (Ext): 72"	Weight (Net): 4579 lb Volume (Net): 1.17cu.yd
----------------------------------	------------------------------------	--	--	--