

Job Name: 26-1690 ADS Newton Pike Hampton Inn
Job Location: Lexington, KY
Contractor: ADS Advanced Drainage Systems, Inc.

PC: C. Goff
 TECH: S. Felletter
 Plant: Beaver Dam



Structure ID: 2

Spec: Storm-Pipe Centered
 Type: STM.MH
 Size: 96"

Rim: 926.62'
 Invert: 917.91'
 Rim to Invert: 8.71'

Sump: 134.04"
 Floor (Top): 906.74"
 Floor Height: 8"

Floor (Bot): 906.073'
 Overall Height: 20.5'
 Slack: 0.56"

Structure Notes:

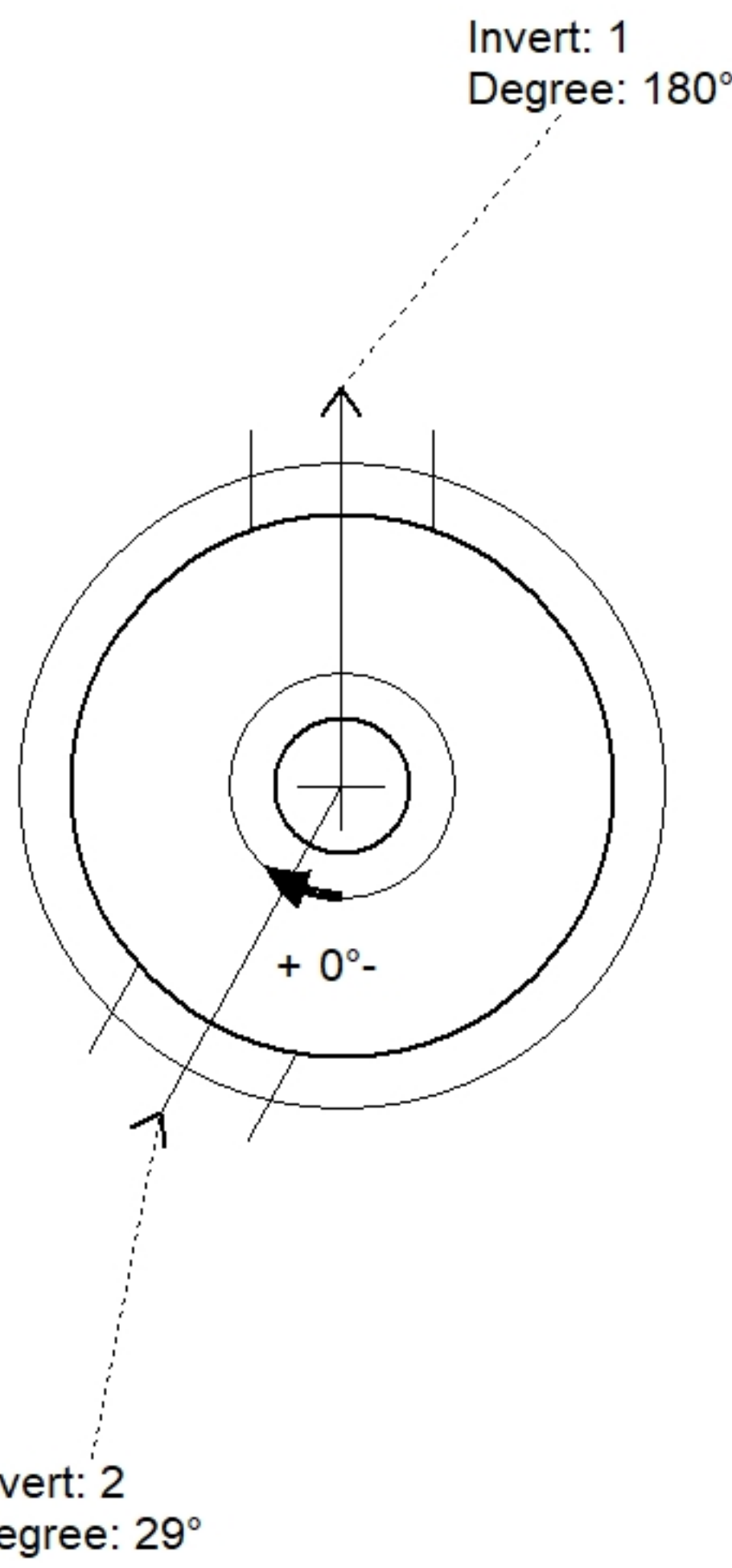
1. PER ASTM C478 SPECIFICATIONS.
2. CONCRETE = 4,000 PSI AT 28 DAYS.
3. CASTING BY ICCAST (MC-375 F/C "STORM").
4. ASSEMBLY REQUIRED - BRACKETS ONLY.

REINFORCING PER ASTM A615 (GRADE 60).
 - TOP SLAB (As .62) #5 BARS AT 6" C.C.E.W.
 - RISER/WALLS (As .24).
 - FLOOR (As .62) #5 BARS AT 8" C.C.E.W.

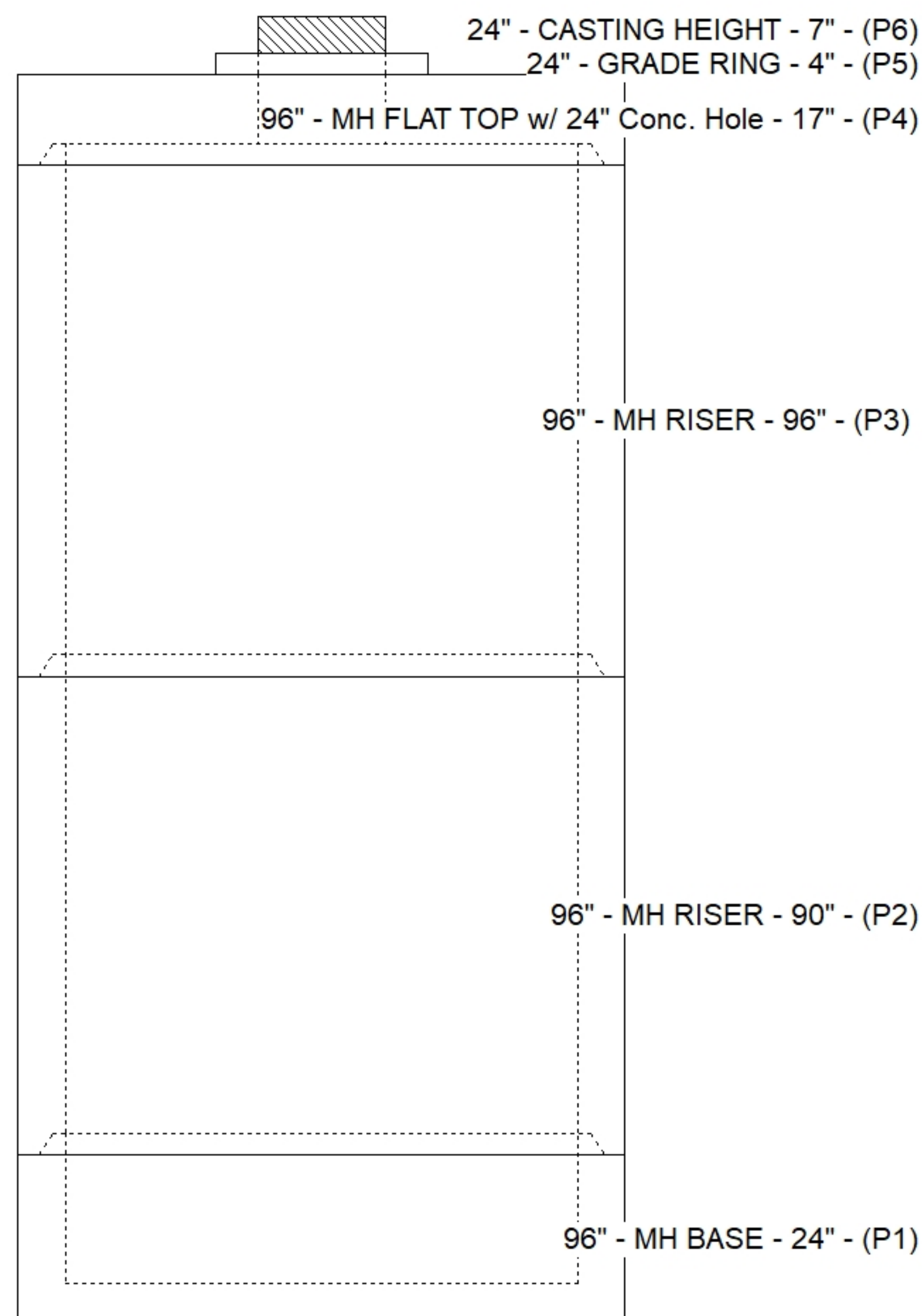
STRUCTURE SUMMARY:

P6) 24" - CASTING HEIGHT - 7"	0 lb
P5) 24" - GRADE RING - 4"	270 lb
P4) 96" - MH FLAT TOP w/ 24" Conc. Hole - 17"	10473 lb
P3) 96" - MH RISER - 96"	22680 lb
P2) 96" - MH RISER - 90"	22421 lb
P1) 96" - MH BASE - 24"	12831 lb
1) ASSEMBLY REQUIRED - BRACKETS ONLY	0 lb
1) SECONDARY POUR - Floor	0 lb
1) CASTING - HOE MC-375 F/C Storm	271 lb
3) 96" - Conseal CS-102 1.00"	0 lb
2) Hole - 32	0 lb

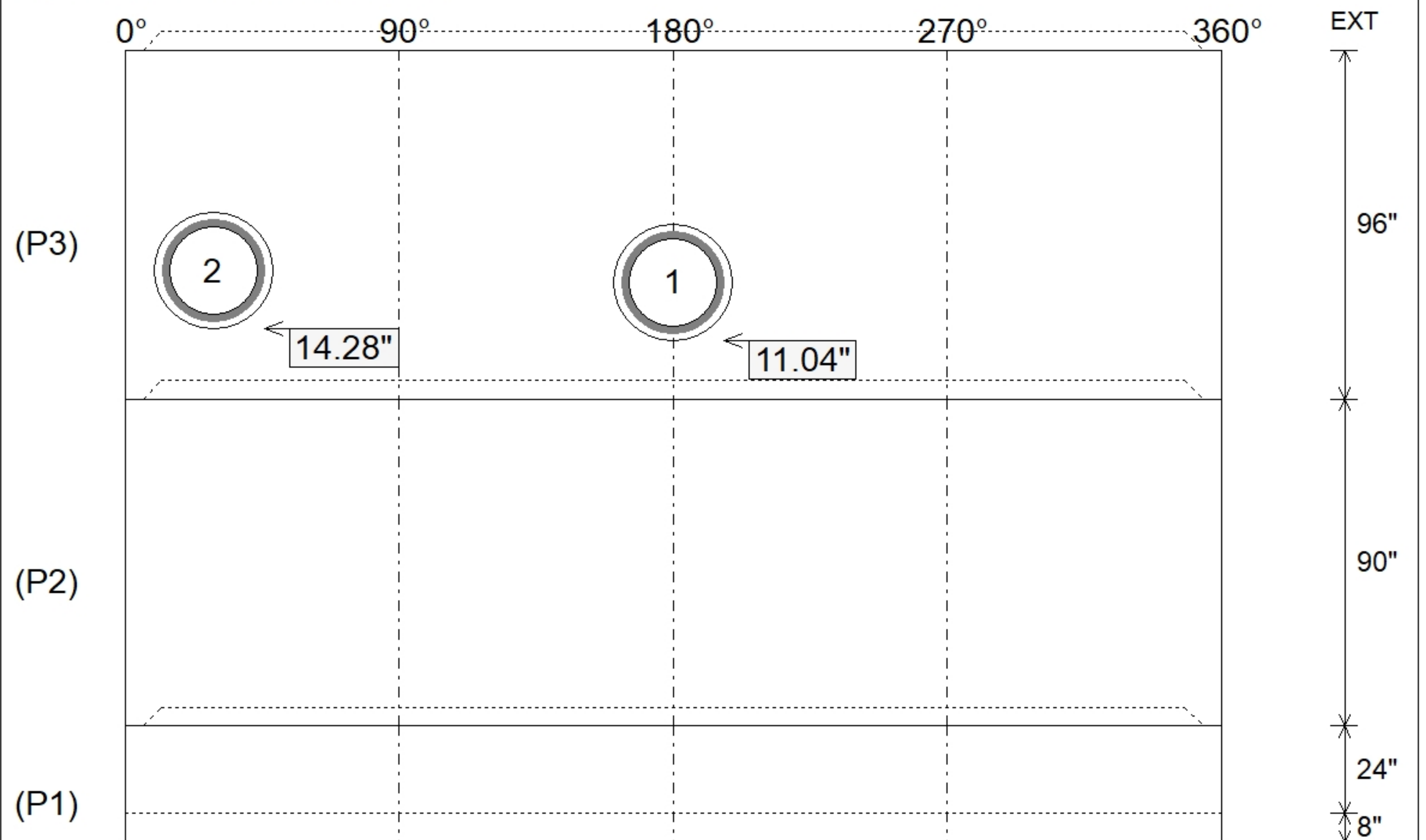
Structure Total:	68945 lb



Position	Elev	Angle	Pipe	Pipe OD	Hole	Connector	Up (")	Ref
Rim	926.62'							
Reducer								
Invert 1	917.91'	180°	24" ADS N-12	28"	32"	Hole 32	11.04"	P3
Invert 2	918.18'	29°	24" ADS N-12	28"	32"	Hole 32	14.28"	P3
Invert 3								
Invert 4								
Invert 5								
Invert 6								
Invert 7								
Invert 8								



Default - Interior Dimensions



Submittal Drawing
 4/7/2026 8:28:09 AM

SUBMITTAL
 APPROVED BY: