

Job Name: 26-1648 837557 71 Trade Center  
 Job Location: La Grange, KY  
 Contractor: Contech Engineering Solutions

Plant: Beaver Dam  
 3/19/2026 2:02:20 PM

Tech: S. Felletter  
 PC: T. Sekula



**Structure ID: 10-CS-8**

**P1 MH096BAVF**

**MH MONOBASE 13F, Custom Ht T/n**

- P5) 24" - CASTING HEIGHT - 4"
- P4) 96" - MH FLAT TOP SPEC. (2 - 24"Ø HOLES) F/G - 17"
- P3) 96" - MH RISER T/G - 96"
- P2) 96" - MH RISER T/G - 96"
- P1) 96" - MH MONOBASE 13F, Custom Ht T/n - 24"
- 1) CVSTENCILING
- 1) ASSEMBLY REQUIRED
- 3) 96" - Conseal CS-102 1.00"
- 2) Hole - 24

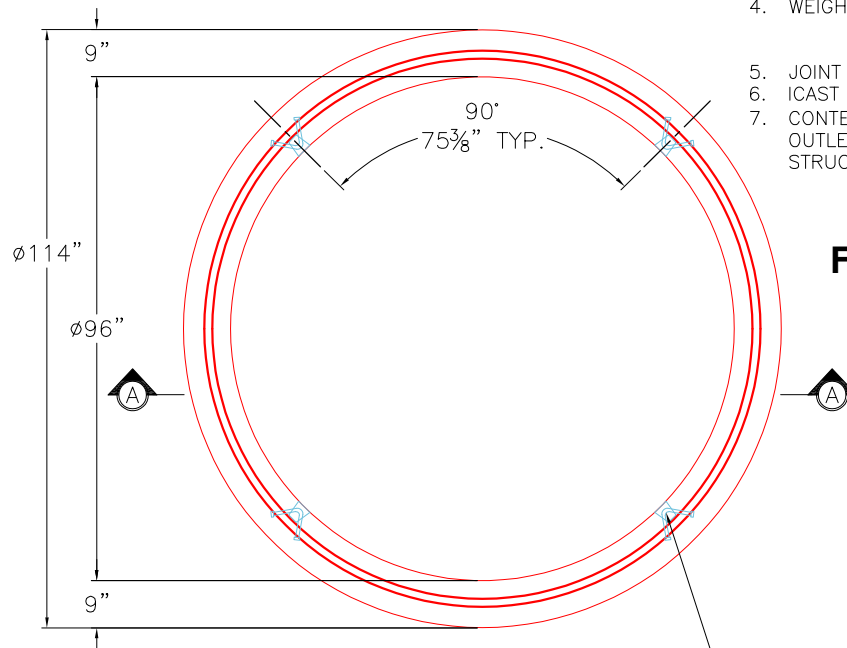
	0 lb
	10015 lb
	23915 lb
	23215 lb
	17113 lb
	0 lb
	0 lb
	0 lb
	0 lb
Structure Total:	74259 lb

Structure Notes:  
 4" CASTING BY OTHERS  
  
 LIFTING ANCHORS TO BE INSTALLED ON THE OUTSIDE OF THE STRUCTURE  
  
 ICAST TO INSTALL THE INTERNALS  
  
 CONTECH'S LOGO AS WELL AS THE INLET AND OUTLET MUST BE STENCILED ONTO THE STRUCTURE

Rim: 727.65' Rim to Invert: 13.8' Slack: 10.644" Sump: 82.044" Step Position:

GENERAL NOTES:

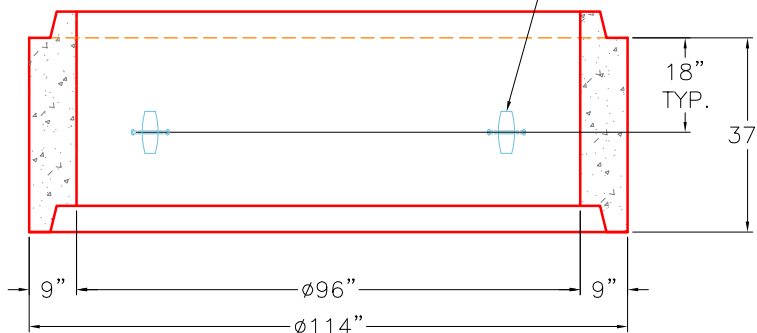
1. MANUFACTURED TO ASTM C-478 (LATEST REVISION).
2. CONCRETE 5,000 PSI AT 28 DAYS.
3. REINFORCING: WALLS - WWF AREA 0.24  
 FLOOR - AREA 0.27 - #5 BAR @ 12" C/C TOP AND BOTTOM MAT.
4. WEIGHT: TOTAL - 17,113 LBS.  
 FIRST POUR - 8,216 LBS  
 SECOND POUR - 7,897 LBS
5. JOINT SEAL: CONCRETE SEALANTS INC. CS-102.
6. ICAST TO INSTALL INTERNALS
7. CONTECH'S LOGO AS WELL AS THE INLETS AND OUTLETS MUST BE STENCILED ONTO THE STRUCTURE.



**TOP VIEW**

**FIRST POUR DRAWING**

4 EA. CONAC 6CA14 ANCHORS REQUIRED FOR HANDLING.



**SECTION A-A**

Coating (Int): Coating (Ext):	Seam Up: Tongue Seam Dn: n/a	Wall Thickness: 9" Floor Height: 13"	Height (Int): 24" Height (Ext): 37"	Weight (Net): 17113 lb Volume (Net): 4.37cu.yd
----------------------------------	---------------------------------	---	--	---

Job Name: 26-1648 837557 71 Trade Center  
 Job Location: La Grange, KY  
 Contractor: Contech Engineering Solutions

Plant: Beaver Dam  
 3/19/2026 2:02:20 PM

Tech: S. Felletter  
 PC: T. Sekula



**Structure ID: 10-CS-8**

**P1 MH096BAVF**

**MH MONOBASE 13F, Custom Ht T/n**

- P5) 24" - CASTING HEIGHT - 4"
- P4) 96" - MH FLAT TOP SPEC. (2 - 24"Ø HOLES) F/G - 17"
- P3) 96" - MH RISER T/G - 96"
- P2) 96" - MH RISER T/G - 96"
- P1) 96" - MH MONOBASE 13F, Custom Ht T/n - 24"
- 1) CVSTENCILING
- 1) ASSEMBLY REQUIRED
- 3) 96" - Conseal CS-102 1.00"
- 2) Hole - 24"

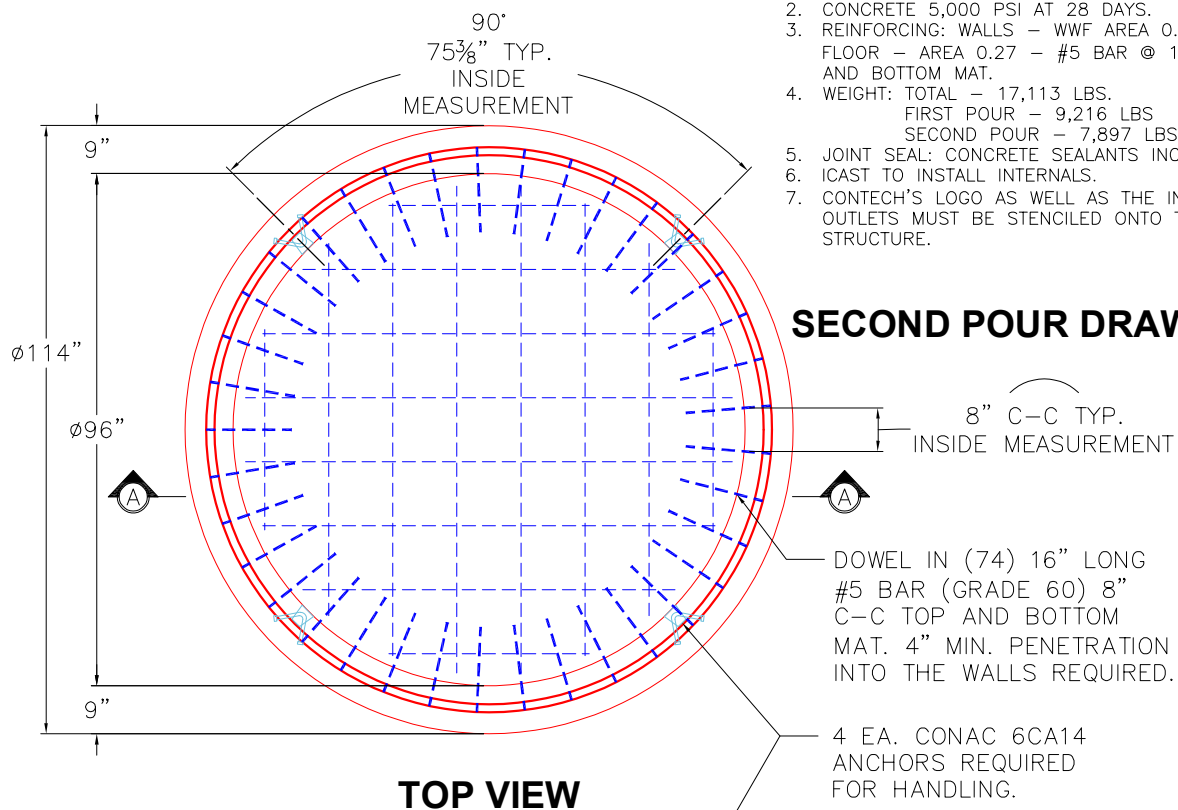
0 lb  
 10015 lb  
 23915 lb  
 23215 lb  
 17113 lb  
 0 lb  
 0 lb  
 0 lb  
 0 lb  
 -----  
 Structure Total: 74259 lb

**Structure Notes:**  
 4" CASTING BY OTHERS  
 LIFTING ANCHORS TO BE INSTALLED ON THE OUTSIDE OF THE STRUCTURE  
 ICAST TO INSTALL THE INTERNALS  
 CONTECH'S LOGO AS WELL AS THE INLET AND OUTLET MUST BE STENCILED ONTO THE STRUCTURE

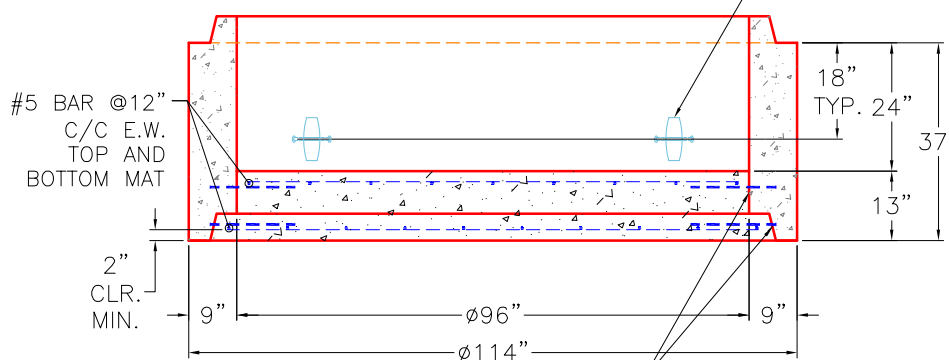
Rim: 727.65' Rim to Invert: 13.8' Slack: 10.644' Sump: 82.044' Step Position:

**GENERAL NOTES:**

1. MANUFACTURED TO ASTM C-478 (LATEST REVISION).
2. CONCRETE 5,000 PSI AT 28 DAYS.
3. REINFORCING: WALLS - WWF AREA 0.24 FLOOR - AREA 0.27 - #5 BAR @ 12" C/C TOP AND BOTTOM MAT.
4. WEIGHT: TOTAL - 17,113 LBS.  
 FIRST POUR - 9,216 LBS  
 SECOND POUR - 7,897 LBS
5. JOINT SEAL: CONCRETE SEALANTS INC. CS-102.
6. ICAST TO INSTALL INTERNALS.
7. CONTECH'S LOGO AS WELL AS THE INLETS AND OUTLETS MUST BE STENCILED ONTO THE STRUCTURE.



**SECOND POUR DRAWING**



**SECTION A-A**

Coating (Int): Coating (Ext):	Seam Up: Tongue Seam Dn: n/a	Wall Thickness: 9" Floor Height: 13"	Height (Int): 24" Height (Ext): 37"	Weight (Net): 17113 lb Volume (Net): 4.37cu.yd
----------------------------------	---------------------------------	---	--	---