

**Job Name: 26-1644 - BGMU Miox Feed Lines**  
**Job Location: Bowling Green, KY**  
**Contractor: Scott & Ritter, Inc.**

PC: C. Goff  
 TECH: Jared - F  
 Plant: 100



Structure ID: **JB-3-3 ST-JB**

Spec: Storm  
 Type: STM.MH (Open Btm)  
 Size: 72"

Rim: 477.1'  
 Invert: 470.6'  
 Rim to Invert: 6.5'

Sump: 0"  
 Floor (Top): 470.6'  
 Floor Height: 0"

Floor (Bot): 470.6'  
 Overall Height: 6.5'  
 Slack: 0"

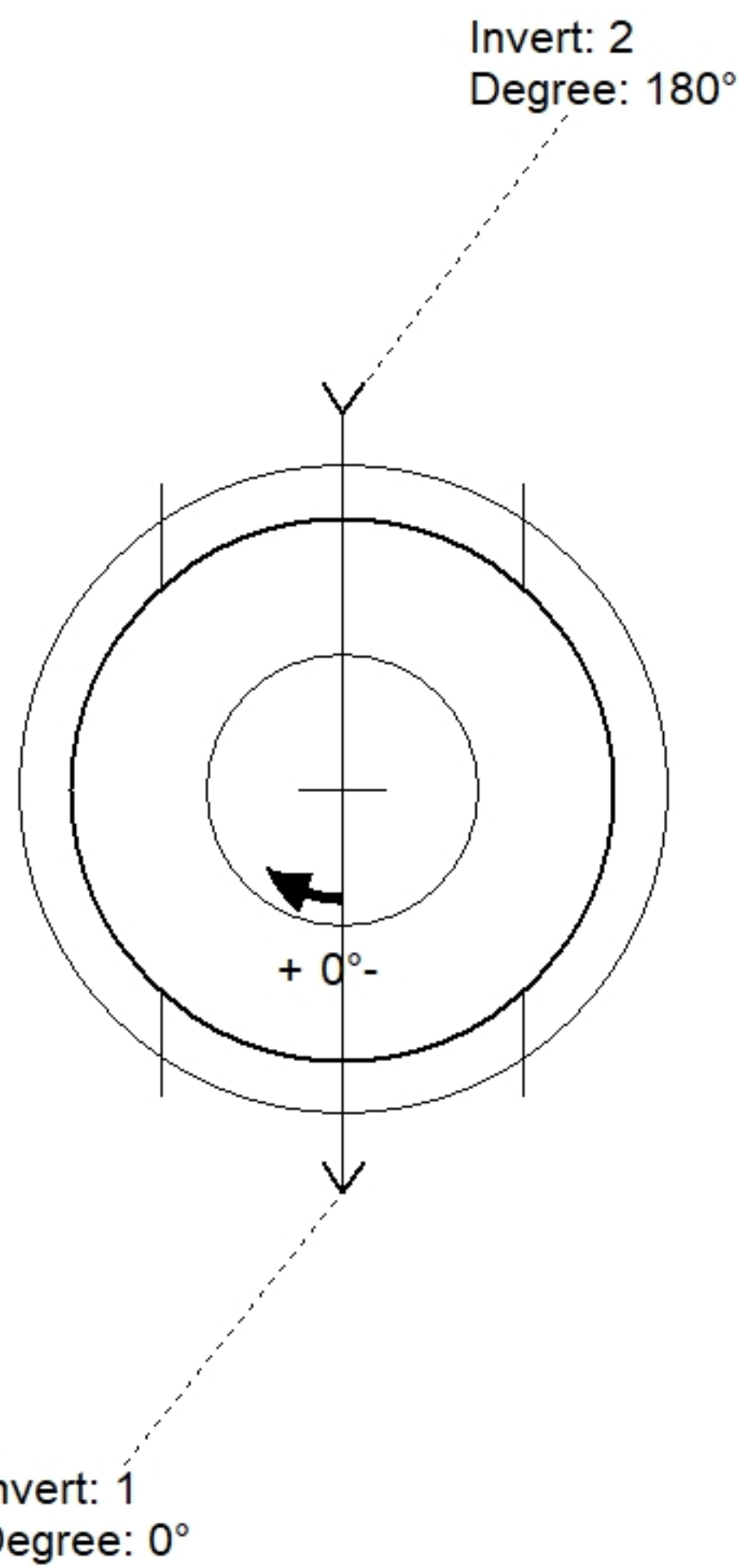
Structure Notes:

1. PER ASTM C478 SPECIFICATIONS.
2. CONCRETE = 4,000 PSI AT 28 DAYS.
3. NO STEPS AND NO INVERT CHANNEL.
4. CASTING BY ICAST (PAMREX 36" F/C)

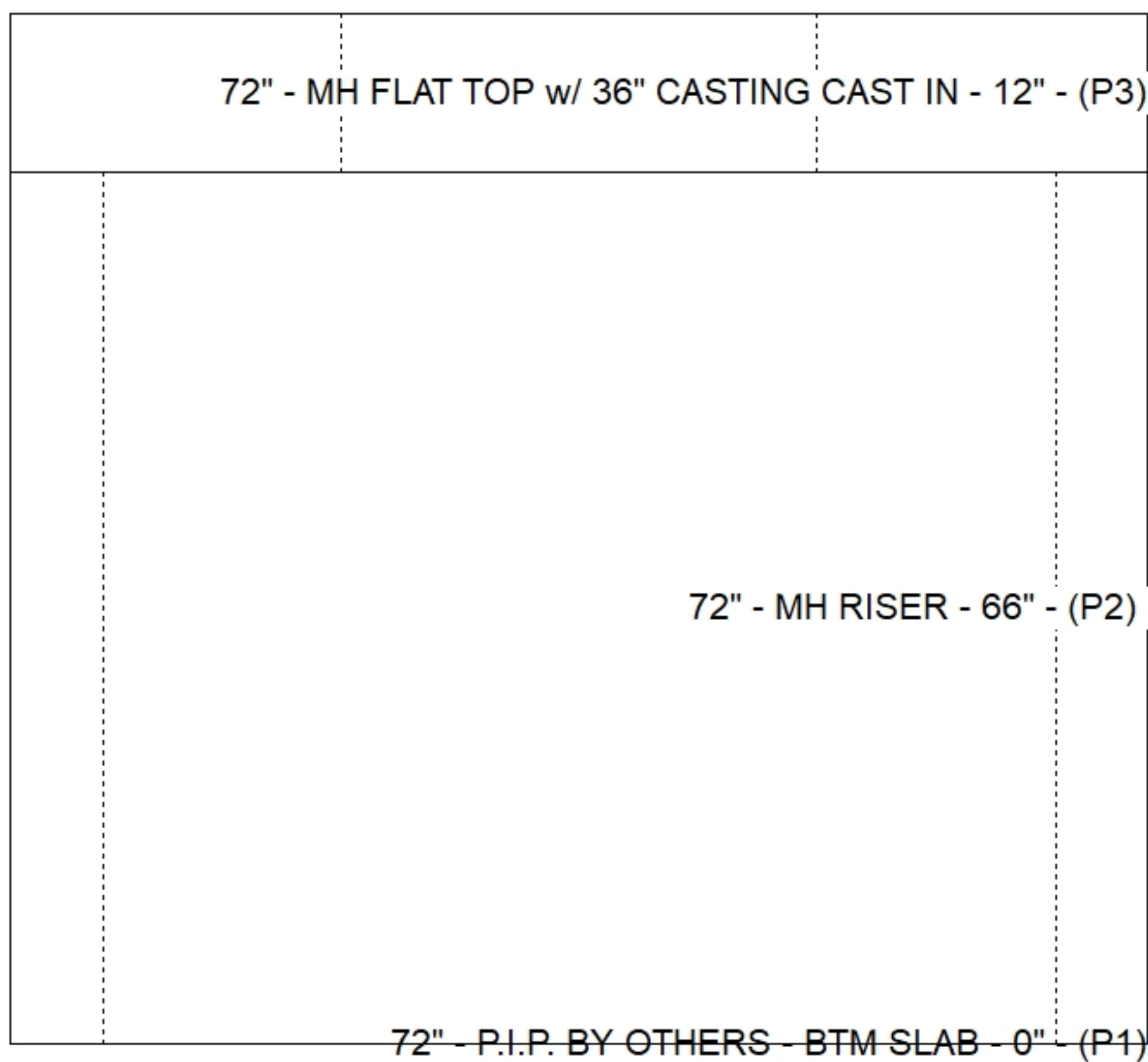
REINFORCING PER ASTM A615 (GRADE 60).  
 - TOP SLAB (As .62) #5 BARS AT 6" C.C.E.W.  
 - RISER (As .18)

STRUCTURE SUMMARY:

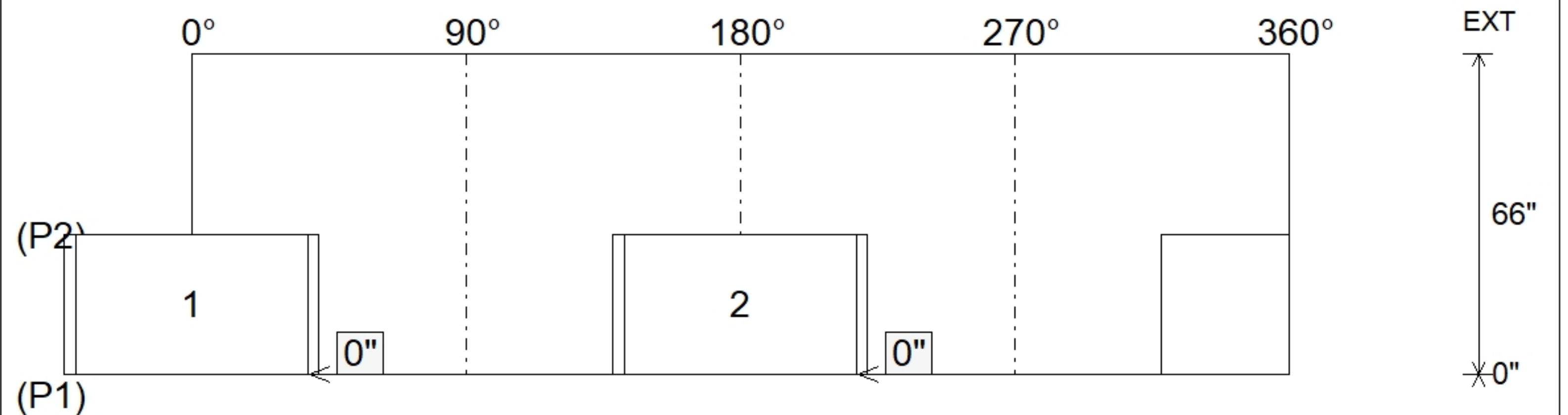
|  |                 |
|--|-----------------|
| P3) 72" - MH FLAT TOP w/ 36" CASTING CAST IN - 12" | 4824 lb         |
| P2) 72" - MH RISER - 66"                           | 7874 lb         |
| P1) 72" - P.I.P. BY OTHERS - BTM SLAB - 0"         | 0 lb            |
| 1) CASTING - PAMREX 36" F/C                        | 393 lb          |
| 2) 72" - Conseal CS-102 1.00"                      | 0 lb            |
| 1) 36" - Conseal CS-102 1.00"                      | 0 lb            |
| 2) SQ. Hole - 48"x28.75"                           | 0 lb            |
| <b>Structure Total:</b>                            | <b>13091 lb</b> |



| Position | Elev   | Angle | Pipe                  | Pipe OD      | Hole         | Connector           | Up (") | Ref |
|----------|--------|-------|-----------------------|--------------|--------------|---------------------|--------|-----|
| Rim      | 477.1' |       |                       |              |              |                     |        |     |
| Reducer  |        |       |                       |              |              |                     |        |     |
| Invert 1 | 470.6' | 0°    | 48" x 28.75" SQ. Hole | 48" x 28.75" | 48" x 28.75" | SQ. Hole 48"x28.75" | 0"     | P2  |
| Invert 2 | 470.6' | 180°  | 48" x 28.75" SQ. Hole | 48" x 28.75" | 48" x 28.75" | SQ. Hole 48"x28.75" | 0"     | P2  |
| Invert 3 |        |       |                       |              |              |                     |        |     |
| Invert 4 |        |       |                       |              |              |                     |        |     |
| Invert 5 |        |       |                       |              |              |                     |        |     |
| Invert 6 |        |       |                       |              |              |                     |        |     |
| Invert 7 |        |       |                       |              |              |                     |        |     |
| Invert 8 |        |       |                       |              |              |                     |        |     |



**Default - Interior Dimensions**



Submittal Drawing  
 3/31/2026 10:59:06 AM

SUBMITTAL  
 APPROVED BY: