

Job Name: 26-1644 - BGMU Miox Feed Lines
Job Location: Bowling Green, KY
Contractor: Scott & Ritter, Inc.

PC: C. Goff
 TECH: Jared - F
 Plant: 100



Structure ID: **JB-2-2 ST-JB**

Spec: Storm
 Type: STM.MH (Open Btm)
 Size: 72"

Rim: 473.38'
 Invert: 466.88'
 Rim to Invert: 6.5'

Sump: 0"
 Floor (Top): 466.88'
 Floor Height: 0"

Floor (Bot): 466.88'
 Overall Height: 6.5'
 Slack: 0"

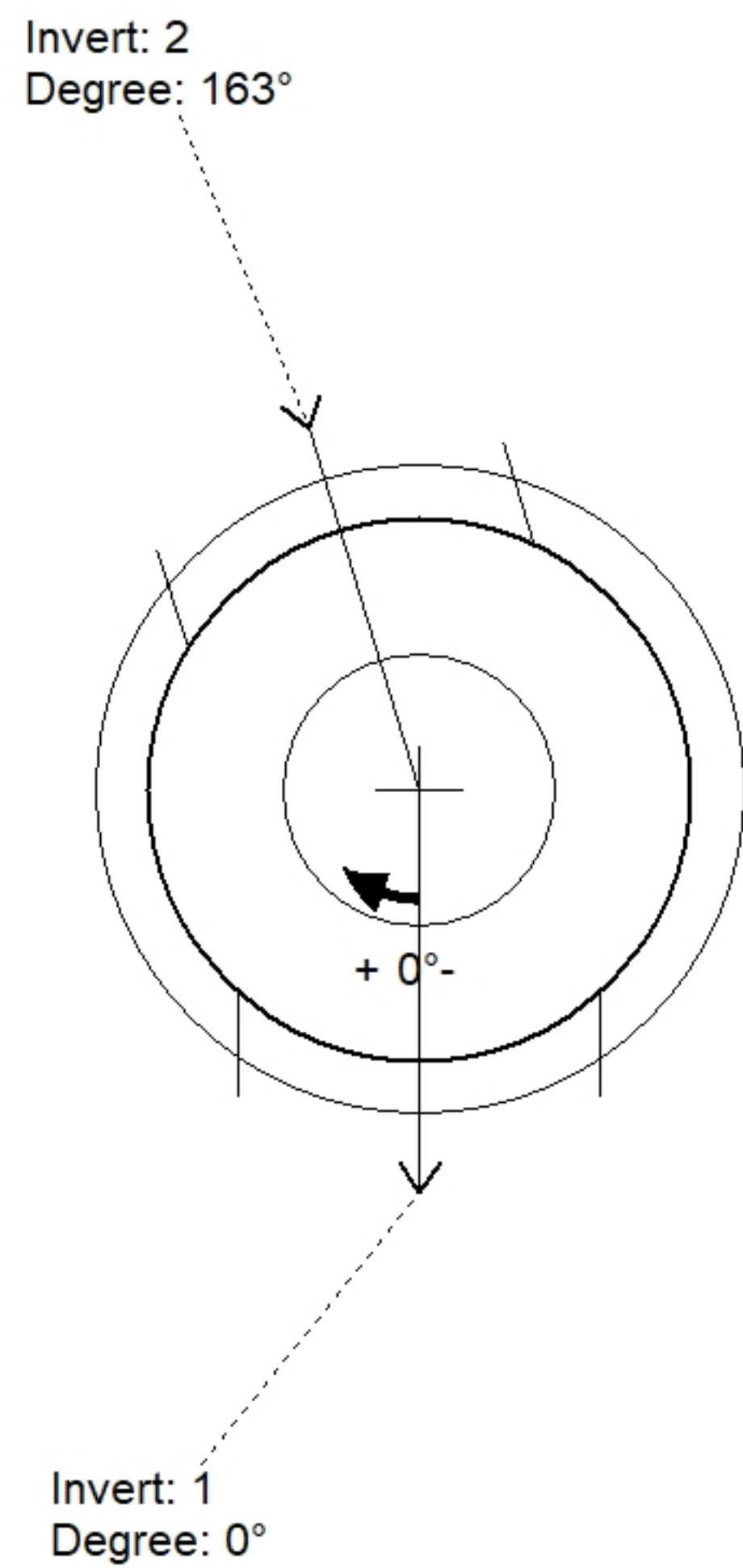
Structure Notes:

1. PER ASTM C478 SPECIFICATIONS.
2. CONCRETE = 4,000 PSI AT 28 DAYS.
3. NO STEPS AND NO INVERT CHANNEL.
4. CASTING BY ICAST (PAMREX 36" F/C)

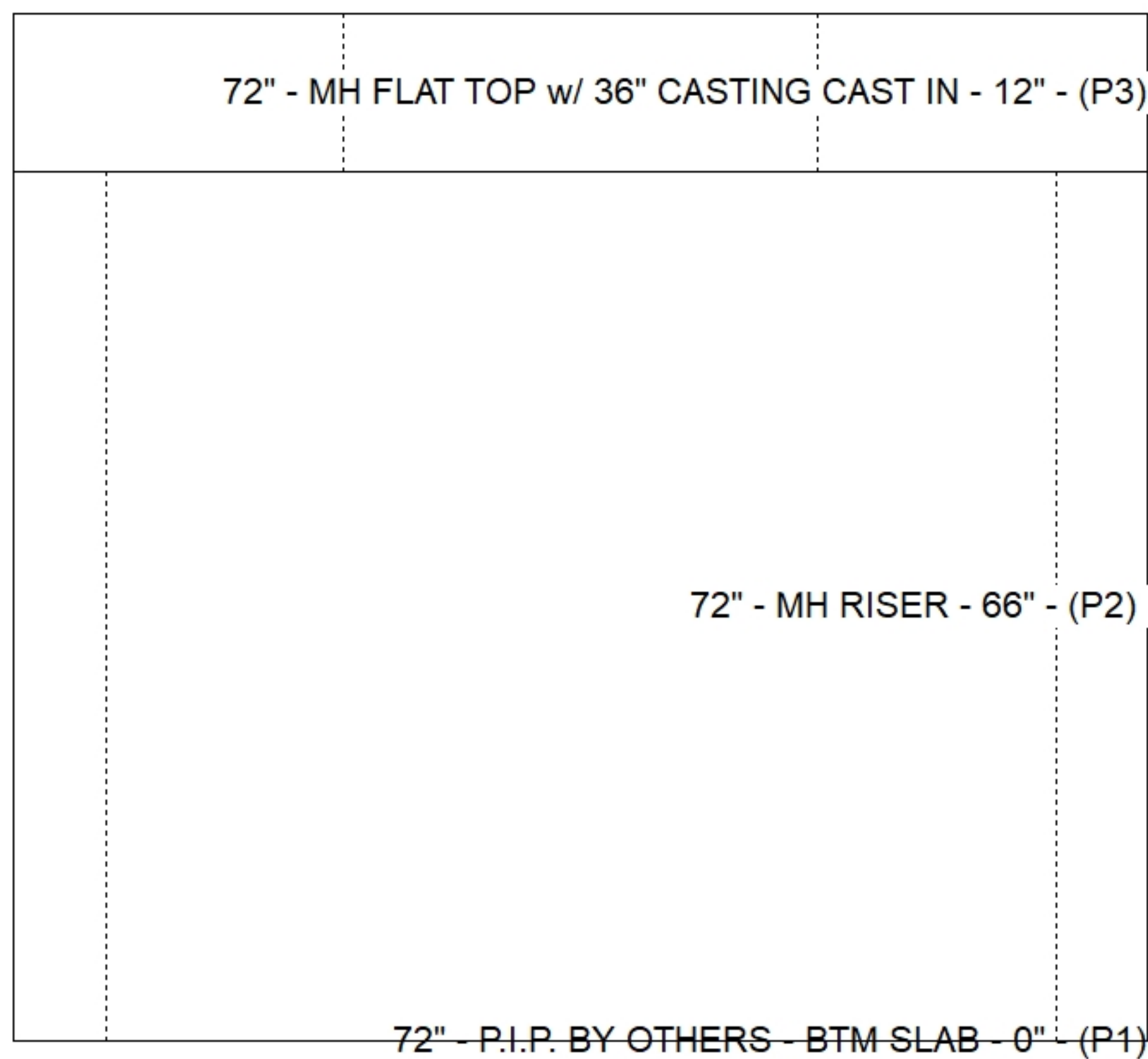
REINFORCING PER ASTM A615 (GRADE 60).
 - TOP SLAB (As .62) #5 BARS AT 6" C.C.E.W.
 - RISER (As .18)

STRUCTURE SUMMARY:

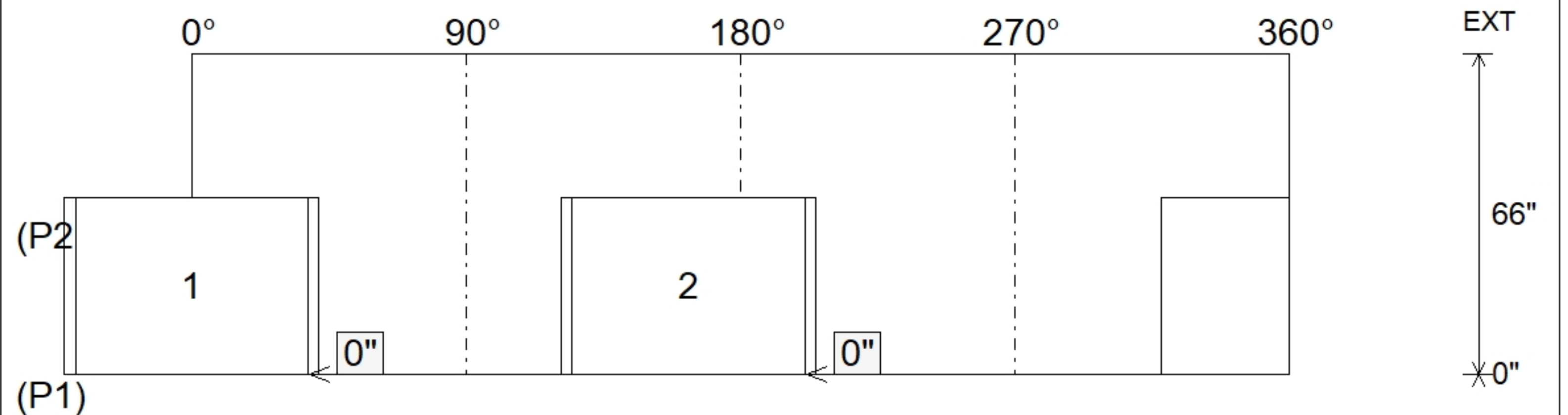
P3) 72" - MH FLAT TOP w/ 36" CASTING CAST IN - 12"	4824 lb
P2) 72" - MH RISER - 66"	7403 lb
P1) 72" - P.I.P. BY OTHERS - BTM SLAB - 0"	0 lb
1) CASTING - PAMREX 36" F/C	393 lb
2) 72" - Conseal CS-102 1.00"	0 lb
1) 36" - Conseal CS-102 1.00"	0 lb
2) SQ. Hole - 48"x36.5"	0 lb
Structure Total:	12620 lb



Position	Elev	Angle	Pipe	Pipe OD	Hole	Connector	Up ()	Ref
Rim	473.38'							
Reducer								
Invert 1	466.88'	0°	48" x 36.5" SQ. Hole	48" x 36.5"	48" x 36.5"	SQ. Hole 48"x36.5"	0"	P2
Invert 2	466.88'	163°	48" x 36.5" SQ. Hole	48" x 36.5"	48" x 36.5"	SQ. Hole 48"x36.5"	0"	P2
Invert 3								
Invert 4								
Invert 5								
Invert 6								
Invert 7								
Invert 8								



Default - Interior Dimensions



Submittal Drawing
 3/31/2026 10:59:03 AM

SUBMITTAL
 APPROVED BY: