

Job Name: 26-1643 - Jackson Utility Relocation
 Job Location: Jackson, KY
 Contractor: Triton Construction, Inc.

Plant: 100
 3/31/2026 7:25:00 AM

Tech: J. Horsley
 PC: E. Bradley



Structure ID: N44-5 SS-MH

P1 MH048BAEVFCDARED

MH BASE w/FLANGE (08F/08EF) w/ConBlock-CDA Red T/n

P4) 24" - CASTING HEIGHT - 7"	0 lb
P3) 48" - ECC CONE w/ 24" HOLE, w/ConBlock-CDA Red F/G - 36"	2251 lb
P2) 48" - MH RISER w/ConBlock-CDA Red T/G - 24"	1677 lb
P1) 48" - MH BASE w/FLANGE (08F/08EF) w/ConBlock-CDA Red T/n - 28"	4672 lb
1) 48" - MH INVERT CHANNEL w/ConBlock-CDA Red - FULL HEIGHT	1440 lb
1) JOINT WRAP - 0.065"x6"x50' CONSEAL CS212	0 lb
1) JOINT WRAP PRIMER - CONSEAL CS-75 (1 gal.)	0 lb
1) ADMIXTURE CONBLOCK CDA RED	0 lb
1) CASTING - HOE MC-350 F/C Sanitary	305 lb
2) 48" - Conseal CS-102 1.00" (Double)	0 lb
2) PSX - 16L NYLO	16 lb
7) MH Step ML-10-TDS-NCR - 10"	0 lb
Structure Total:	10360 lb

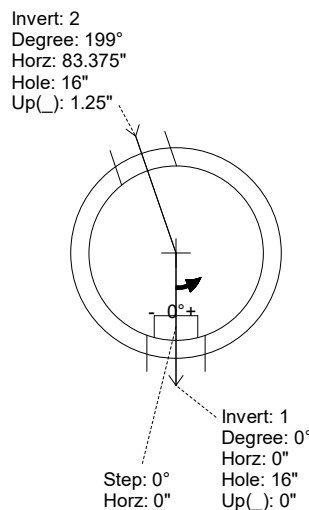
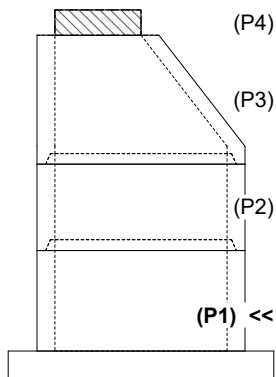
- Structure Notes:**
1. PER ASTM C-478 SPECIFICATIONS
 2. CONCRETE: 4,000 PSI AT 28 DAYS
 3. REINFORCEMENT: PER ASTM A615
 4. INVERT CHANNEL REQUIRED
 5. CONBLOCK CDA RED ADMIXTURE REQUIRED
 6. STEPS AT 0 DEGREES
 7. HOE MC-350 FRAME & COVER "SANITARY" SUPPLIED BY ICAST

Rim: 718.01' Rim to Invert: 7.78' Slack: 0.36" Sump: 2" Step Position: 0°

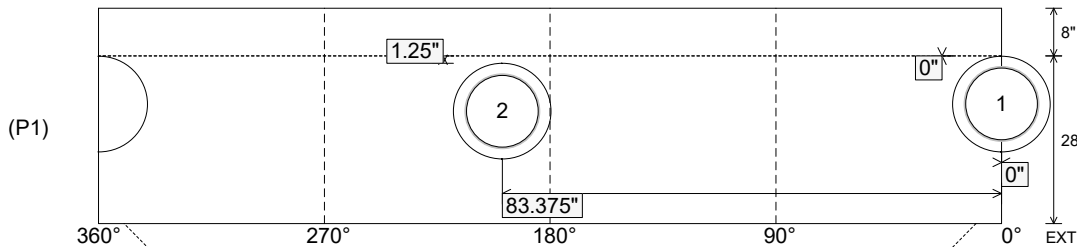
Position	Elev	Angle	Ext. (cw)	Pipe	Pipe OD	Connector	Hole	Horz Size	Up ()	Offset
Invert 1	710.23'	0°	0"	12" PVC SDR26	12.5"	PSX 16L NYLO	16"	16.312"	0"	0"
Invert 2	710.33'	199°	100.75"	12" PVC SDR35	12.5"	PSX 16L NYLO	16"	16.312"	1.25"	0"
Invert 3										
Invert 4										
Invert 5										
Invert 6										
Invert 7										
Invert 8										

RIGHT-SIDE UP VIEW (int. dimensions)

UPSIDE-DOWN VIEW (int. dimensions)



INSIDE WALL DIMENSIONS



Coating (Int):
 Coating (Ext):

Seam Up: Tongue
 Seam Dn: n/a

Wall Thickness: 5"
 Floor Height: 8"

Height (Int): 28"
 Height (Ext): 36"

Weight (Net): 4672 lb
 Volume (Net): 1.19cu.yd

Structure ID: N44-5 SS-MH

P1 MH048BAEVFCDARED

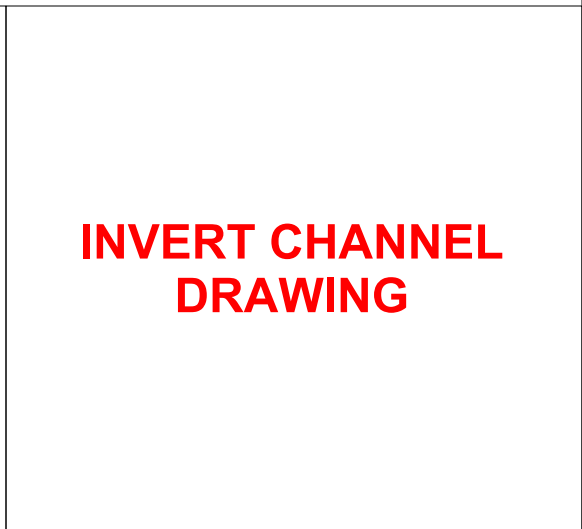
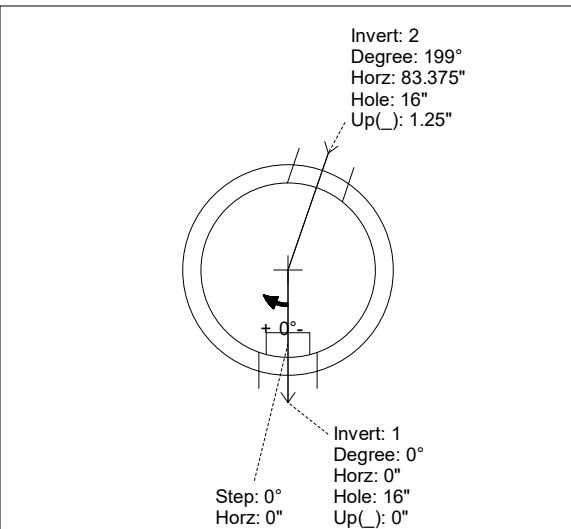
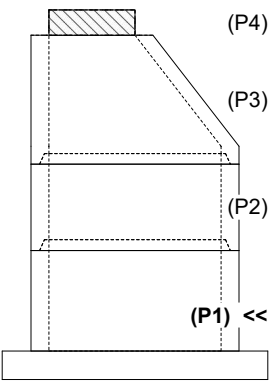
MH BASE w/FLANGE (08F/08EF) w/ConBlock-CDA Red T/n

P4) 24" - CASTING HEIGHT - 7" P3) 48" - ECC CONE w/ 24" HOLE, w/ConBlock-CDA Red F/G - 36" P2) 48" - MH RISER w/ConBlock-CDA Red T/G - 24" P1) 48" - MH BASE w/FLANGE (08F/08EF) w/ConBlock-CDA Red T/n - 28" 1) 48" - MH INVERT CHANNEL w/ConBlock-CDA Red - FULL HEIGHT 1) JOINT WRAP - 0.065"x6"x50' CONSEAL CS212 1) JOINT WRAP PRIMER - CONSEAL CS-75 (1 gal.) 1) ADMIXTURE CONBLOCK CDA RED 1) CASTING - HOE MC-350 F/C Sanitary 2) 48" - Conseal CS-102 1.00" (Double) 2) PSX - 16L NYLO 7) MH Step ML-10-TDS-NCR - 10"	0 lb 2251 lb 1677 lb 4672 lb 1440 lb 0 lb 0 lb 0 lb 305 lb 0 lb 16 lb 0 lb	Structure Notes: 1. PER ASTM C-478 SPECIFICATIONS 2. CONCRETE: 4,000 PSI AT 28 DAYS 3. REINFORCEMENT: PER ASTM A615 4. INVERT CHANNEL REQUIRED 5. CONBLOCK CDA RED ADMIXTURE REQUIRED 6. STEPS AT 0 DEGREES 7. HOE MC-350 FRAME & COVER "SANITARY" SUPPLIED BY ICAST
Structure Total:		10360 lb

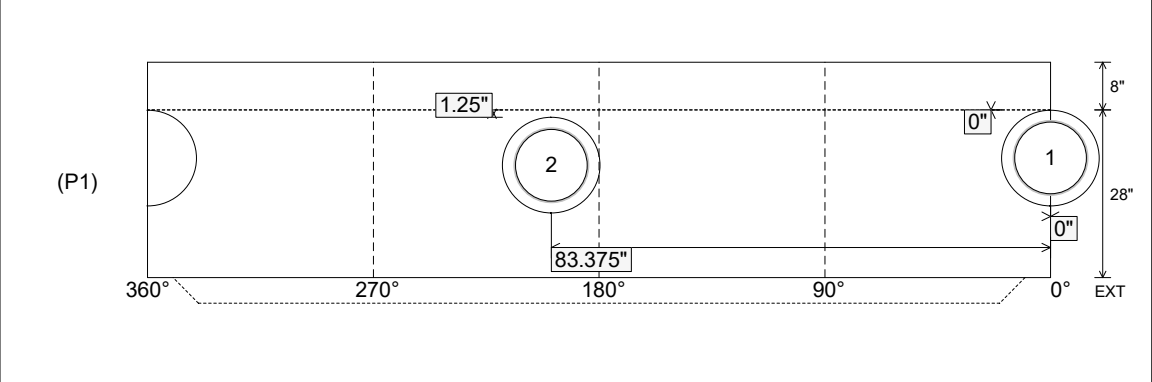
Rim: 718.01' Rim to Invert: 7.78' Slack: 0.36" Sump: 2" Step Position: 0°

Position	Elev	Angle	Ext. (cw)	Pipe	Pipe OD	Connector	Hole	Horz Size	Up ()	Offset
Invert 1	710.23'	0°	0"	12" PVC SDR26	12.5"	PSX 16L NYLO	16"	16.312"	0"	0"
Invert 2	710.33'	199°	100.75"	12" PVC SDR35	12.5"	PSX 16L NYLO	16"	16.312"	1.25"	0"
Invert 3										
Invert 4										
Invert 5										
Invert 6										
Invert 7										
Invert 8										

RIGHT-SIDE UP VIEW (int. dimensions) UPSIDE-DOWN VIEW (int. dimenions)



INSIDE WALL DIMENSIONS



Coating (Int): Coating (Ext):	Seam Up: Tongue Seam Dn: n/a	Wall Thickness: 5" Floor Height: 8"	Height (Int): 28" Height (Ext): 36"	Weight (Net): 4672 lb Volume (Net): 1.19cu.yd
----------------------------------	---------------------------------	--	--	--