

Job Name: 26-1643 - Jackson Utility Relocation
 Job Location: Jackson, KY
 Contractor: Triton Construction, Inc.

Plant: 100

Tech: J. Horsley

3/31/2026 7:24:59 AM

PC: E. Bradley



Structure ID: N423-4 SS-MH

P1 MH048BAEVFCDARED

MH BASE w/FLANGE (08F/08EF) w/ConBlock-CDA Red T/n

- P3) 24" - CASTING HEIGHT - 7"
- P2) 48" - MH FLAT TOP w/24" Hole ECC w/ConBlock-CDA Red F/G - 12"
- P1) 48" - MH BASE w/FLANGE (08F/08EF) w/ConBlock-CDA Red T/n - 30"
- 1) 48" - MH INVERT CHANNEL w/ConBlock-CDA Red - FULL HEIGHT
- 1) JOINT WRAP - 0.065"x6"x50" CONSEAL CS212
- 1) JOINT WRAP PRIMER - CONSEAL CS-75 (1 gal.)
- 1) ADMIXTURE CONBLOCK CDA RED
- 1) CASTING - HOE MC-350 F/C Sanitary
- 1) 48" - Conseal CS-102 1.00" (Double)
- 2) PSX - 16L NYLO
- 2) MH Step ML-10-TDS-NCR - 10"

0 lb
 1580 lb
 4811 lb
 1440 lb
 0 lb
 0 lb
 0 lb
 0 lb
 305 lb
 0 lb
 16 lb
 0 lb

 8152 lb

Structure Notes:

1. PER ASTM C-478 SPECIFICATIONS
2. CONCRETE: 4,000 PSI AT 28 DAYS
3. REINFORCEMENT: PER ASTM A615
4. INVERT CHANNEL REQUIRED
5. CONBLOCK CDA RED ADMIXTURE REQUIRED
6. STEPS AT 0 DEGREES
7. HOE MC-350 FRAME & COVER "SANITARY" SUPPLIED BY ICAST

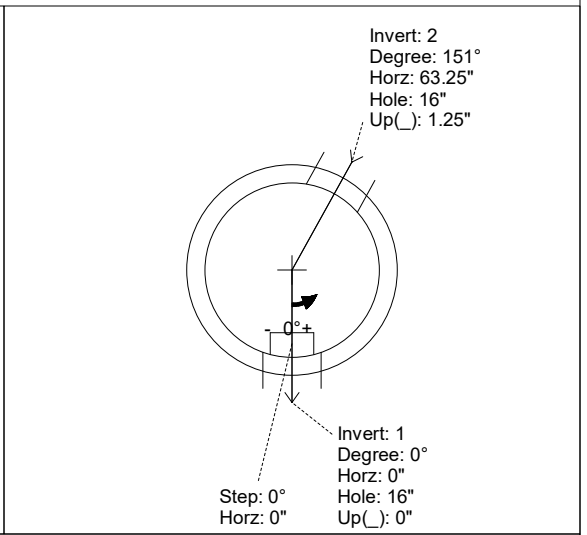
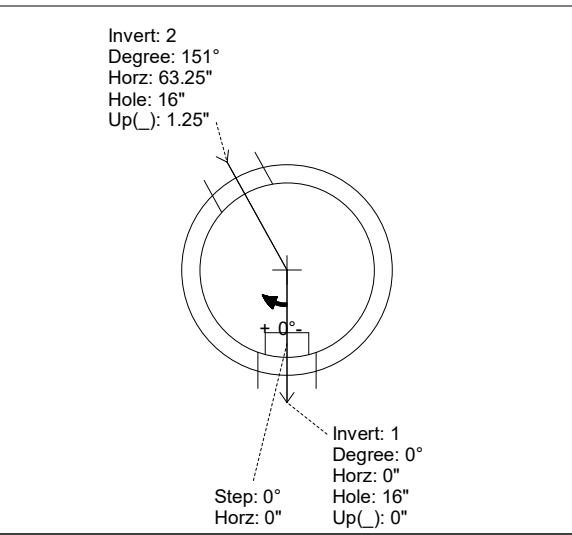
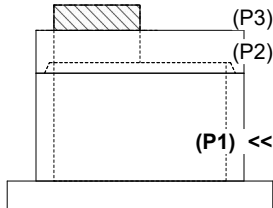
Structure Total: 8152 lb

Rim: 714' Rim to Invert: 3.99' Slack: 0.88' Sump: 2' Step Position: 0°

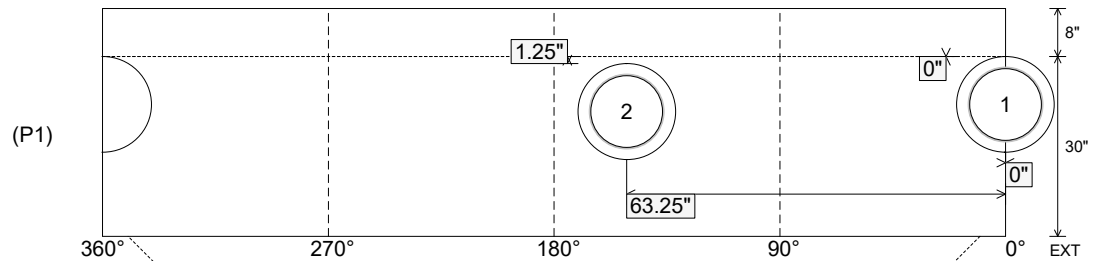
Position	Elev	Angle	Ext. (cw)	Pipe	Pipe OD	Connector	Hole	Horz Size	Up ()	Offset
Invert 1	710.01'	0°	0"	12" PVC SDR35	12.5"	PSX 16L NYLO	16"	16.312"	0"	0"
Invert 2	710.11'	151°	76.375"	12" PVC SDR35	12.5"	PSX 16L NYLO	16"	16.312"	1.25"	0"
Invert 3										
Invert 4										
Invert 5										
Invert 6										
Invert 7										
Invert 8										

RIGHT-SIDE UP VIEW (int. dimensions)

UPSIDE-DOWN VIEW (int. dimensions)



INSIDE WALL DIMENSIONS



Coating (Int):
 Coating (Ext):

Seam Up: Tongue
 Seam Dn: n/a

Wall Thickness: 5"
 Floor Height: 8"

Height (Int): 30"
 Height (Ext): 38"

Weight (Net): 4811 lb
 Volume (Net): 1.23cu.yd

Job Name: 26-1643 - Jackson Utility Relocation
 Job Location: Jackson, KY
 Contractor: Triton Construction, Inc.

Plant: 100

3/31/2026 7:24:59 AM

Tech: J. Horsley

PC: E. Bradley



Structure ID: N423-4 SS-MH

P1 MH048BAEVFCDARED

MH BASE w/FLANGE (08F/08EF) w/ConBlock-CDA Red F/n

- P3) 24" - CASTING HEIGHT - 7"
- P2) 48" - MH FLAT TOP w/24" Hole ECC w/ConBlock-CDA Red F/G - 12"
- P1) 48" - MH BASE w/FLANGE (08F/08EF) w/ConBlock-CDA Red T/n - 30"
- 1) 48" - MH INVERT CHANNEL w/ConBlock-CDA Red - FULL HEIGHT
- 1) JOINT WRAP - 0.065"x6"x50" CONSEAL CS212
- 1) JOINT WRAP PRIMER - CONSEAL CS-75 (1 gal.)
- 1) ADMIXTURE CONBLOCK CDA RED
- 1) CASTING - HOE MC-350 F/C Sanitary
- 1) 48" - Conseal CS-102 1.00" (Double)
- 2) PSX - 16L NYLO
- 2) MH Step ML-10-TDS-NCR - 10"

0 lb
 1580 lb
 4811 lb
 1440 lb
 0 lb
 0 lb
 0 lb
 0 lb
 305 lb
 0 lb
 16 lb
 0 lb

 8152 lb

- Structure Notes:**
1. PER ASTM C-478 SPECIFICATIONS
 2. CONCRETE: 4,000 PSI AT 28 DAYS
 3. REINFORCEMENT: PER ASTM A615
 4. INVERT CHANNEL REQUIRED
 5. CONBLOCK CDA RED ADMIXTURE REQUIRED
 6. STEPS AT 0 DEGREES
 7. HOE MC-350 FRAME & COVER "SANITARY" SUPPLIED BY ICAST

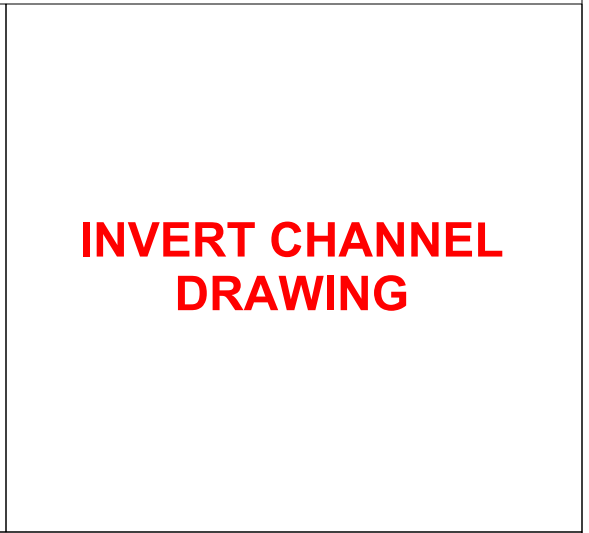
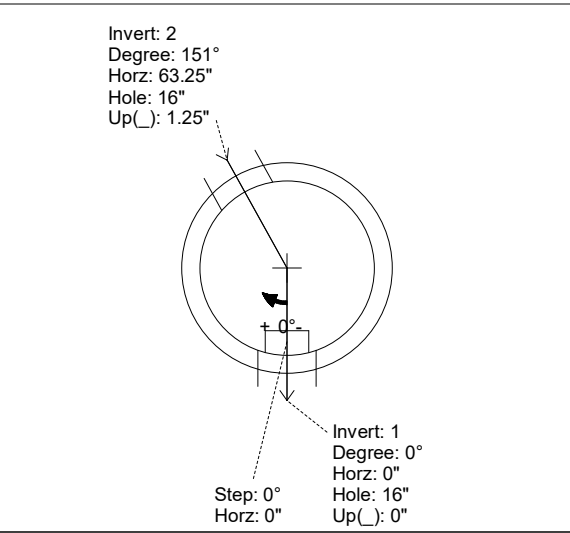
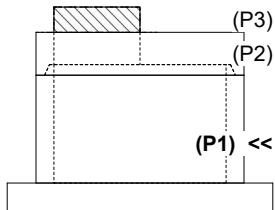
Structure Total: 8152 lb

Rim: 714' Rim to Invert: 3.99' Slack: 0.88" Sump: 2" Step Position: 0°

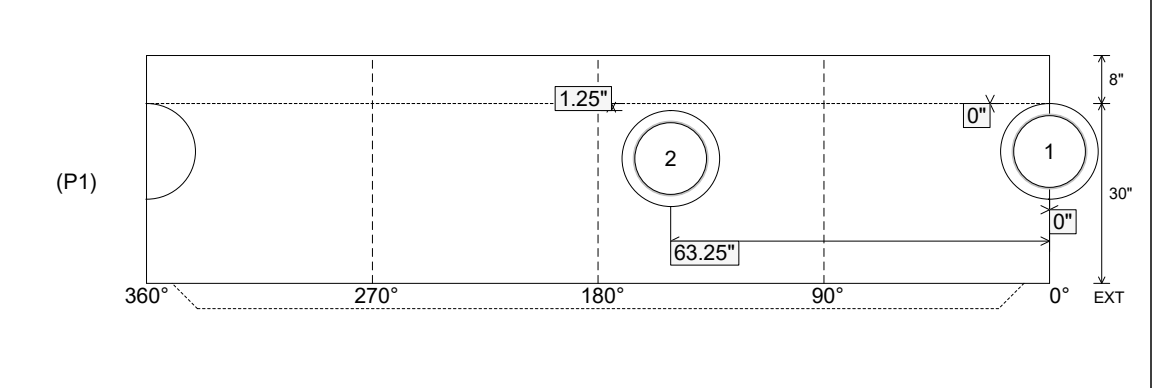
Position	Elev	Angle	Ext. (cw)	Pipe	Pipe OD	Connector	Hole	Horz Size	Up ()	Offset
Invert 1	710.01'	0°	0"	12" PVC SDR35	12.5"	PSX 16L NYLO	16"	16.312"	0"	0"
Invert 2	710.11'	151°	76.375"	12" PVC SDR35	12.5"	PSX 16L NYLO	16"	16.312"	1.25"	0"
Invert 3										
Invert 4										
Invert 5										
Invert 6										
Invert 7										
Invert 8										

RIGHT-SIDE UP VIEW (int. dimensions)

UPSIDE-DOWN VIEW (int. dimenions)



INSIDE WALL DIMENSIONS



Coating (Int):
 Coating (Ext):

Seam Up: Tongue
 Seam Dn: n/a

Wall Thickness: 5"
 Floor Height: 8"

Height (Int): 30"
 Height (Ext): 38"

Weight (Net): 4811 lb
 Volume (Net): 1.23cu.yd