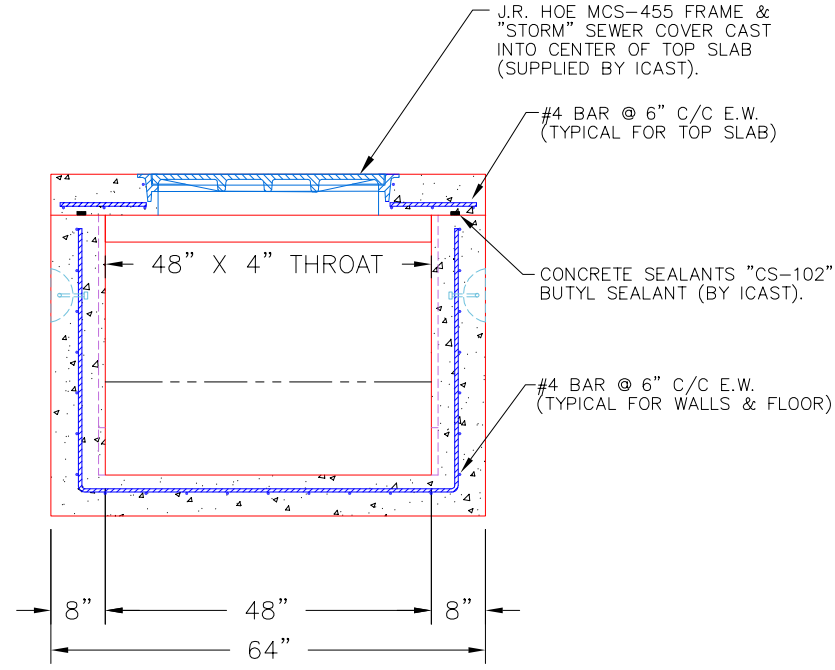
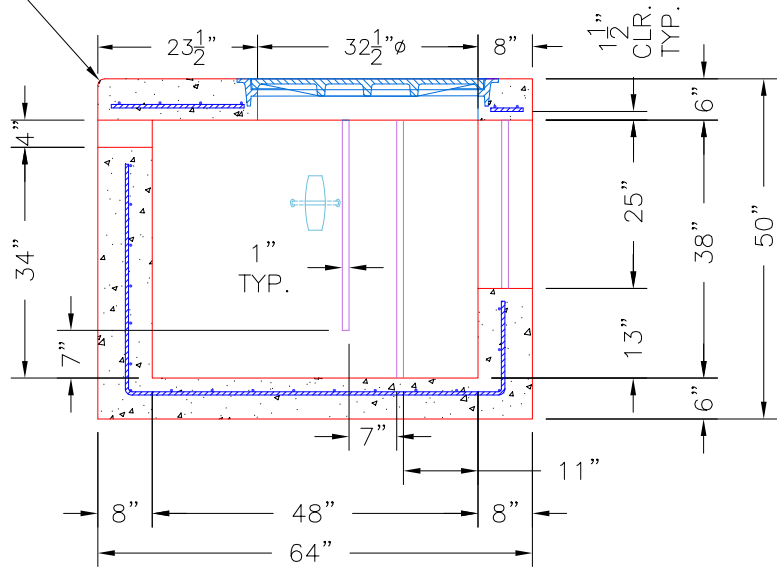
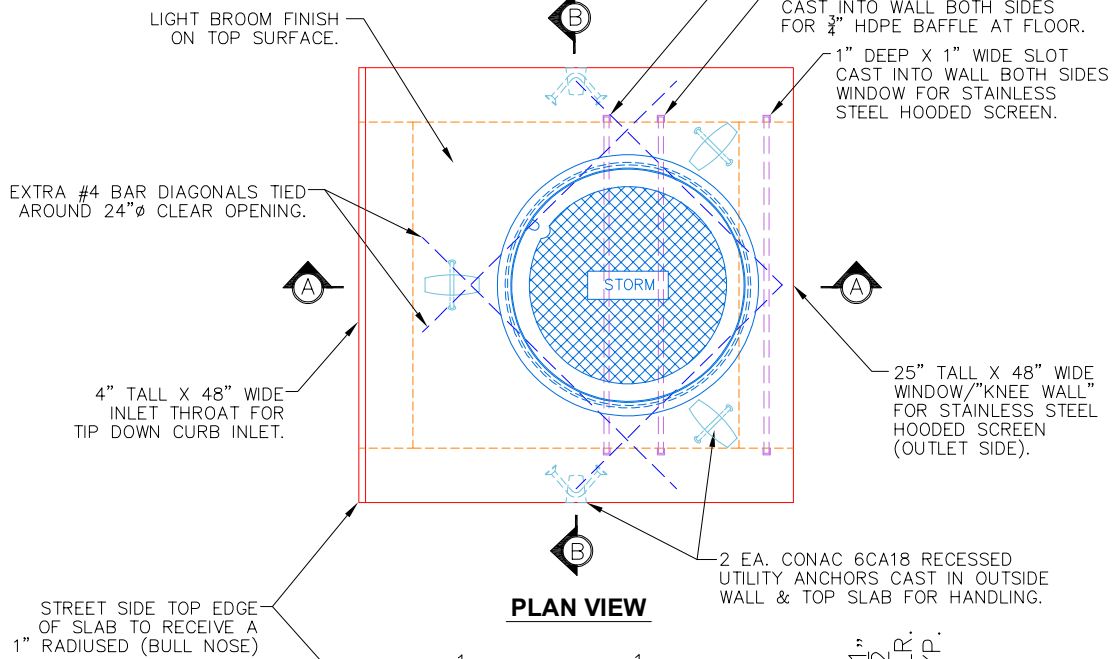


**GENERAL NOTES:**

1. MANUFACTURED PER ASTM C-913 (LATEST REVISION).
2. CONCRETE F'C: 4,500 PSI AT 28 DAYS.
3. REINFORCING: #4 BAR @ 6" C/C E.W. TYPICAL (GRADE 60).
4. JOINT SEALED WITH CONCRETE SEALANTS CS-102. MEETS ASTM C-990 SPECIFICATIONS (SUPPLIED BY ICAST).
5. J.R. HOE MCS-455 FRAME & SOLID "STORM" COVER CAST OFFSET INTO TOP SLAB (SUPPLIED BY ICAST).
6. CONCRETE WEIGHTS: 38" TALL BASE = 6,900 LBS.  
6" TOP SLAB = 1,650 LBS.

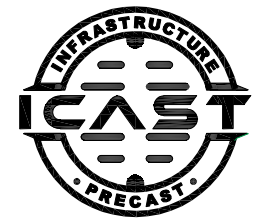


**SECTION A-A**

**SECTION B-B**

**REVISIONS**

REV.	DATE	DESCRIPTION
0	00/00/00	NO REVISIONS TO DATE.



SUBMITTAL DRAWING #: 4X4CI-PRETX		
CUSTOMER: CONVERGENT WATER TECHNOLOGIES		
PROJECT: VARIOUS		
STRUCTURE ID.: 48"X48" PRETX CURB INLET (TYPICAL)		
QUOTE/SALES ORDER NO: TBD		
PM: J.H. ROSS, PE	DRAWN BY: N. RICHARDS	
DATE: 02/23/26	SCALE: NTS	PG. 1 of 1