

4

3

2

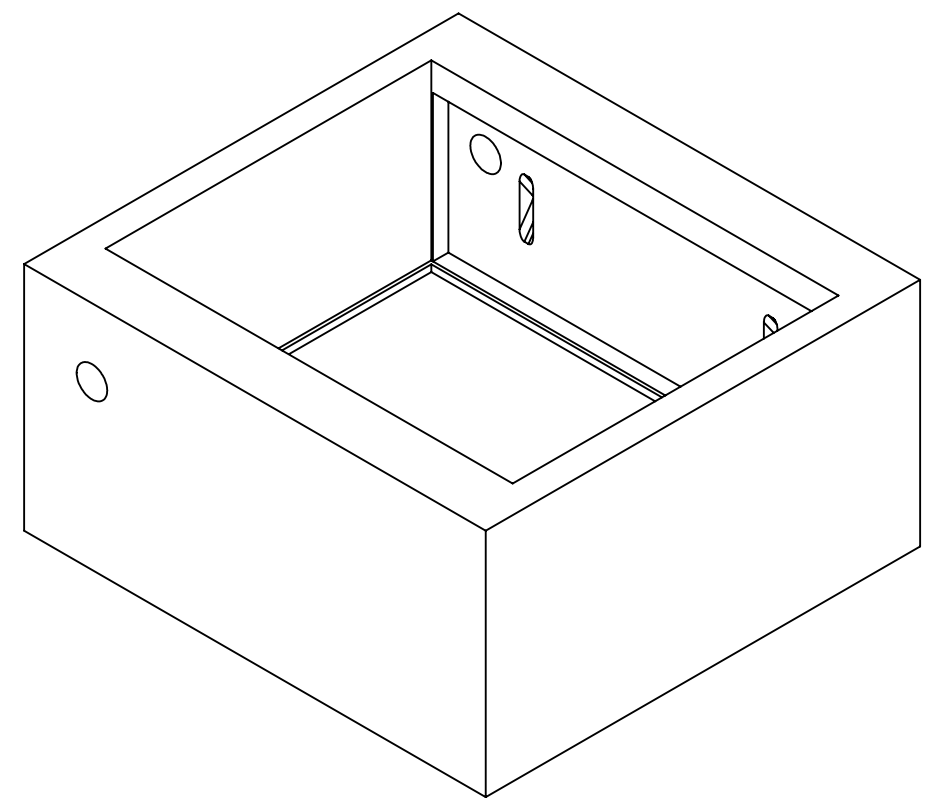
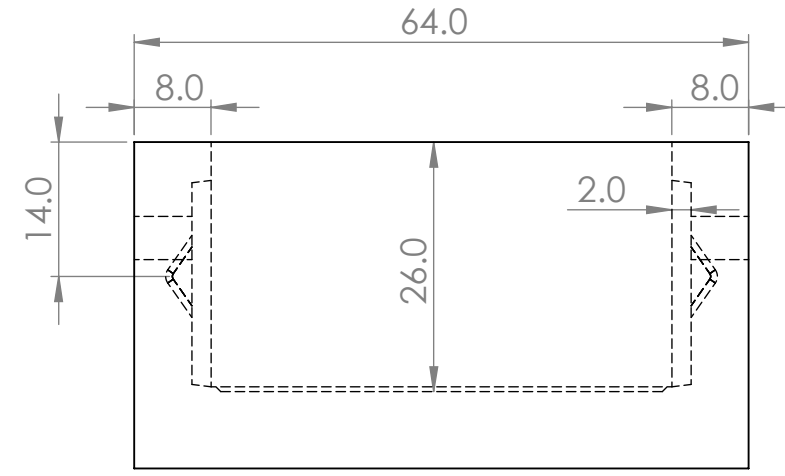
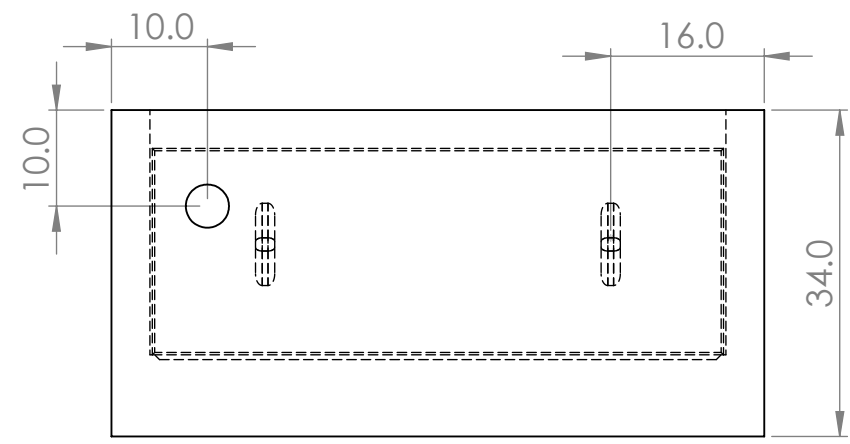
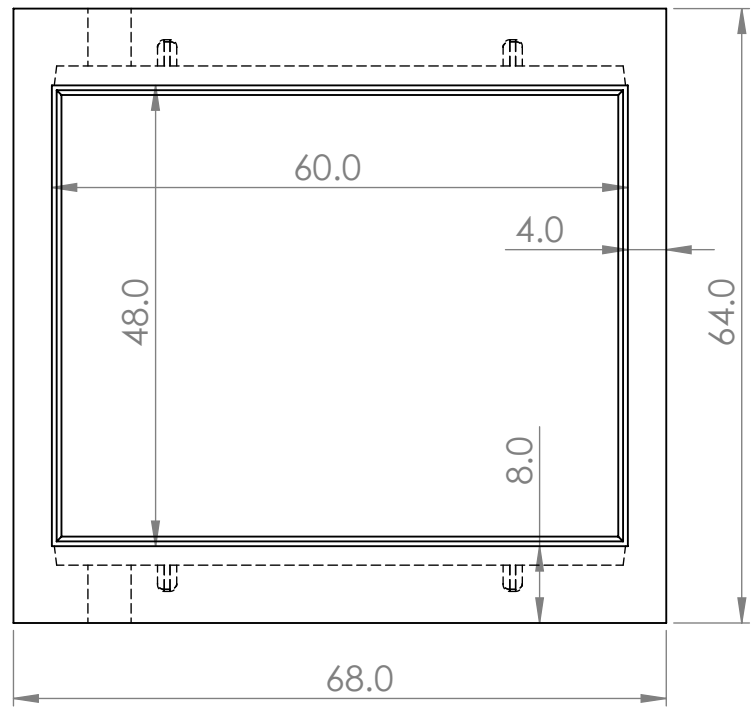
1

B

B

A

A



NOTES:

- 1. Concrete: 5000 PSI Minimum
 - a. 650 LBS Cement
 - b. 3/4" Aggregate Size
 - c. 0.45 w/c Ratio
 - d. air content: 5%
- 2. Reinforcing Bar: See "STA Rebar"
- 3. Weight: 5890 lbs.

PROPRIETARY AND CONFIDENTIAL
 THE INFORMATION CONTAINED IN THIS DRAWING IS THE SOLE PROPERTY OF ENDESOL INC. ANY REPRODUCTION IN PART OR AS A WHOLE WITHOUT THE WRITTEN PERMISSION OF ENDESOL INC. IS PROHIBITED.

		UNLESS OTHERWISE SPECIFIED:		NAME	DATE
		DIMENSIONS ARE IN INCHES TOLERANCES: FRACTIONAL ± 1/8"		DRAWN	CMJ 1-15-16
		TWO PLACE DECIMAL ±.13 THREE PLACE DECIMAL ±.125		CHECKED	JHR 1-15-16
		INTERPRET GEOMETRIC TOLERANCING PER:		ENG APPR.	xxxx xxxx
		MATERIAL CONCRETE		MFG APPR.	xxxx xxxx
		FINISH N/A		Q.A.	xxxx xxxx
NEXT ASSY	USED ON			COMMENTS:	
APPLICATION		DO NOT SCALE DRAWING			
ENDESOL					
TITLE: EFX-60 Stationary Unit					
SIZE	DWG. NO.			REV	
B	EFX-60 Stationary			X	
SCALE: 1:20		WEIGHT:		SHEET 1 OF 1	

4

3

2

1