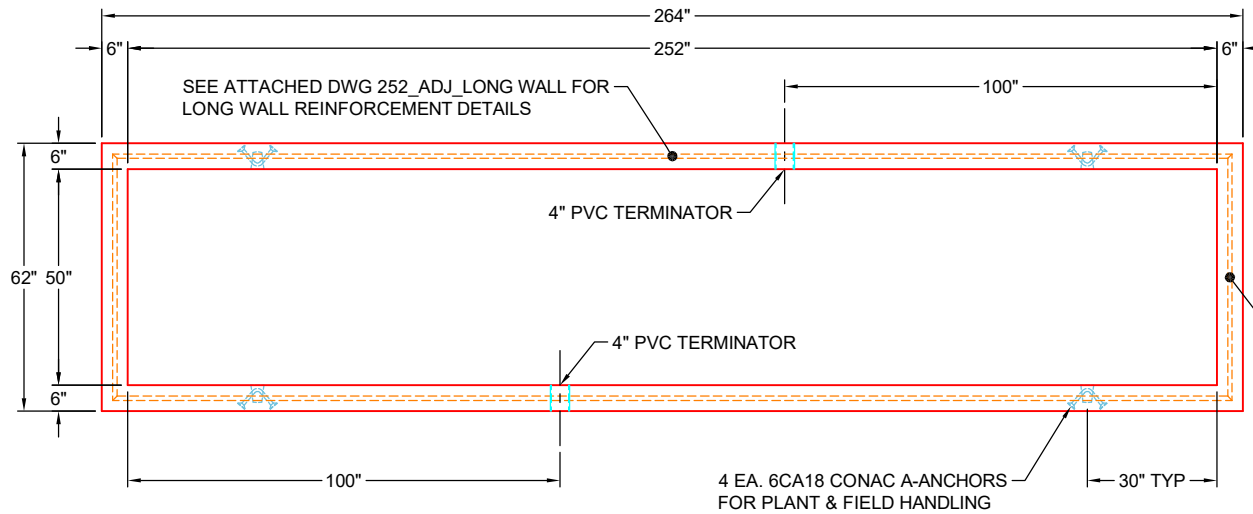
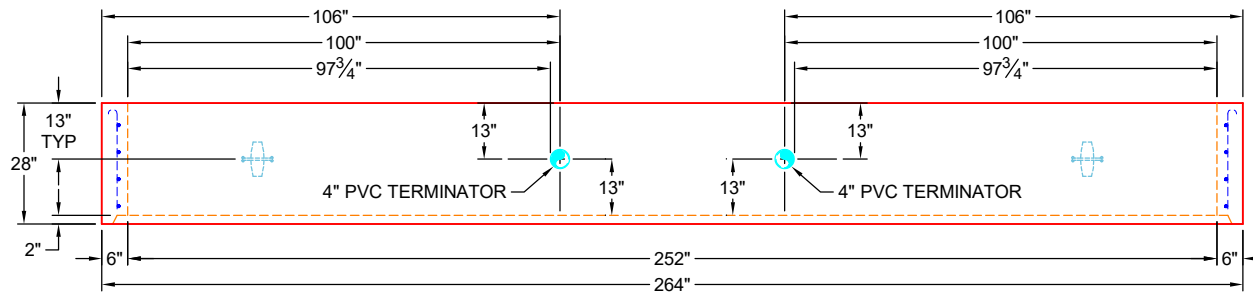


**GENERAL NOTES:**

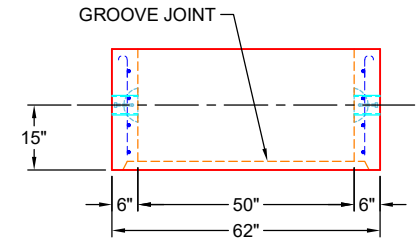
1. MANUFACTURED TO ASTM C-913 (LATEST REVISION)
2. CONCRETE: 5,000 PSI AT 28 DAYS
3. REINFORCEMENT - MIN. 1½" REBAR  
CLEARANCE:  
- LONG WALLS: PER ATTACHED DWG 252\_ADJ\_LONG WALL  
- SHORT WALLS: PER ATTACHED DWG SHORT WALL
4. WEIGHTS: 9,178 LBS



**PLAN VIEW  
(RIGHT SIDE UP)**



**FRONT VIEW  
(RIGHT SIDE UP)**



**SIDE VIEW  
(RIGHT SIDE UP)**

**PRODUCTION WORK ORDER**

PRODUCT I.D.: CVR

DESCRIPTION: 50" X 252" X 28" RISER



**QUALITY CONTROL CHECKLIST**

- ALL DIMENSIONS CORRECT.
- LIFTERS INSTALLED.
- HOLE LOCATION(S) CORRECT.
- REINFORCING CORRECT.
- SURFACE QUALITY ACCEPTABLE.
- EDGES CHAMFERED.
- GROOVE JOINT INSTALLED.

PRODUCT VIEW: UPSIDE DOWN

CUSTOMER: ENDESOL, INC.

PLANT: BEAVER DAM, KY

PROJECT: 4-23 691254775

WEIGHT: 9,178 LBS

STRUCTURE: 2-61618 2 (EFX-60 21 PN VAULT)

TOP SECTION JOINT: GROOVE

ORDER NO: 26-1618

BASE SECTION JOINT: N / A

PE: J.H. ROSS

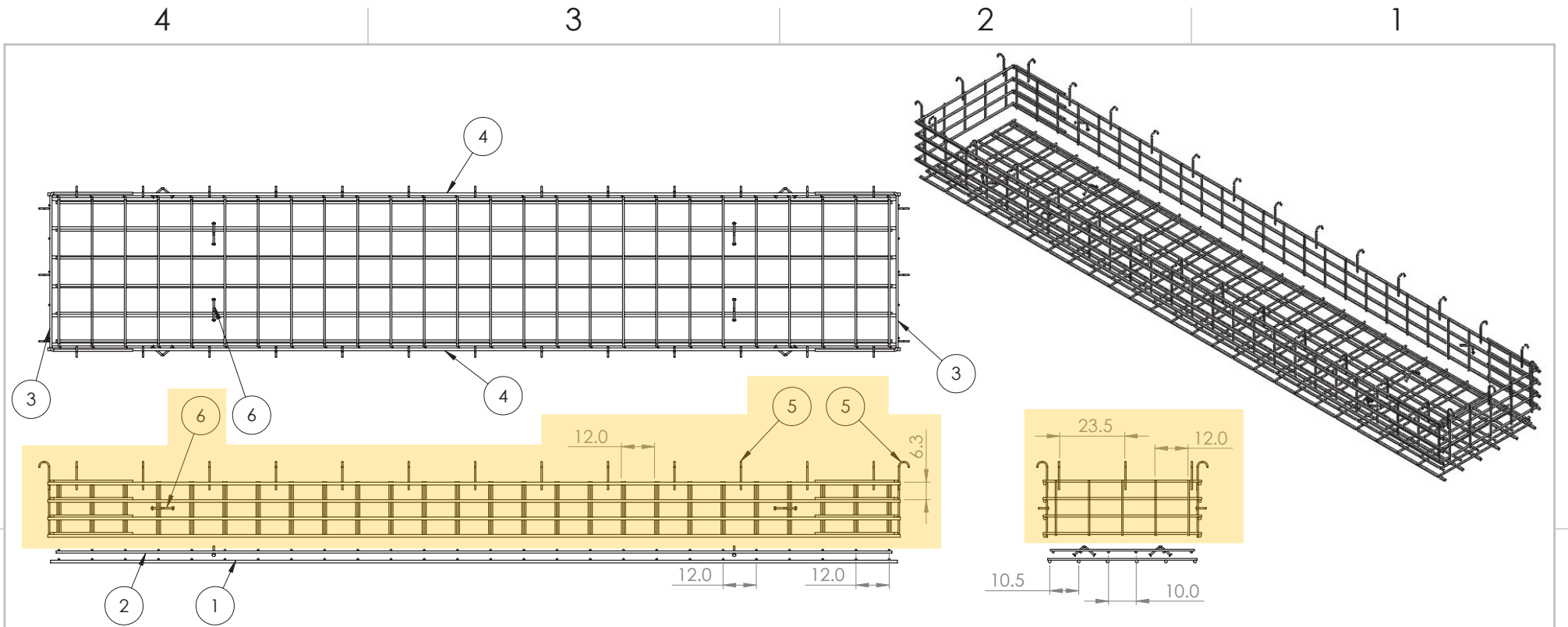
DRAWING: J.HORSLEY

QC CHECK INITIALS:

DATE: 04/24/26

SCALE: NTS

PG. 1 OF 1



| ITEM NO. | PART NUMBER         | Qty. |
|----------|---------------------|------|
| 1        | 252_Base_Bottom Mat | 1    |
| 2        | 252_Base_Top Mat    | 1    |
| 3        | Short Wall          | 2    |
| 4        | 252_ADJ_Long Wall   | 2    |
| 5        | #4 0904J            | 32   |
| 6        | 6CA18               | 8    |

NOTES:

1. Rebar: #5, #6, #8 A614 Grade 60
2. All Rebar to have 1.5" Cover Minimum

**PROPRIETARY AND CONFIDENTIAL**  
 THE INFORMATION CONTAINED IN THIS DRAWING IS THE SOLE PROPERTY OF ENDESOL INC. ANY REPRODUCTION IN PART OR AS A WHOLE WITHOUT THE WRITTEN PERMISSION OF ENDESOL INC. IS PROHIBITED.

|             |                  |                                      |                      |  |                |
|-------------|------------------|--------------------------------------|----------------------|--|----------------|
|             |                  | UNLESS OTHERWISE SPECIFIED:          | NAME                 | DATE                                   | <b>ENDESOL</b> |
|             |                  | DIMENSIONS ARE IN INCHES             | DRAWN                | CMJ                                    |                |
|             |                  | TOLERANCES:                          | CHECKED              | JHR                                    | 3-25-16        |
|             |                  | FRACTIONAL 1/8"                      | ENG APPR.            | XXXX                                   | XXXX           |
|             |                  | TWO PLACE DECIMAL .13                | MFG APPR.            | XXXX                                   | XXXX           |
|             |                  | THREE PLACE DECIMAL .125             | Q.A.                 | XXXX                                   | XXXX           |
|             |                  | INTERPRET GEOMETRIC TOLERANCING PER: | COMMENTS:            |  |                |
|             |                  | MATERIAL                             | Rebar A614 G60       |  |                |
|             |                  | FINISH                               | MILL                 |  |                |
| NEXT ASSY   | USED ON          | APPLICATION                          | DO NOT SCALE DRAWING |  |                |
|             |                  | TITLE:                               |                      | EFX-60 Adjustable Section Rebar Layout |                |
| SIZE        | DWG. NO.         | REV                                  |                      |  |                |
| <b>B</b>    | EFX-60 ADJ Rebar | <b>X1</b>                            |                      |  |                |
| SCALE: 1:50 |                  | WEIGHT:                              | SHEET 1 OF 1         |  |                |

**PROJECT: 4-23 691254775**  
**STRUCTURE: 2-61618 2**  
**JOB NUMBER: 26-1618**

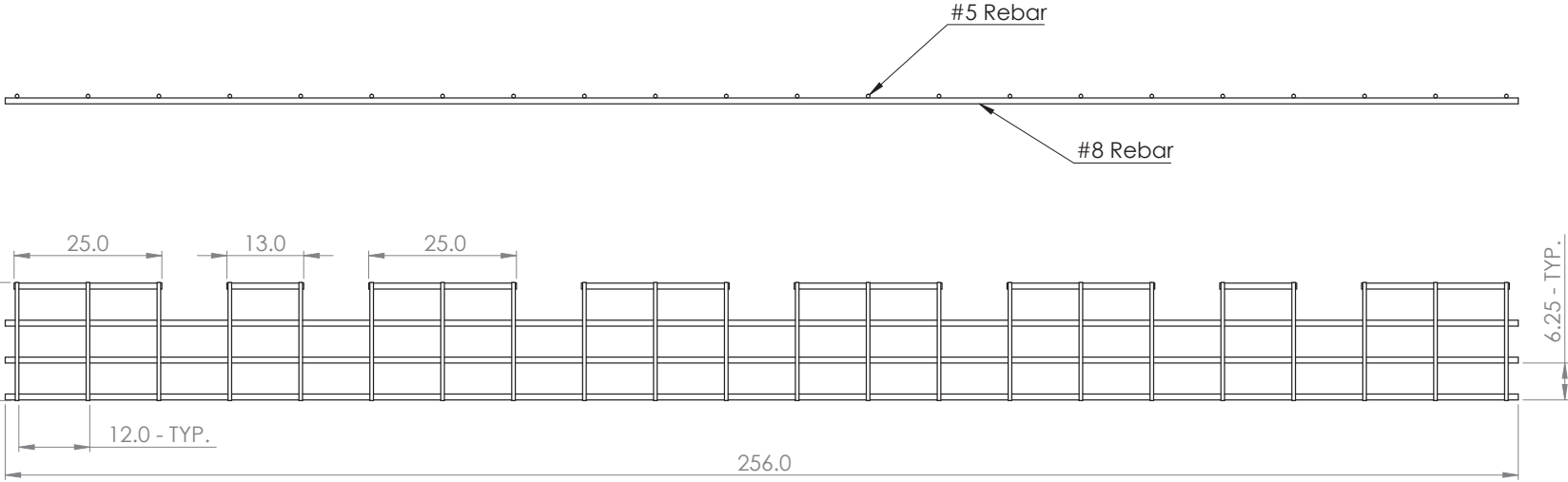
4

3

2

1

| ITEM NO. | PART NUMBER | DESCRIPTION | QTY. |
|----------|-------------|-------------|------|
| 1        | #8_256.0    | #8 Rebar    | 3    |
| 2        | #5_20.0     | #5 Rebar    | 22   |
| 3        | #8_25.0     | #8 Rebar    | 6    |
| 4        | #8_13.0     | #8 Rebar    | 2    |



981 W. 7th Street  
 Beaver Dam, KY  
 42320  
 P 270-363-2238  
 F 270-363-2234  
 iCastinc.com

DIMENSIONS ARE IN INCHES  
 TOLERANCES:  
 FRACTIONAL ±  
 ANGULAR: MACH ± BEND ±  
 DECIMAL ± 0.5"

MATERIAL

FINISH

DO NOT SCALE DRAWING

|           | NAME | DATE   |
|-----------|------|--------|
| DRAWN     | CMJ  | 8/3/20 |
| CHECKED   | JHR  | 8/3/20 |
| ENG APPR. |      |        |
| MFG APPR. |      |        |
| Q.A.      |      |        |
| COMMENTS: |      |        |

PROPRIETARY AND CONFIDENTIAL  
 THE INFORMATION CONTAINED IN THIS DRAWING IS THE SOLE PROPERTY OF  
 INFRASTRUCTURE PRECAST INC. (iCast). ANY REPRODUCTION IN PART OR  
 AS A WHOLE WITHOUT THE WRITTEN PERMISSION OF iCast IS PROHIBITED.

| SIZE        | DWG. NO.          | REV.         |
|-------------|-------------------|--------------|
| B           | 252_ADJ_Long Wall |              |
| SCALE: 1:50 | WEIGHT:           | SHEET 1 OF 1 |

4

3

2

1

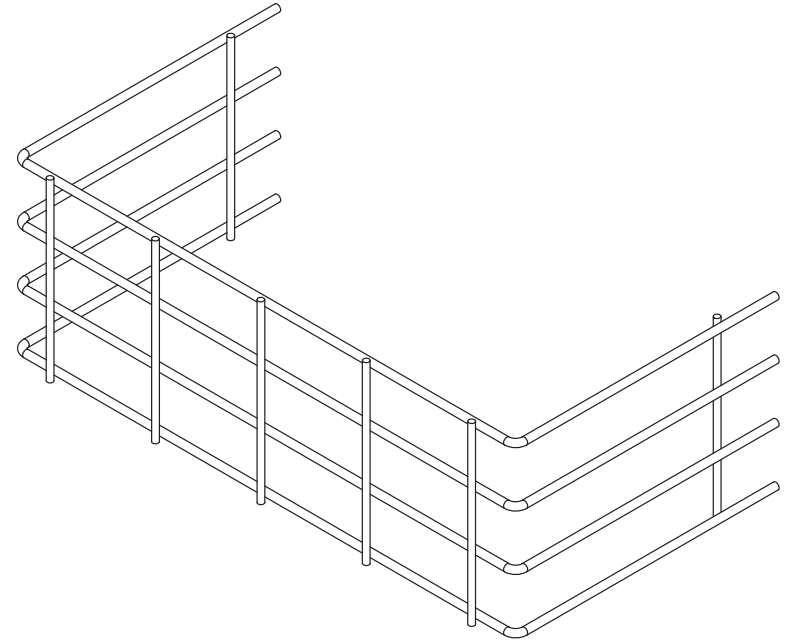
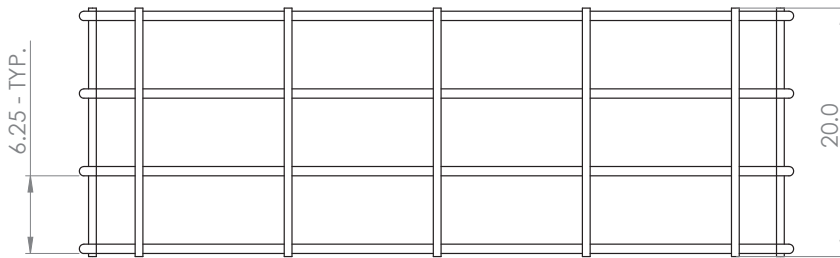
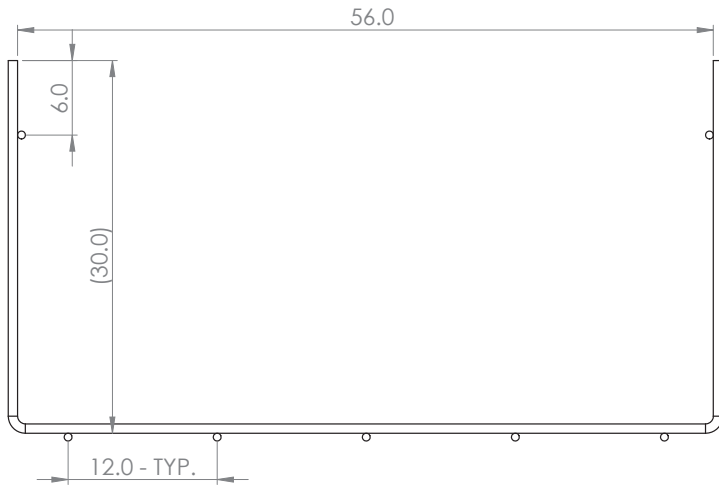
**PROJECT: 4-23 691254775**  
**STRUCTURE: 2-61618 2**  
**JOB NUMBER: 26-1618**

4

3

2

1



| ITEM NO. | PART NUMBER | DESCRIPTION     | QTY. |
|----------|-------------|-----------------|------|
| 1        | 6SH         | #6 Formed Rebar | 4    |
| 2        | #5_20.0     | #5 Rebar        | 7    |



981 W. 7th Street  
Beaver Dam, KY  
42320  
P 270-363-2238  
F 270-363-2234  
iCastinc.com

DIMENSIONS ARE IN INCHES  
TOLERANCES:  
FRACTIONAL ±  
ANGULAR: MACH ± BEND ±  
TWO PLACE DECIMAL ±  
THREE PLACE DECIMAL ±

MATERIAL

FINISH

DO NOT SCALE DRAWING

|           | NAME | DATE |
|-----------|------|------|
| DRAWN     | xxx  |      |
| CHECKED   |      |      |
| ENG APPR. |      |      |
| MFG APPR. |      |      |
| Q.A.      |      |      |
| COMMENTS: |      |      |

| SIZE        | DWG. NO.   | REV.         |
|-------------|------------|--------------|
| B           | Short Wall |              |
| SCALE: 1:10 | WEIGHT:    | SHEET 1 OF 1 |

4

3

2

1

PROJECT: 4-23 691254775  
STRUCTURE: 2-61618 2  
JOB NUMBER: 26-1618

**Job Number:**

26-1618

**Job Name:**

4-23 691254775

**Structure:**

EFX-60 21 PN Vault (2)

**Note:**

Nosing Kit To Be Shipped. See Chad Jarvis.