

4

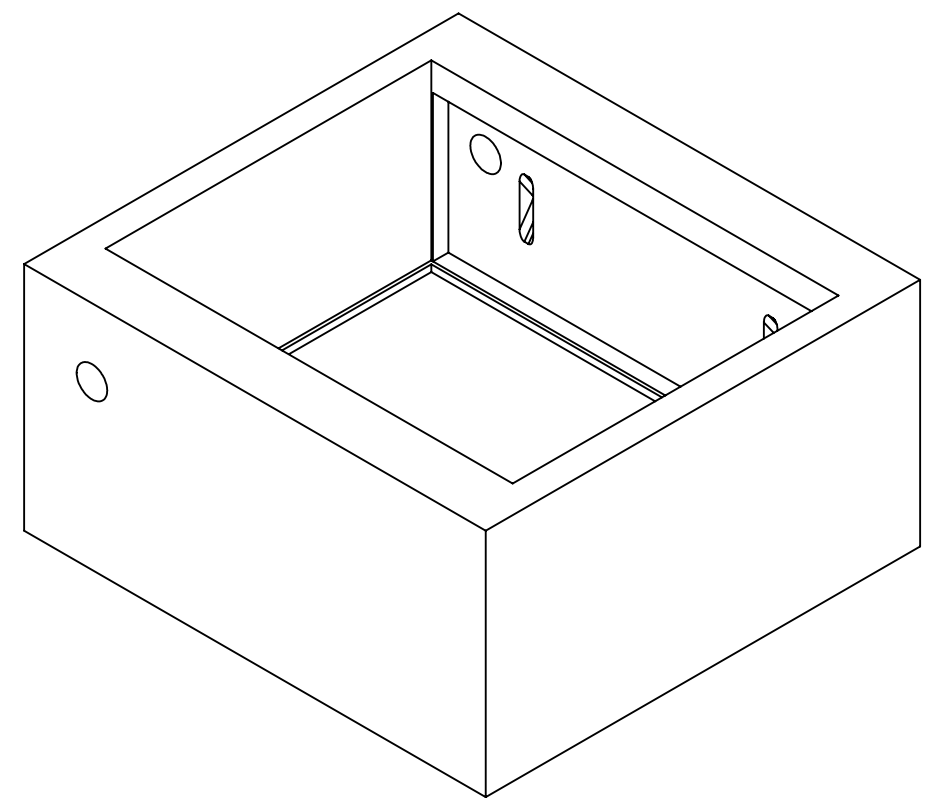
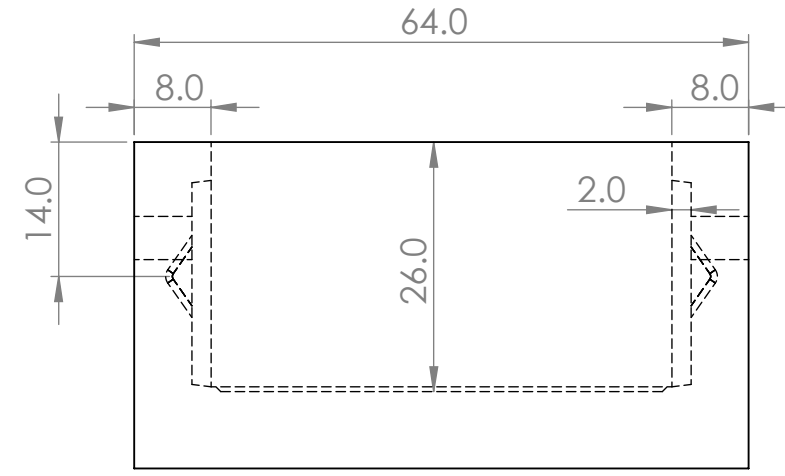
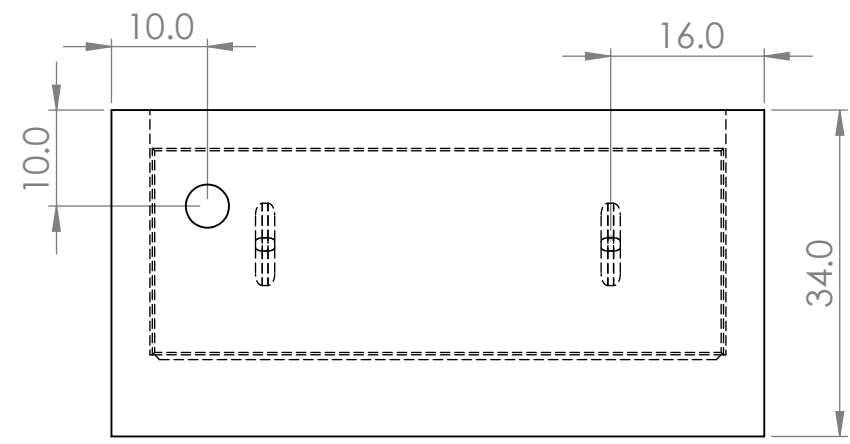
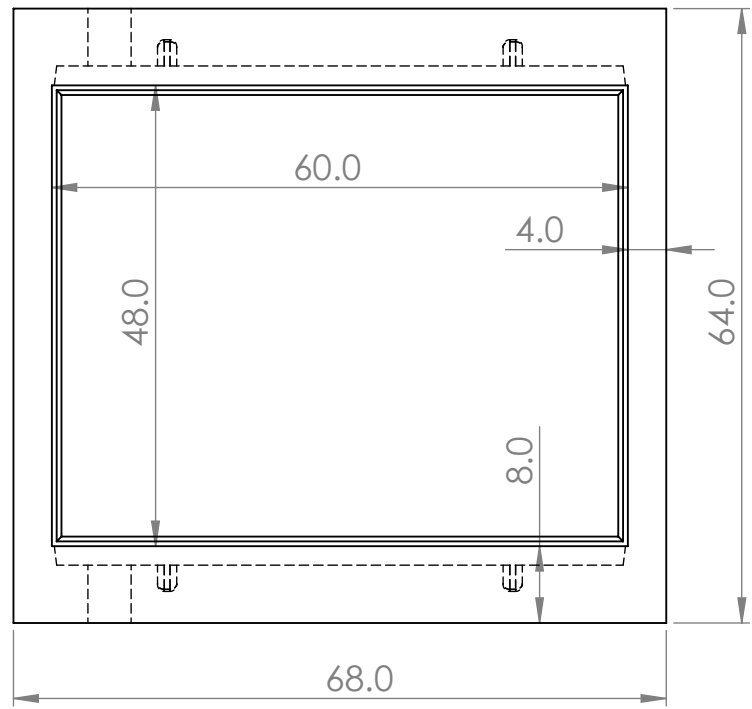
3

2

1

B

B



NOTES:

- 1. Concrete: 5000 PSI Minimum
  - a. 650 LBS Cement
  - b. 3/4" Aggregate Size
  - c. 0.45 w/c Ratio
  - d. air content: 5%
- 2. Reinforcing Bar: See "STA Rebar"
- 3. Weight: 5890 lbs.

A

A

**PROPRIETARY AND CONFIDENTIAL**  
 THE INFORMATION CONTAINED IN THIS DRAWING IS THE SOLE PROPERTY OF ENDESOL INC. ANY REPRODUCTION IN PART OR AS A WHOLE WITHOUT THE WRITTEN PERMISSION OF ENDESOL INC. IS PROHIBITED.

		UNLESS OTHERWISE SPECIFIED:	NAME	DATE
		DIMENSIONS ARE IN INCHES	DRAWN	CMJ
		TOLERANCES:	CHECKED	JHR
		FRACTIONAL ± 1/8"	ENG APPR.	xxxx
		TWO PLACE DECIMAL ±.13	MFG APPR.	xxxx
		THREE PLACE DECIMAL ±.125	Q.A.	xxxx
		INTERPRET GEOMETRIC TOLERANCING PER:	COMMENTS:	
		MATERIAL	CONCRETE	
		FINISH	N/A	
NEXT ASSY	USED ON			
APPLICATION		DO NOT SCALE DRAWING		

**ENDESOL**

TITLE:  
**EFX-60 Stationary Unit**

SIZE	DWG. NO.	REV
<b>B</b>	<b>EFX-60 Stationary</b>	<b>X</b>

SCALE: 1:20    WEIGHT:    SHEET 1 OF 1

4

3

2

1