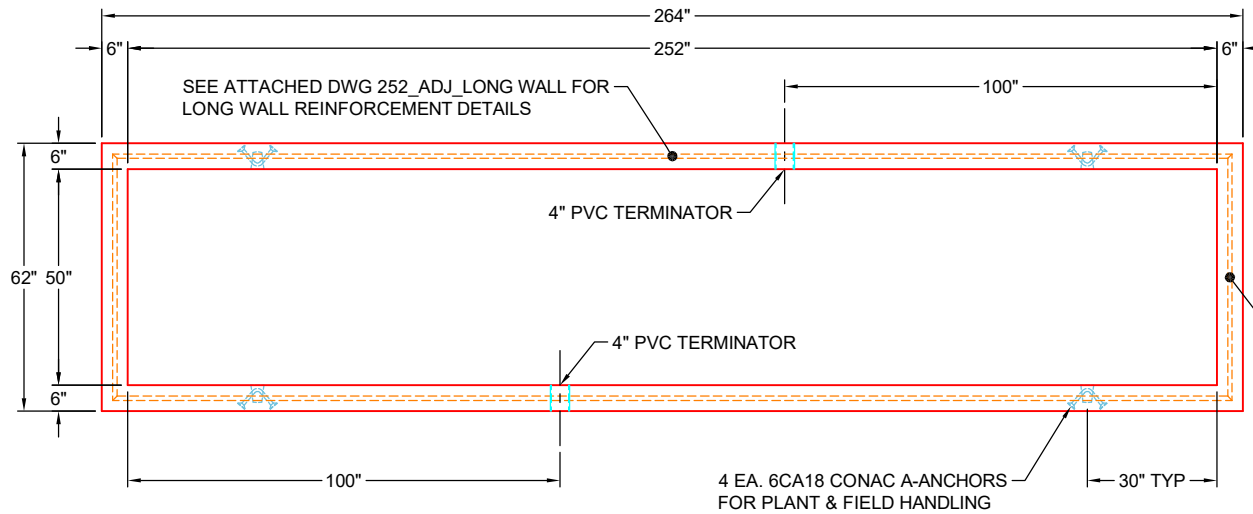
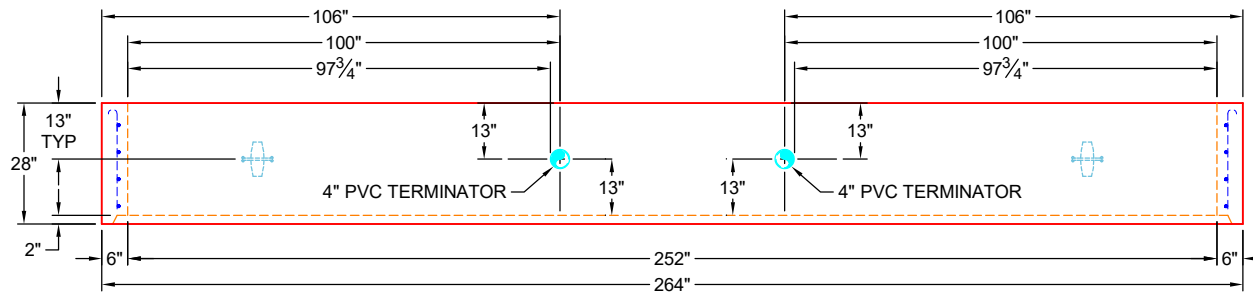


**GENERAL NOTES:**

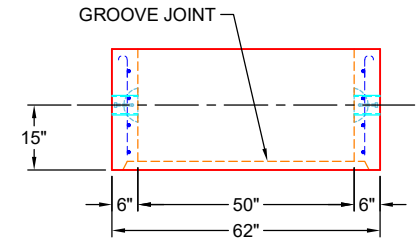
1. MANUFACTURED TO ASTM C-913 (LATEST REVISION)
2. CONCRETE: 5,000 PSI AT 28 DAYS
3. REINFORCEMENT - MIN. 1½" REBAR  
CLEARANCE:  
- LONG WALLS: PER ATTACHED DWG 252\_ADJ\_LONG WALL  
- SHORT WALLS: PER ATTACHED DWG SHORT WALL
4. WEIGHTS: 9,178 LBS




**PLAN VIEW  
(RIGHT SIDE UP)**

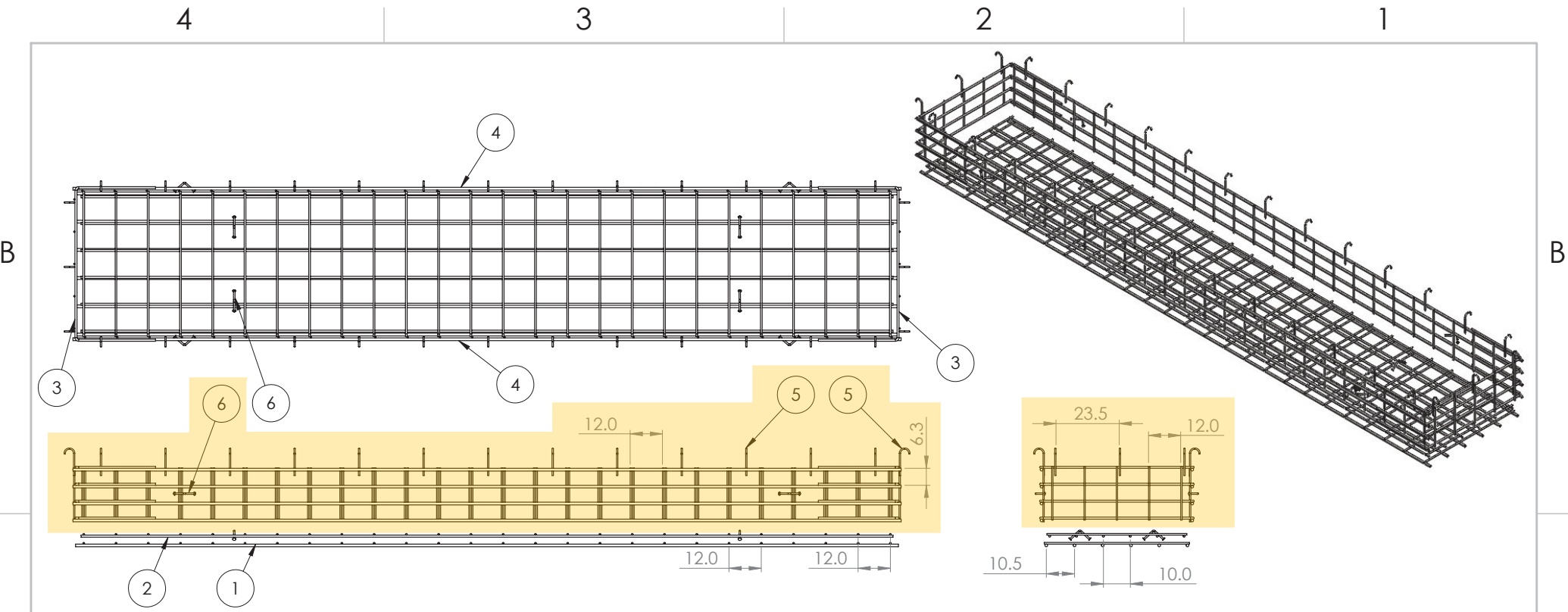


**FRONT VIEW  
(RIGHT SIDE UP)**



**SIDE VIEW  
(RIGHT SIDE UP)**

<b>PRODUCTION WORK ORDER</b>		PRODUCT I.D.: CVR	DESCRIPTION: 50" X 252" X 28" RISER		
	<b>QUALITY CONTROL CHECKLIST</b> <input type="checkbox"/> ALL DIMENSIONS CORRECT. <input type="checkbox"/> LIFTERS INSTALLED. <input type="checkbox"/> HOLE LOCATION(S) CORRECT. <input type="checkbox"/> REINFORCING CORRECT. <input type="checkbox"/> SURFACE QUALITY ACCEPTABLE. <input type="checkbox"/> EDGES CHAMFERED. <input type="checkbox"/> GROOVE JOINT INSTALLED.	PRODUCT VIEW: UPSIDE DOWN	CUSTOMER: ENDESOL, INC.		
		PLANT: BEAVER DAM, KY	PROJECT: 7-27 691254032		
		WEIGHT: 9,178 LBS	STRUCTURE: 2-61617 1 (EFX-60 21 PN VAULT)		
		TOP SECTION JOINT: GROOVE	ORDER NO: 26-1617		
		BASE SECTION JOINT: N / A	PE: J.H. ROSS	DRAWING: J.HORSLEY	
		QC CHECK INITIALS:	DATE: 04/24/26	SCALE: NTS	PG. 1 OF 1



ITEM NO.	PART NUMBER	Qty.
1	252_Base_Bottom Mat	1
2	252_Base_Top Mat	1
3	Short Wall	2
4	252_ADJ_Long Wall	2
5	#4 0904J	32
6	6CA18	8

- NOTES:
1. Rebar: #5, #6, #8 A614 Grade 60
  2. All Rebar to have 1.5" Cover Minimum

**PROPRIETARY AND CONFIDENTIAL**  
 THE INFORMATION CONTAINED IN THIS DRAWING IS THE SOLE PROPERTY OF ENDESOL INC. ANY REPRODUCTION IN PART OR AS A WHOLE WITHOUT THE WRITTEN PERMISSION OF ENDESOL INC. IS PROHIBITED.

UNLESS OTHERWISE SPECIFIED:		NAME	DATE	<b>ENDESOL</b>
DIMENSIONS ARE IN INCHES		DRAWN	CMJ	
TOLERANCES:		CHECKED	JHR	3-25-16
FRACTIONAL 1/8"		ENG APPR.	xxxx	xxxx
TWO PLACE DECIMAL .13		MFG APPR.	xxxx	xxxx
THREE PLACE DECIMAL .125		Q.A.	xxxx	xxxx
INTERPRET GEOMETRIC TOLERANCING PER:		COMMENTS:		
MATERIAL		Rebar A614 G60		
FINISH		MILL		
NEXT ASSY	USED ON	APPLICATION		
DO NOT SCALE DRAWING		SCALE: 1:50 WEIGHT: SHEET 1 OF 1		

**ENDESOL**

TITLE: EFX-60 Adjustable Section Rebar Layout

SIZE <b>B</b>	DWG. NO. EFX-60 ADJ Rebar	REV <b>X1</b>
---------------	---------------------------	---------------

**PROJECT: 7-27 691254032**  
**STRUCTURE: 2-61617 1**  
**JOB NUMBER: 26-1617**

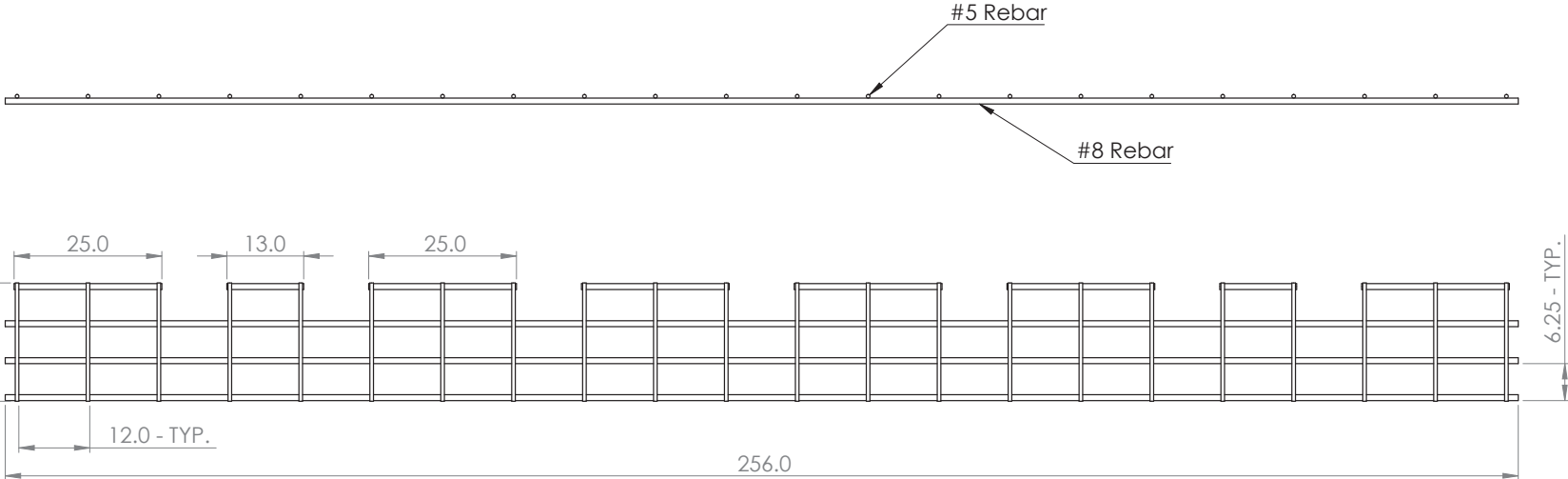
4

3

2

1

ITEM NO.	PART NUMBER	DESCRIPTION	QTY.
1	#8_256.0	#8 Rebar	3
2	#5_20.0	#5 Rebar	22
3	#8_25.0	#8 Rebar	6
4	#8_13.0	#8 Rebar	2



981 W. 7th Street  
 Beaver Dam, KY  
 42320  
 P 270-363-2238  
 F 270-363-2234  
 iCastinc.com

DIMENSIONS ARE IN INCHES  
 TOLERANCES:  
 FRACTIONAL ±  
 ANGULAR: MACH ± BEND ±  
 DECIMAL ± 0.5"

MATERIAL

FINISH  
 DO NOT SCALE DRAWING

	NAME	DATE
DRAWN	CMJ	8/3/20
CHECKED	JHR	8/3/20
ENG APPR.		
MFG APPR.		
Q.A.		
COMMENTS:		

PROPRIETARY AND CONFIDENTIAL  
 THE INFORMATION CONTAINED IN THIS DRAWING IS THE SOLE PROPERTY OF  
 INFRASTRUCTURE PRECAST INC. (iCast). ANY REPRODUCTION IN PART OR  
 AS A WHOLE WITHOUT THE WRITTEN PERMISSION OF iCast IS PROHIBITED.

SIZE DWG. NO. REV.  
**B** 252\_ADJ\_Long Wall  
 SCALE: 1:50 WEIGHT: SHEET 1 OF 1

4

3

2

1

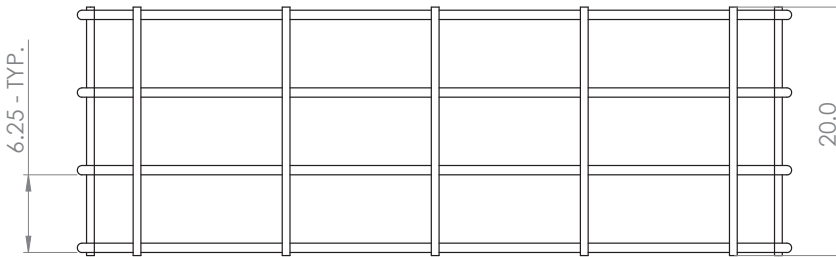
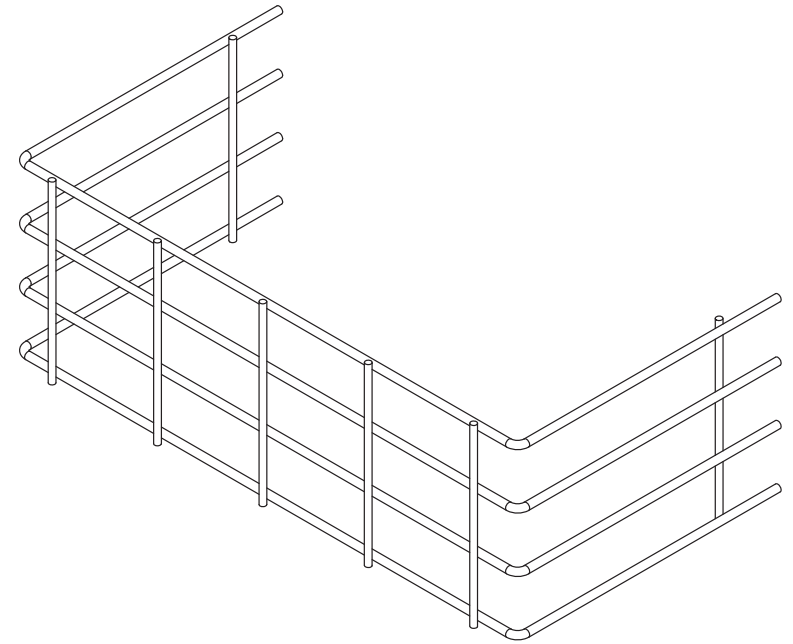
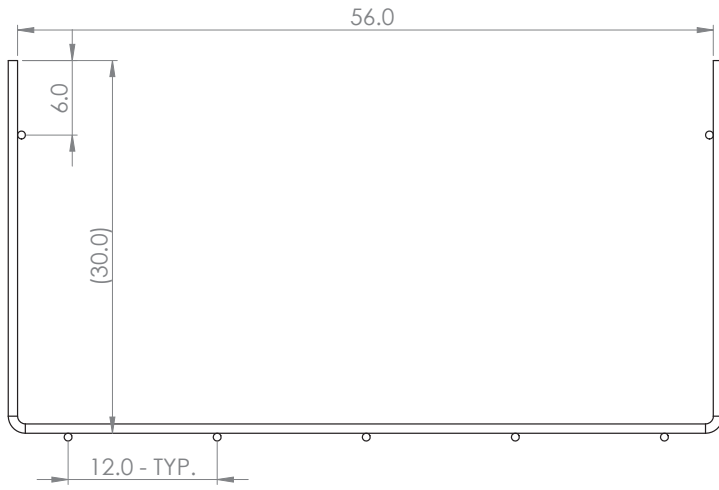
**PROJECT: 7-27 691254032**  
**STRUCTURE: 2-61617 1**  
**JOB NUMBER: 26-1617**

4

3

2

1



ITEM NO.	PART NUMBER	DESCRIPTION	QTY.
1	6SH	#6 Formed Rebar	4
2	#5_20.0	#5 Rebar	7



981 W. 7th Street  
 Beaver Dam, KY  
 42320  
 P 270-363-2238  
 F 270-363-2234  
 iCastinc.com

DIMENSIONS ARE IN INCHES  
 TOLERANCES:  
 FRACTIONAL ±  
 ANGULAR: MACH ± BEND ±  
 TWO PLACE DECIMAL ±  
 THREE PLACE DECIMAL ±

	NAME	DATE
DRAWN	xxx	
CHECKED		
ENG APPR.		
MFG APPR.		
Q.A.		
COMMENTS:		

**PROPRIETARY AND CONFIDENTIAL**  
 THE INFORMATION CONTAINED IN THIS DRAWING IS THE SOLE PROPERTY OF  
 INFRASTRUCTURE PRECAST INC. (iCast). ANY REPRODUCTION IN PART OR  
 AS A WHOLE WITHOUT THE WRITTEN PERMISSION OF iCast IS PROHIBITED.

FINISH  
 DO NOT SCALE DRAWING

SIZE	DWG. NO.	REV.
B	Short Wall	
SCALE: 1:10	WEIGHT:	SHEET 1 OF 1

4

3

2

1

**PROJECT: 7-27 691254032**  
**STRUCTURE: 2-61617 1**  
**JOB NUMBER: 26-1617**

**Job Number:**

26-1617

**Job Name:**

7-27 691254032

**Structure:**

EFX-60 21 PN Vault (1)

**Note:**

Nosing Kit To Be Shipped. See Chad Jarvis.