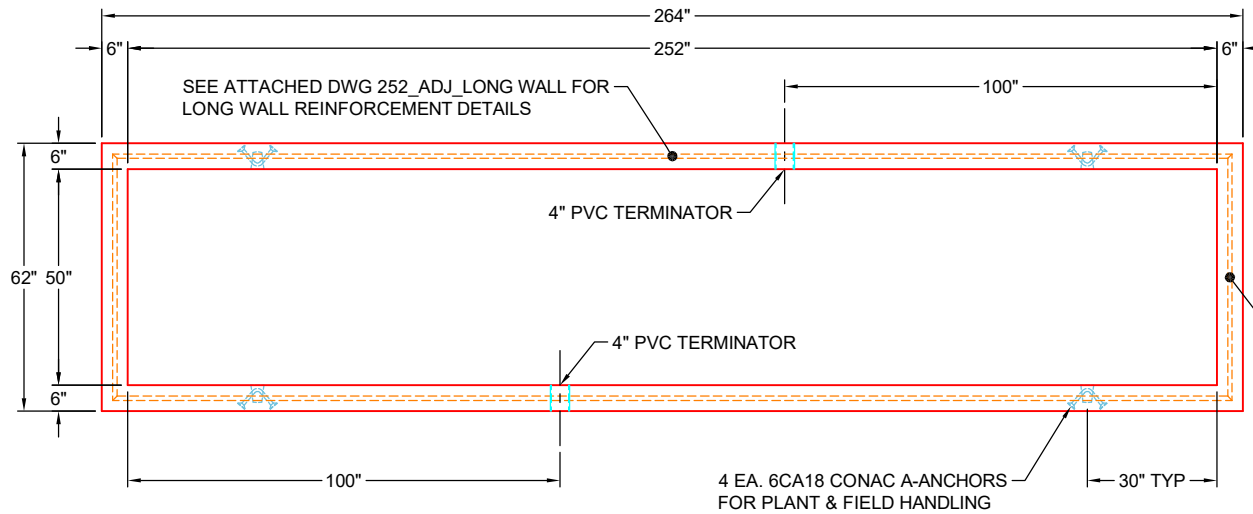
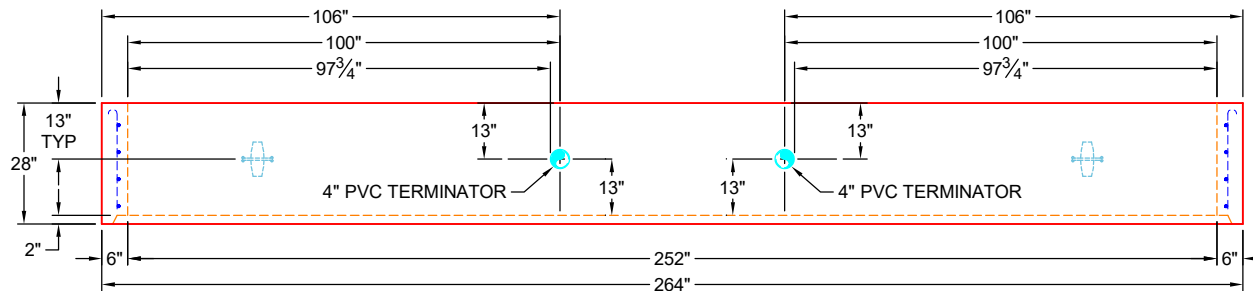


GENERAL NOTES:

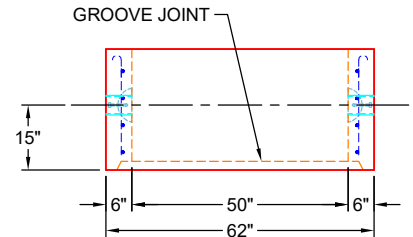
1. MANUFACTURED TO ASTM C-913 (LATEST REVISION)
2. CONCRETE: 5,000 PSI AT 28 DAYS
3. REINFORCEMENT - MIN. 1½" REBAR
CLEARANCE:
- LONG WALLS: PER ATTACHED DWG 252_ADJ_LONG WALL
- SHORT WALLS: PER ATTACHED DWG SHORT WALL
4. WEIGHTS: 9,178 LBS



**PLAN VIEW
(RIGHT SIDE UP)**



**FRONT VIEW
(RIGHT SIDE UP)**



**SIDE VIEW
(RIGHT SIDE UP)**

PRODUCTION WORK ORDER

PRODUCT I.D.: CVR

DESCRIPTION: 50" X 252" X 28" RISER



QUALITY CONTROL CHECKLIST

- ALL DIMENSIONS CORRECT.
- LIFTERS INSTALLED.
- HOLE LOCATION(S) CORRECT.
- REINFORCING CORRECT.
- SURFACE QUALITY ACCEPTABLE.
- EDGES CHAMFERED.
- GROOVE JOINT INSTALLED.

PRODUCT VIEW: UPSIDE DOWN

CUSTOMER: ENDESOL, INC.

PLANT: BEAVER DAM, KY

PROJECT: 1-26 691249488

WEIGHT: 9,178 LBS

STRUCTURE: 2-61615 2 (EFX-60 21 PN VAULT)

TOP SECTION JOINT: GROOVE

ORDER NO: 26-1615

BASE SECTION JOINT: N / A

PE: J.H. ROSS

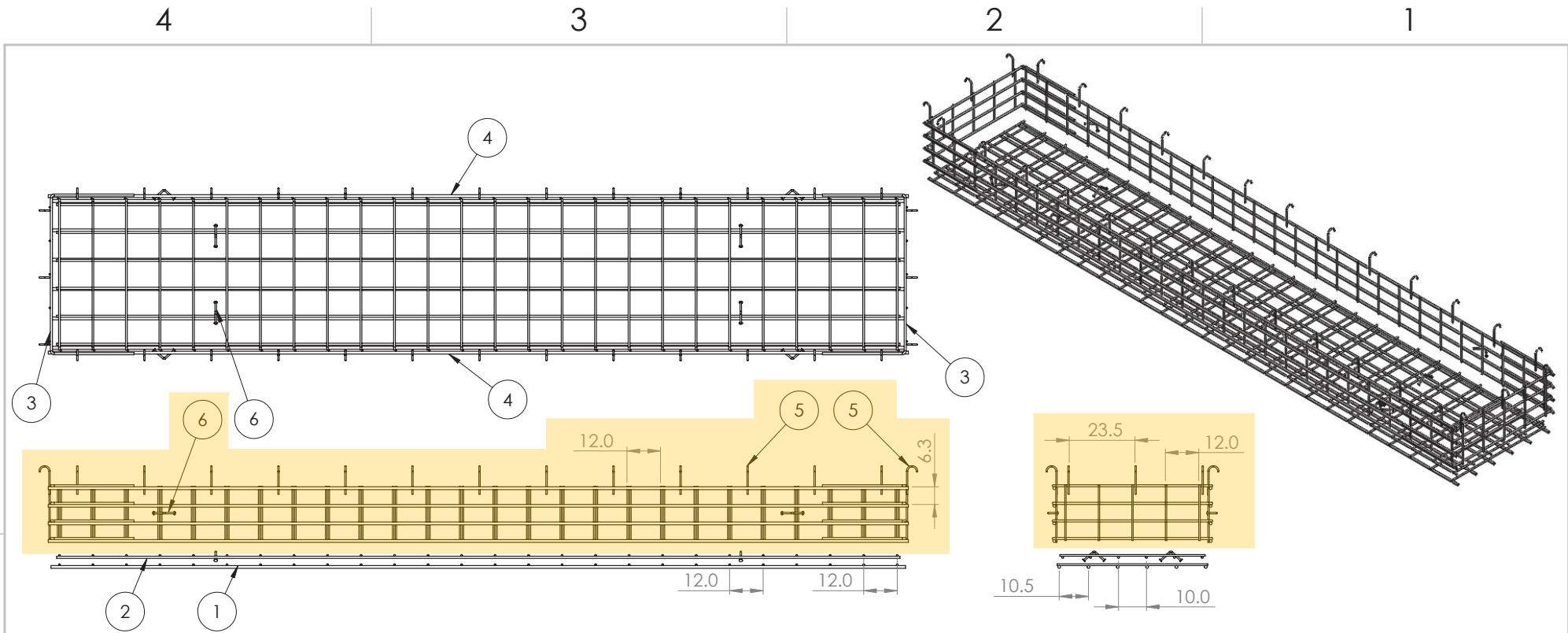
DRAWING: J.HORSLEY

QC CHECK INITIALS:

DATE: 04/24/26

SCALE: NTS

PG. 1 OF 1



- NOTES:
1. Rebar: #5, #6, #8 A614 Grade 60
 2. All Rebar to have 1.5" Cover Minimum

ITEM NO.	PART NUMBER	Qty.
1	252_Base_Bottom Mat	1
2	252_Base_Top Mat	1
3	Short Wall	2
4	252_ADJ_Long Wall	2
5	#4 O904J	32
6	6CA18	8

PROPRIETARY AND CONFIDENTIAL
 THE INFORMATION CONTAINED IN THIS DRAWING IS THE SOLE PROPERTY OF ENDESOL INC. ANY REPRODUCTION IN PART OR AS A WHOLE WITHOUT THE WRITTEN PERMISSION OF ENDESOL INC. IS PROHIBITED.

		UNLESS OTHERWISE SPECIFIED:	NAME	DATE	ENDESOL
		DIMENSIONS ARE IN INCHES	DRAWN	CMJ	
		TOLERANCES:	CHECKED	JHR	3-25-16
		FRACTIONAL 1/8"	ENG APPR.	XXXX	XXXX
		TWO PLACE DECIMAL .13	MFG APPR.	XXXX	XXXX
		THREE PLACE DECIMAL .125	Q.A.	XXXX	XXXX
		INTERPRET GEOMETRIC TOLERANCING PER:	COMMENTS:		
		MATERIAL	Rebar A614 G60		
		FINISH	MILL		
NEXT ASSY	USED ON	APPLICATION			
		DO NOT SCALE DRAWING			
		TITLE:			REV X1
		EFX-60 Adjustable Section Rebar Layout			
SIZE	DWG. NO.	WEIGHT:		SHEET 1 OF 1	
B	EFX-60 ADJ Rebar				

PROJECT: 1-26 69124988
STRUCTURE: 2-61615 2
JOB NUMBER: 26-1615

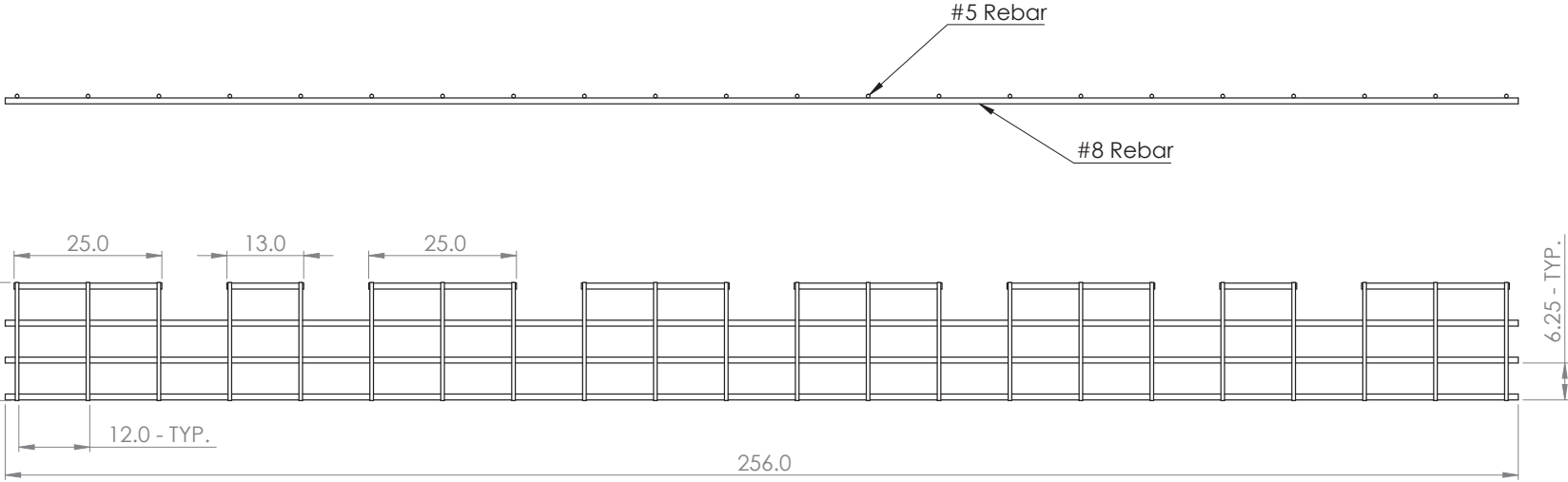
4

3

2

1

ITEM NO.	PART NUMBER	DESCRIPTION	QTY.
1	#8_256.0	#8 Rebar	3
2	#5_20.0	#5 Rebar	22
3	#8_25.0	#8 Rebar	6
4	#8_13.0	#8 Rebar	2



981 W. 7th Street
 Beaver Dam, KY
 42320
 P 270-363-2238
 F 270-363-2234
 iCastinc.com

DIMENSIONS ARE IN INCHES
 TOLERANCES:
 FRACTIONAL ±
 ANGULAR: MACH ± BEND ±
 DECIMAL ± 0.5"

MATERIAL

FINISH
 DO NOT SCALE DRAWING

	NAME	DATE
DRAWN	CMJ	8/3/20
CHECKED	JHR	8/3/20
ENG APPR.		
MFG APPR.		
Q.A.		
COMMENTS:		

PROPRIETARY AND CONFIDENTIAL
 THE INFORMATION CONTAINED IN THIS DRAWING IS THE SOLE PROPERTY OF
 INFRASTRUCTURE PRECAST INC. (iCast). ANY REPRODUCTION IN PART OR
 AS A WHOLE WITHOUT THE WRITTEN PERMISSION OF iCast IS PROHIBITED.

SIZE DWG. NO. REV.
B 252_ADJ_Long Wall
 SCALE: 1:50 WEIGHT: SHEET 1 OF 1

4

3

2

1

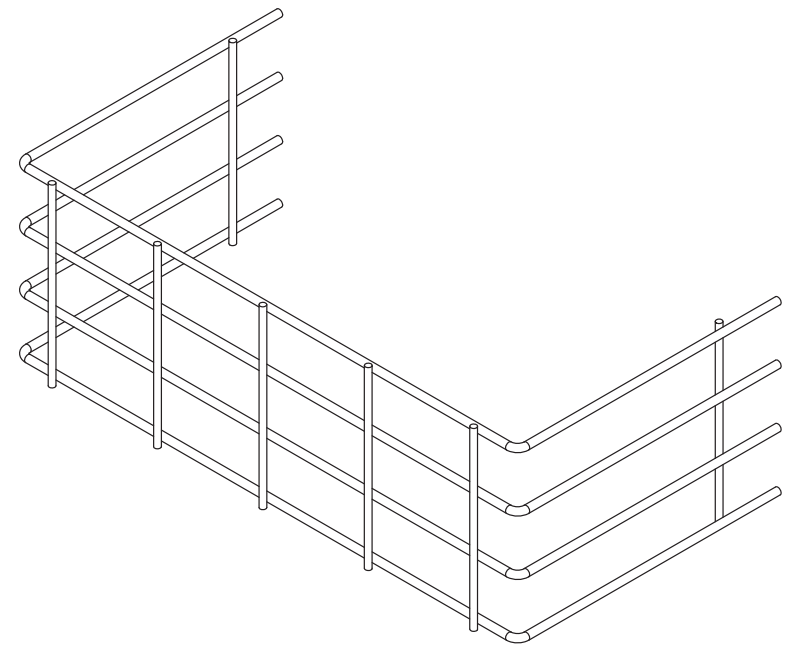
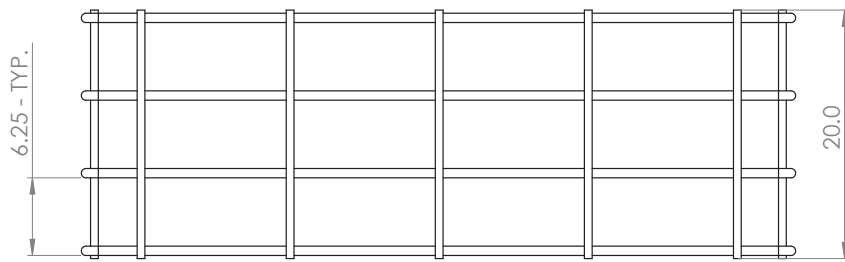
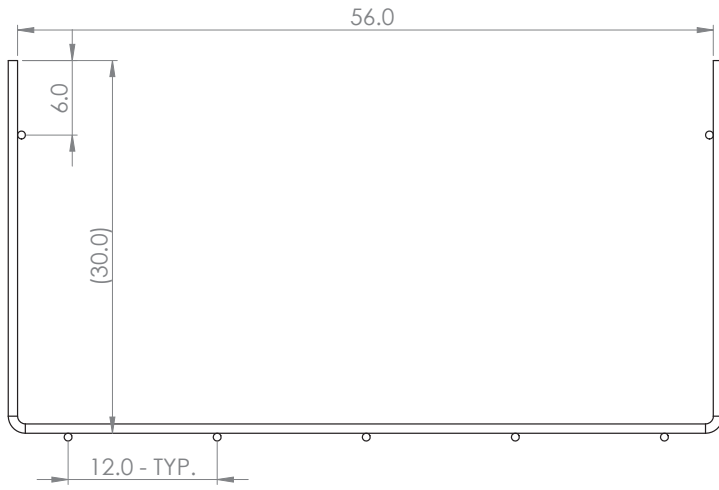
PROJECT: 1-26 69124988
STRUCTURE: 2-61615 2
JOB NUMBER: 26-1615

4

3

2

1



ITEM NO.	PART NUMBER	DESCRIPTION	QTY.
1	6SH	#6 Formed Rebar	4
2	#5_20.0	#5 Rebar	7



981 W. 7th Street
 Beaver Dam, KY
 42320
 P 270-363-2238
 F 270-363-2234
 iCastinc.com

DIMENSIONS ARE IN INCHES
 TOLERANCES:
 FRACTIONAL ±
 ANGULAR: MACH ± BEND ±
 TWO PLACE DECIMAL ±
 THREE PLACE DECIMAL ±

	NAME	DATE
DRAWN	xxx	
CHECKED		
ENG APPR.		
MFG APPR.		
Q.A.		
COMMENTS:		

PROPRIETARY AND CONFIDENTIAL
 THE INFORMATION CONTAINED IN THIS DRAWING IS THE SOLE PROPERTY OF
 INFRASTRUCTURE PRECAST INC. (iCast). ANY REPRODUCTION IN PART OR
 AS A WHOLE WITHOUT THE WRITTEN PERMISSION OF iCast IS PROHIBITED.

FINISH
 DO NOT SCALE DRAWING

SIZE	DWG. NO.	REV.
B	Short Wall	

4

3

2

1

PROJECT: 1-26 69124988
STRUCTURE: 2-61615 2
JOB NUMBER: 26-1615

Job Number:

26-1615

Job Name:

1-26 691249488

Structure:

EFX-60 21 PN Vault (2)

Note:

Nosing Kit To Be Shipped. See Chad Jarvis.