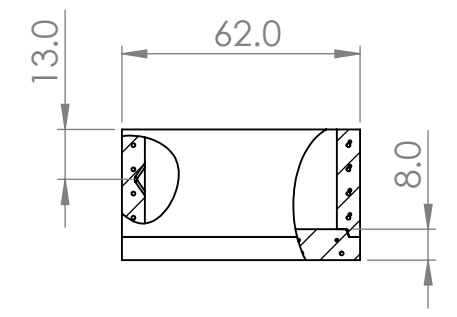
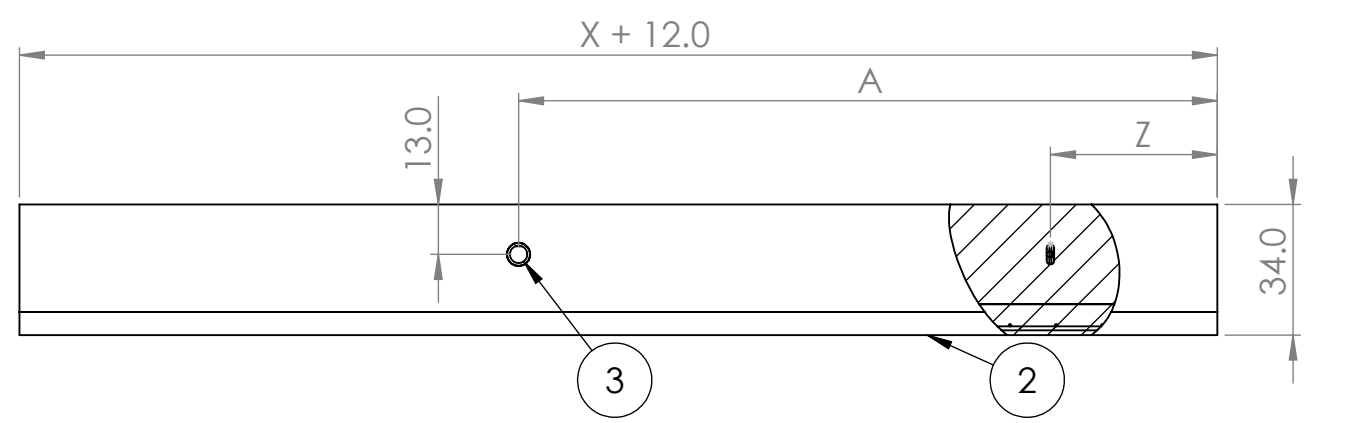
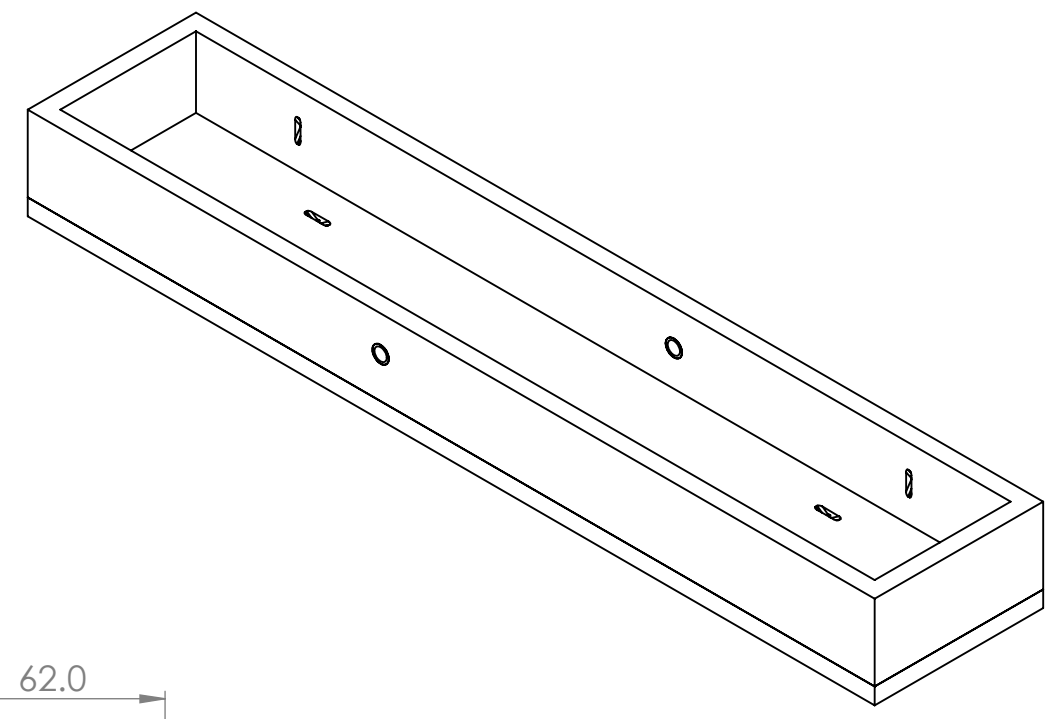
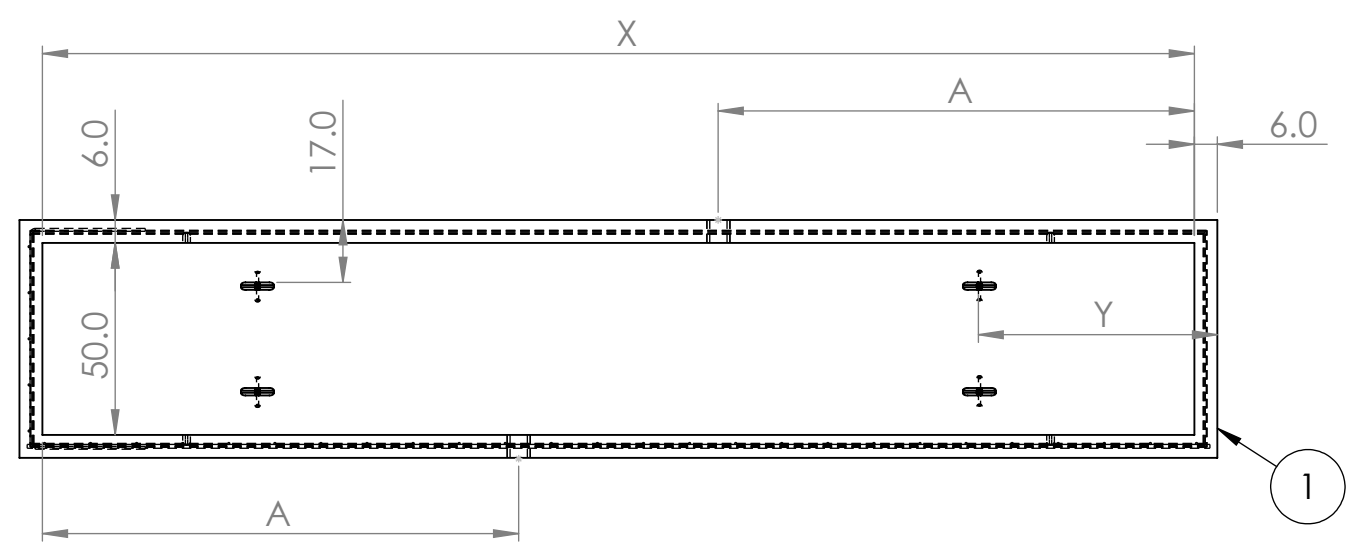


4

3

2

1



NOTES:

- 1. Concrete 5000 PSI Minimum
 - a. 650 LBS Cement
 - b. 3/4" Aggregate Size
 - c. 0.45 w/c Ratio
 - d. air content: 5%
- 2. Rebar: A614 Grade 60
- 3. Base Slab Lift Hook: 6CA18
- 4. Riser Section Lift Hook: 6CA18

	Product			
	16' PN	18' PN	21' PN	25' PN
X	192"	216"	252"	300"
Y	62"	62"	62"	62"
Z	23"	27"	36"	45"
A	51"	82"	100"	124"
Base Weight	8,757 lbs.	9,855 lbs.	11,502 lbs.	13,010 lbs.
Riser Weight	7,334 lbs.	8,056 lbs.	9,178 lbs.	10,180 lbs.

ITEM NO.	PART NUMBER	QTY.
1	RISER SECTION	1
2	BASE SLAB	1
3	4 PVC Terminator	2

PROPRIETARY AND CONFIDENTIAL
 THE INFORMATION CONTAINED IN THIS DRAWING IS THE SOLE PROPERTY OF ENDESOL INC. ANY REPRODUCTION IN PART OR AS A WHOLE WITHOUT THE WRITTEN PERMISSION OF ENDESOL INC. IS PROHIBITED.

		UNLESS OTHERWISE SPECIFIED:		NAME	DATE
		DIMENSIONS ARE IN INCHES TOLERANCES: FRACTIONAL ± 1/8"		DRAWN	CMJ 1-15-16
		TWO PLACE DECIMAL ±.13 THREE PLACE DECIMAL ±.125		CHECKED	JHR 1-15-16
		INTERPRET GEOMETRIC TOLERANCING PER:		ENG APPR.	xxxx xxxx
		MATERIAL Concrete		MFG APPR.	xxxx xxxx
		FINISH TBD		Q.A.	xxxx xxxx
NEXT ASSY	USED ON	COMMENTS:			
APPLICATION		DO NOT SCALE DRAWING			

ENDESOL

TITLE: **EFX-60 Adjustable Specifications**

SIZE	DWG. NO.	REV
B	EFX-60 ADJ	X

SCALE: 1:50 WEIGHT: SHEET 1 OF 1

4

3

2

1

B

B

A

A