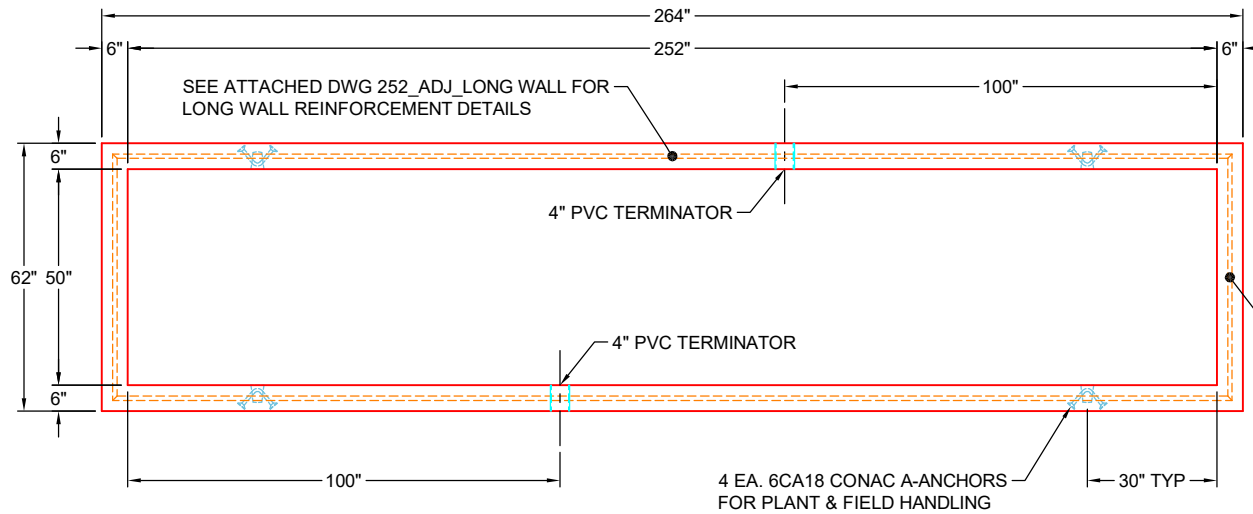
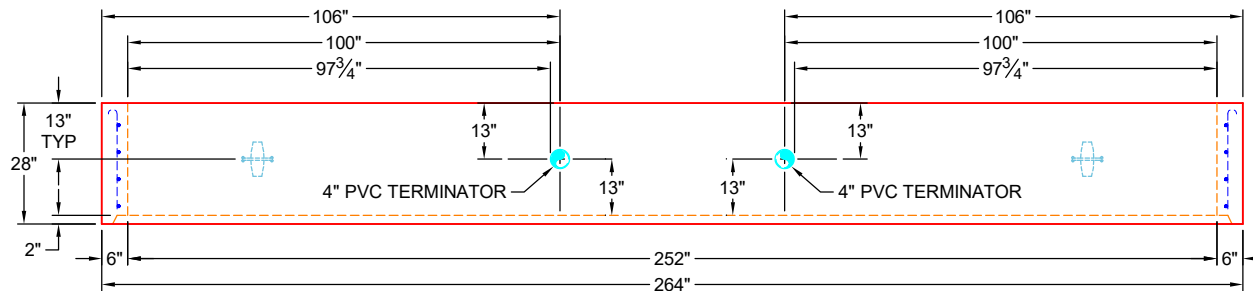


**GENERAL NOTES:**

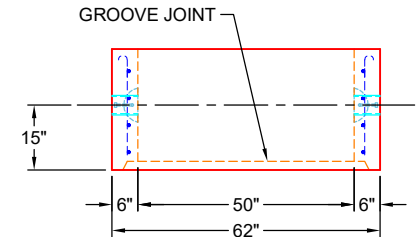
1. MANUFACTURED TO ASTM C-913 (LATEST REVISION)
2. CONCRETE: 5,000 PSI AT 28 DAYS
3. REINFORCEMENT - MIN. 1½" REBAR  
CLEARANCE:  
- LONG WALLS: PER ATTACHED DWG 252\_ADJ\_LONG WALL  
- SHORT WALLS: PER ATTACHED DWG SHORT WALL
4. WEIGHTS: 9,178 LBS



**PLAN VIEW  
(RIGHT SIDE UP)**



**FRONT VIEW  
(RIGHT SIDE UP)**



**SIDE VIEW  
(RIGHT SIDE UP)**

**PRODUCTION WORK ORDER**

PRODUCT I.D.: CVR

DESCRIPTION: 50" X 252" X 28" RISER



**QUALITY CONTROL CHECKLIST**

- ALL DIMENSIONS CORRECT.
- LIFTERS INSTALLED.
- HOLE LOCATION(S) CORRECT.
- REINFORCING CORRECT.
- SURFACE QUALITY ACCEPTABLE.
- EDGES CHAMFERED.
- GROOVE JOINT INSTALLED.

PRODUCT VIEW: UPSIDE DOWN

CUSTOMER: ENDESOL, INC.

PLANT: BEAVER DAM, KY

PROJECT: 1-26 691249488

WEIGHT: 9,178 LBS

STRUCTURE: 2-61615 1 (EFX-60 21 PN VAULT)

TOP SECTION JOINT: GROOVE

ORDER NO: 26-1615

BASE SECTION JOINT: N / A

PE: J.H. ROSS

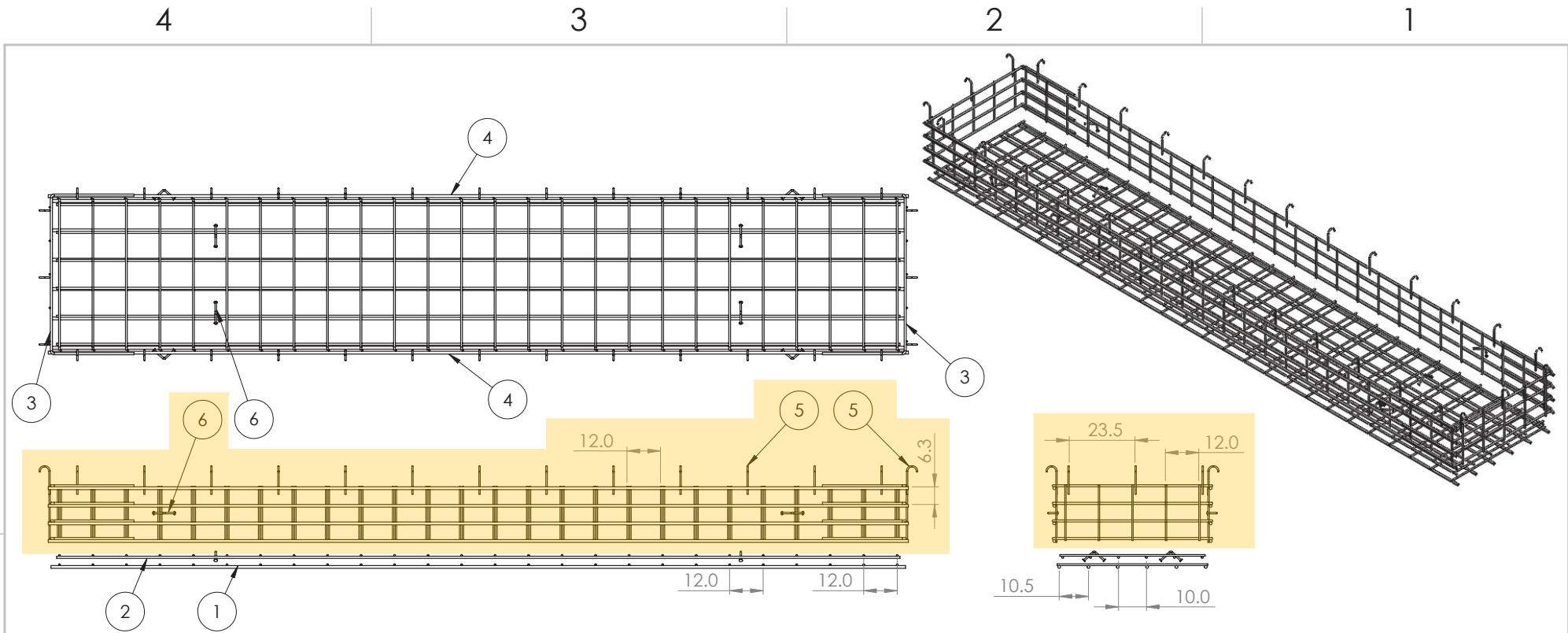
DRAWING: J.HORSLEY

QC CHECK INITIALS:

DATE: 04/24/26

SCALE: NTS

PG. 1 OF 1



- NOTES:
1. Rebar: #5, #6, #8 A614 Grade 60
  2. All Rebar to have 1.5" Cover Minimum

ITEM NO.	PART NUMBER	Qty.
1	252_Base_Bottom Mat	1
2	252_Base_Top Mat	1
3	Short Wall	2
4	252_ADJ_Long Wall	2
5	#4 O904J	32
6	6CA18	8

**PROPRIETARY AND CONFIDENTIAL**  
 THE INFORMATION CONTAINED IN THIS DRAWING IS THE SOLE PROPERTY OF ENDESOL INC. ANY REPRODUCTION IN PART OR AS A WHOLE WITHOUT THE WRITTEN PERMISSION OF ENDESOL INC. IS PROHIBITED.

		UNLESS OTHERWISE SPECIFIED:	NAME	DATE	<b>ENDESOL</b>
		DIMENSIONS ARE IN INCHES	DRAWN	CMJ	
		TOLERANCES:	CHECKED	JHR	3-25-16
		FRACTIONAL 1/8"	ENG APPR.	XXXX	XXXX
		TWO PLACE DECIMAL .13	MFG APPR.	XXXX	XXXX
		THREE PLACE DECIMAL .125	Q.A.	XXXX	XXXX
		INTERPRET GEOMETRIC TOLERANCING PER:	COMMENTS:		
		MATERIAL	Rebar A614 G60		
		FINISH	MILL		
NEXT ASSY	USED ON	APPLICATION	DO NOT SCALE DRAWING		
		TITLE:		EFX-60 Adjustable Section Rebar Layout	
SIZE	DWG. NO.	REV			
<b>B</b>	EFX-60 ADJ Rebar	<b>X1</b>			
SCALE: 1:50		WEIGHT:	SHEET 1 OF 1		

**PROJECT: 1-26 69124988**  
**STRUCTURE: 2-61615 1**  
**JOB NUMBER: 26-1615**

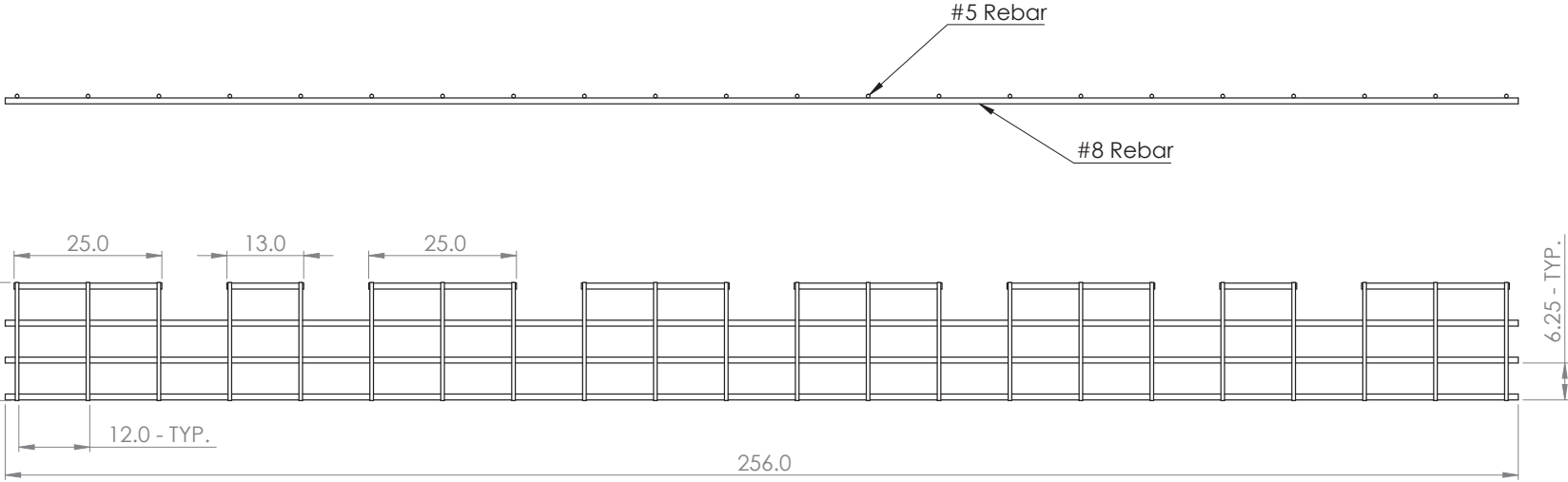
4

3

2

1

ITEM NO.	PART NUMBER	DESCRIPTION	QTY.
1	#8_256.0	#8 Rebar	3
2	#5_20.0	#5 Rebar	22
3	#8_25.0	#8 Rebar	6
4	#8_13.0	#8 Rebar	2



981 W. 7th Street  
 Beaver Dam, KY  
 42320  
 P 270-363-2238  
 F 270-363-2234  
 iCastinc.com

DIMENSIONS ARE IN INCHES  
 TOLERANCES:  
 FRACTIONAL ±  
 ANGULAR: MATCH ± BEND ±  
 DECIMAL ± 0.5"

MATERIAL

FINISH

DO NOT SCALE DRAWING

	NAME	DATE
DRAWN	CMJ	8/3/20
CHECKED	JHR	8/3/20
ENG APPR.		
MFG APPR.		
Q.A.		
COMMENTS:		

**PROPRIETARY AND CONFIDENTIAL**  
 THE INFORMATION CONTAINED IN THIS DRAWING IS THE SOLE PROPERTY OF  
 INFRASTRUCTURE PRECAST INC. (iCast). ANY REPRODUCTION IN PART OR  
 AS A WHOLE WITHOUT THE WRITTEN PERMISSION OF iCast IS PROHIBITED.

SIZE DWG. NO. REV.  
**B** 252\_ADJ\_Long Wall  
 SCALE: 1:50 WEIGHT: SHEET 1 OF 1

4

3

2

1

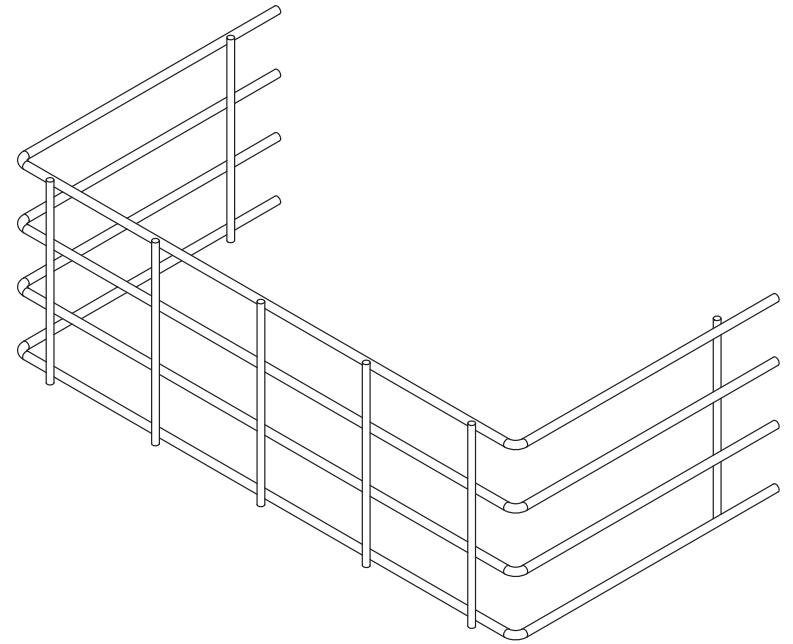
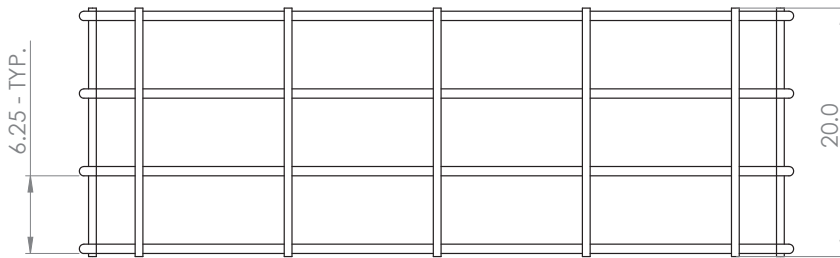
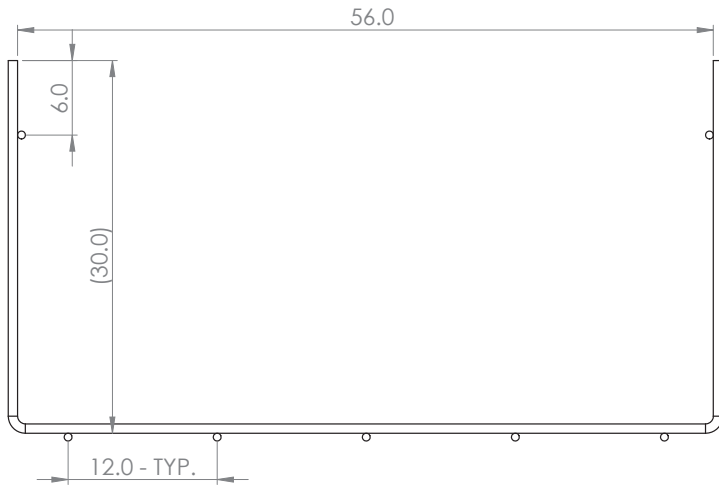
**PROJECT: 1-26 69124988**  
**STRUCTURE: 2-61615 1**  
**JOB NUMBER: 26-1615**

4


3

2

1



ITEM NO.	PART NUMBER	DESCRIPTION	QTY.
1	6SH	#6 Formed Rebar	4
2	#5_20.0	#5 Rebar	7



**infrastructure precast, inc.**

981 W. 7th Street  
Beaver Dam, KY  
42320  
P 270-363-2238  
F 270-363-2234  
iCastinc.com

DIMENSIONS ARE IN INCHES  
TOLERANCES:  
FRACTIONAL ±  
ANGULAR: MACH ± BEND ±  
TWO PLACE DECIMAL ±  
THREE PLACE DECIMAL ±

MATERIAL

FINISH

DO NOT SCALE DRAWING

	NAME	DATE
DRAWN	xxx	
CHECKED		
ENG APPR.		
MFG APPR.		
Q.A.		
COMMENTS:		

SIZE DWG. NO. **B** Short Wall REV.

SCALE: 1:10 WEIGHT: SHEET 1 OF 1

4

3

2

1

PROJECT: 1-26 69124988  
 STRUCTURE: 2-61615 1  
 JOB NUMBER: 26-1615

**Job Number:**

26-1615

**Job Name:**

1-26 691249488

**Structure:**

EFX-60 21 PN Vault (1)

**Note:**

Nosing Kit To Be Shipped. See Chad Jarvis.