

Job Name: 26-1613 Barkley Regional Airport
Job Location: West Paducah, KY
Contractor: Jim Smith Contracting Co, LLC

PC: J. Jarvis
 TECH: S. Felletter
 Plant: Beaver Dam



Structure ID: **D1-5 DBI4**
 Spec: KYTC
 Type: DBI TYPE 4
 Size: 36" x 48"

Rim: 398.89'
 Invert: 394.06'
 Rim to Invert: 4.83'

Sump: 2"
 Floor (Top): 393.893'
 Floor Height: 8"

Floor (Bot): 393.227'
 Overall Height: 5.583'
 Slack: 0.96"

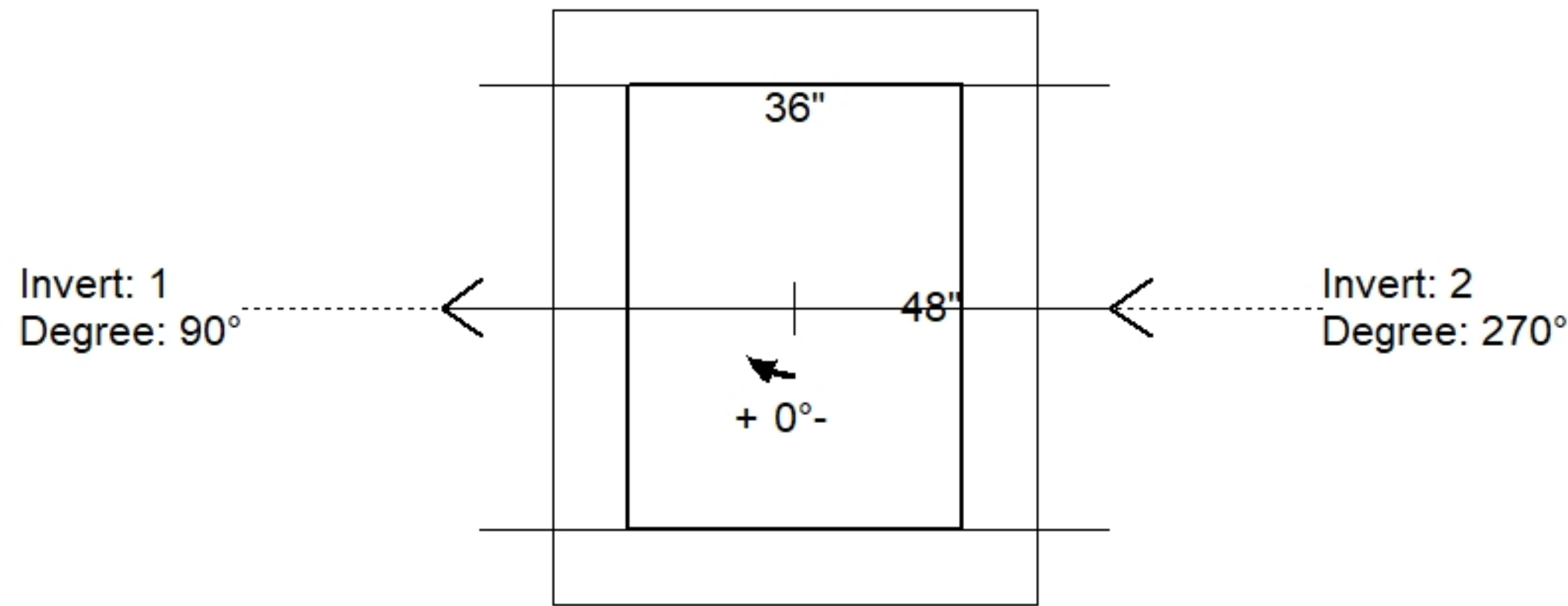
Structure Notes:

- KYTC DBI TYPE 4 / ASTM C913 SPECIFICATIONS.
 - CONCRETE = 4,000 PSI AT 28 DAYS.
 - NO STEPS & NO INVERT CHANNEL.
 - CASTING BY ICAST (HOE KY-410 SET).
 - STUB #5 BARS 20" OUT TOP OF WALLS (SPA@12"C/C)
- REINFORCING PER ASTM A615 (GRADE 60).
 - WALLS (As .31) #5 BARS AT 12" C.C.E.W.
 - FLOOR (As .31) #5 BARS AT 12" C.C.E.W.

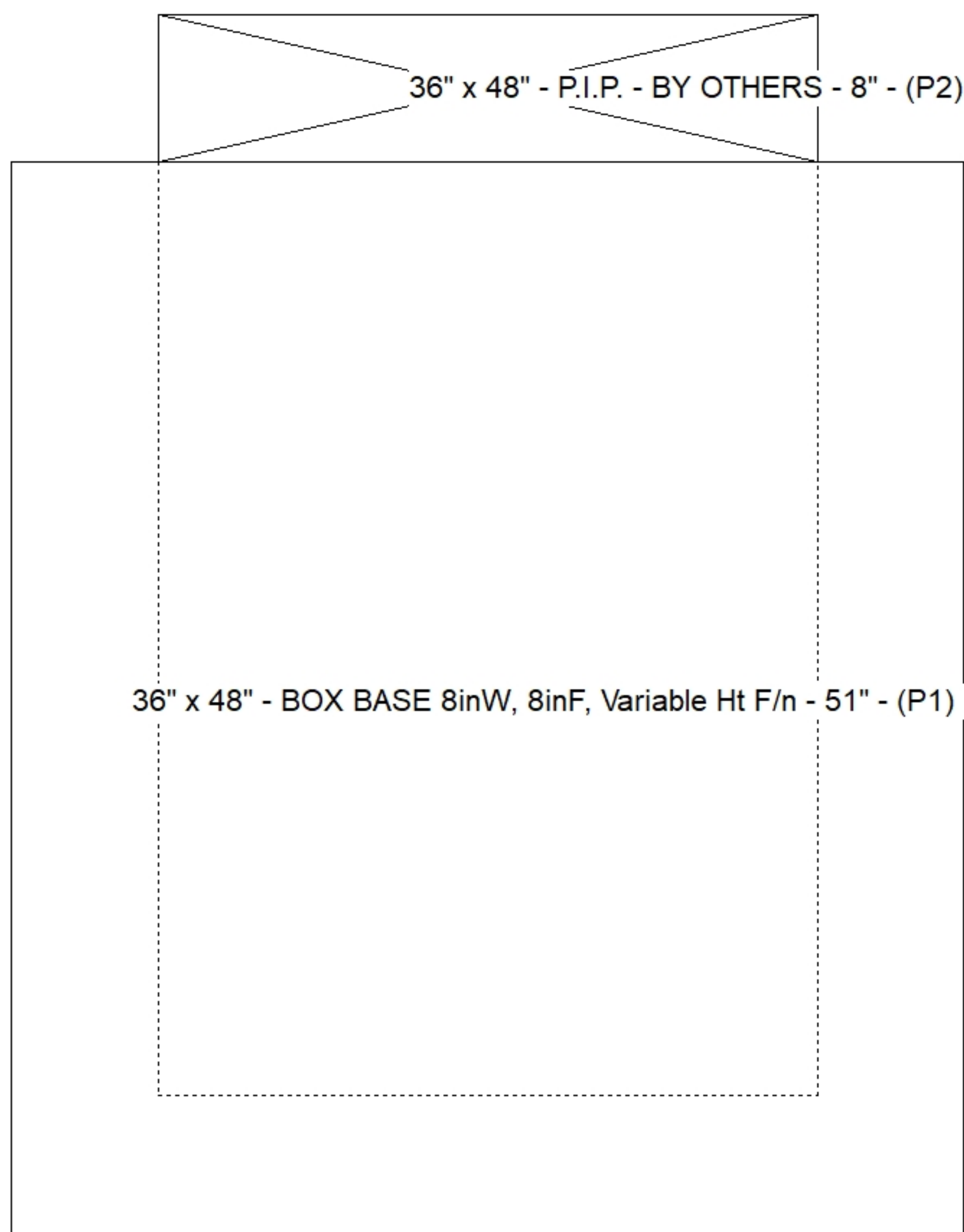
STRUCTURE SUMMARY:

P2) 36" x 48" - P.I.P. - BY OTHERS - 8"	0 lb
P1) 36" x 48" - BOX BASE 8inW, 8inF, Variable Ht F/n - 51"	7259 lb
1) 36" x 48" - Conseal CS-102 1.00"	0 lb
2) Hole - 48"	0 lb

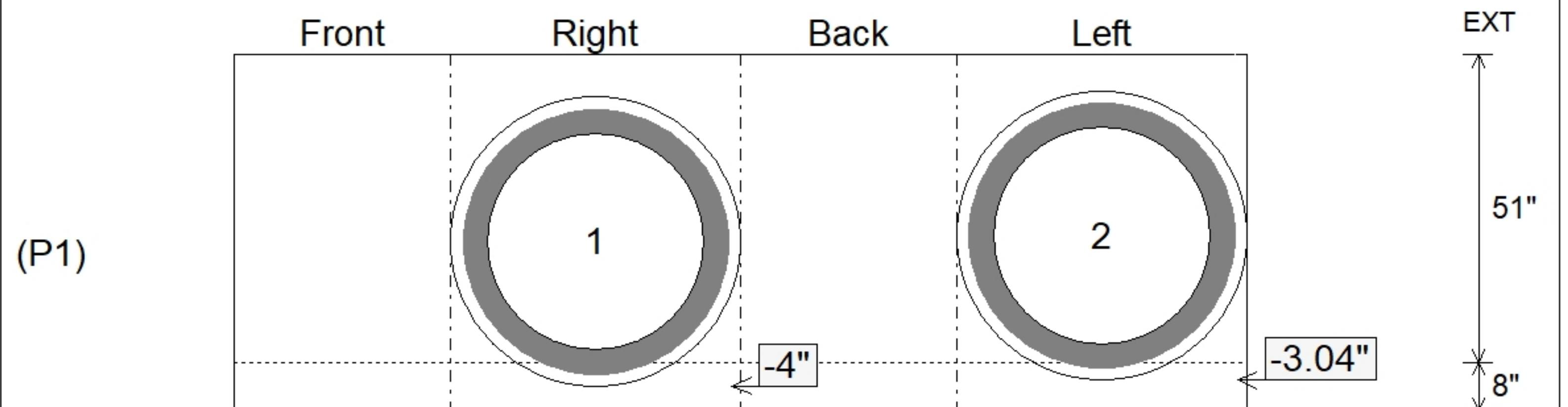
Structure Total:	7259 lb



Position	Elev	Angle	Pipe	Pipe OD	Hole	Connector	Up ()	Ref
Rim	398.89'							
Reducer								
Invert 1	394.06'	90°	36" RCP B WALL	44"	48"	Hole 48	-4"	P1
Invert 2	394.14'	270°	36" RCP B WALL	44"	48"	Hole 48	-3.04"	P1
Invert 3								
Invert 4								
Invert 5								
Invert 6								
Invert 7								
Invert 8								



Default - Interior Dimensions



Submittal Drawing
 4/7/2026 11:05:10 AM

SUBMITTAL
 APPROVED BY: