

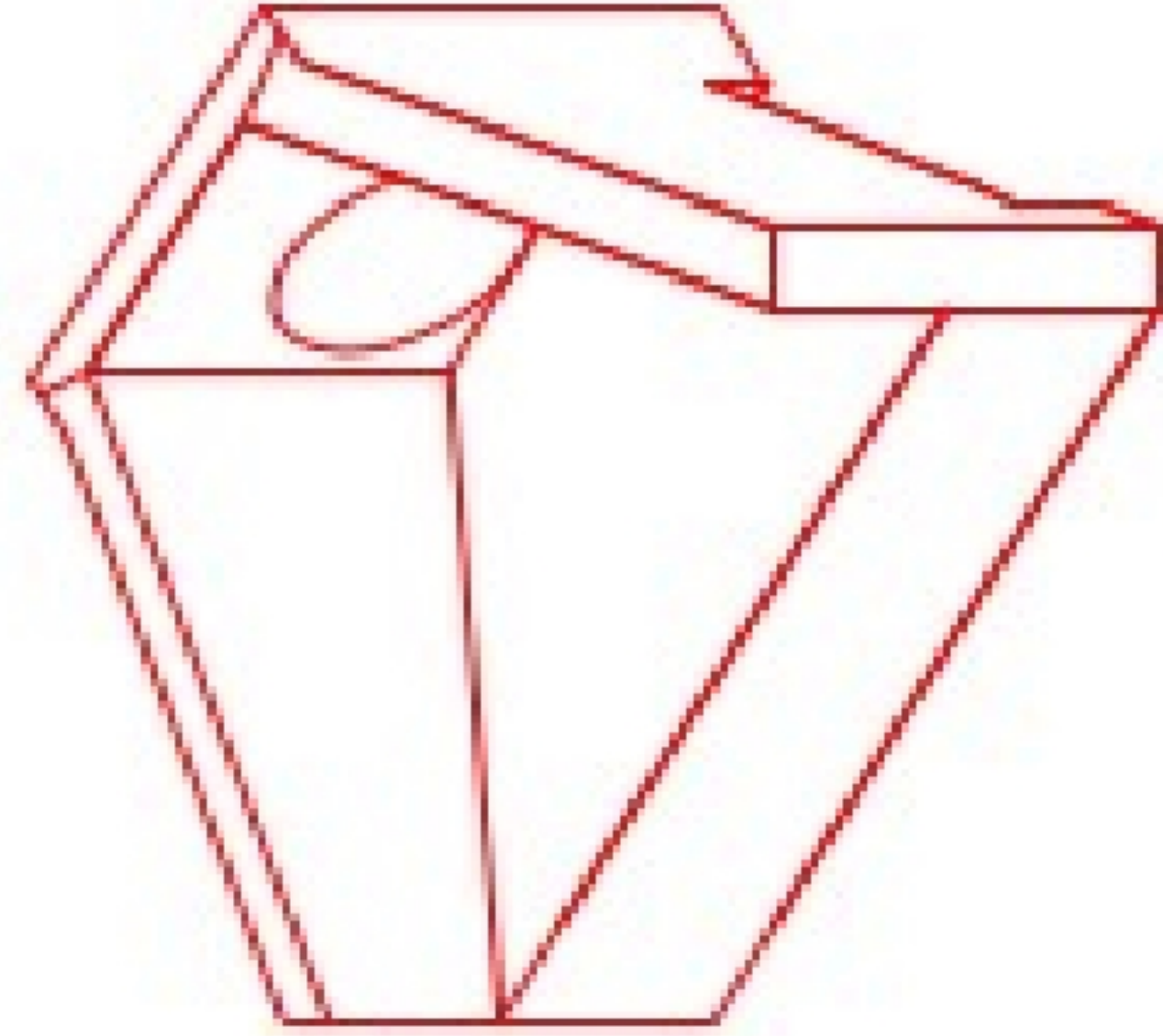


**Structure ID: 2 HW**

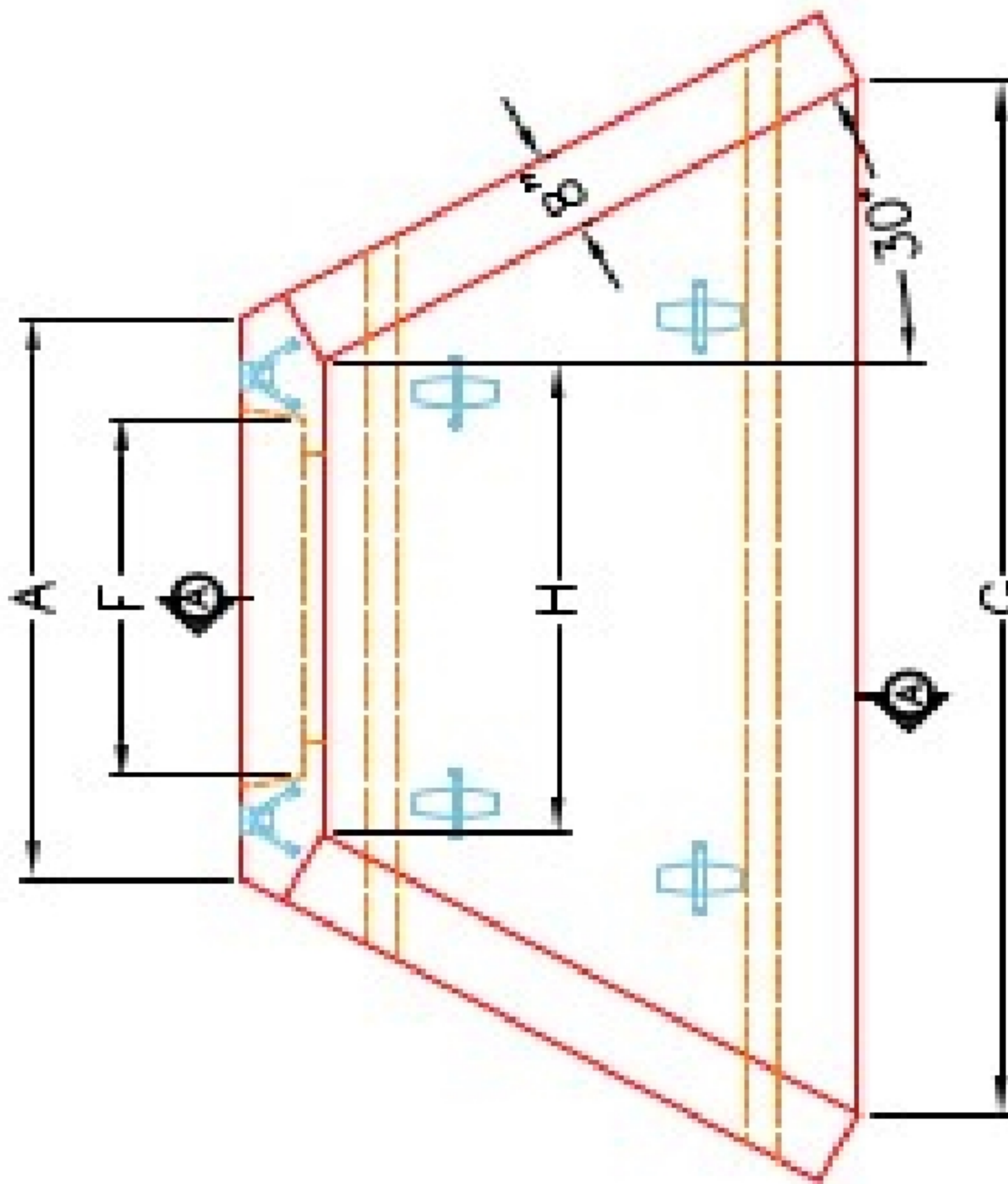
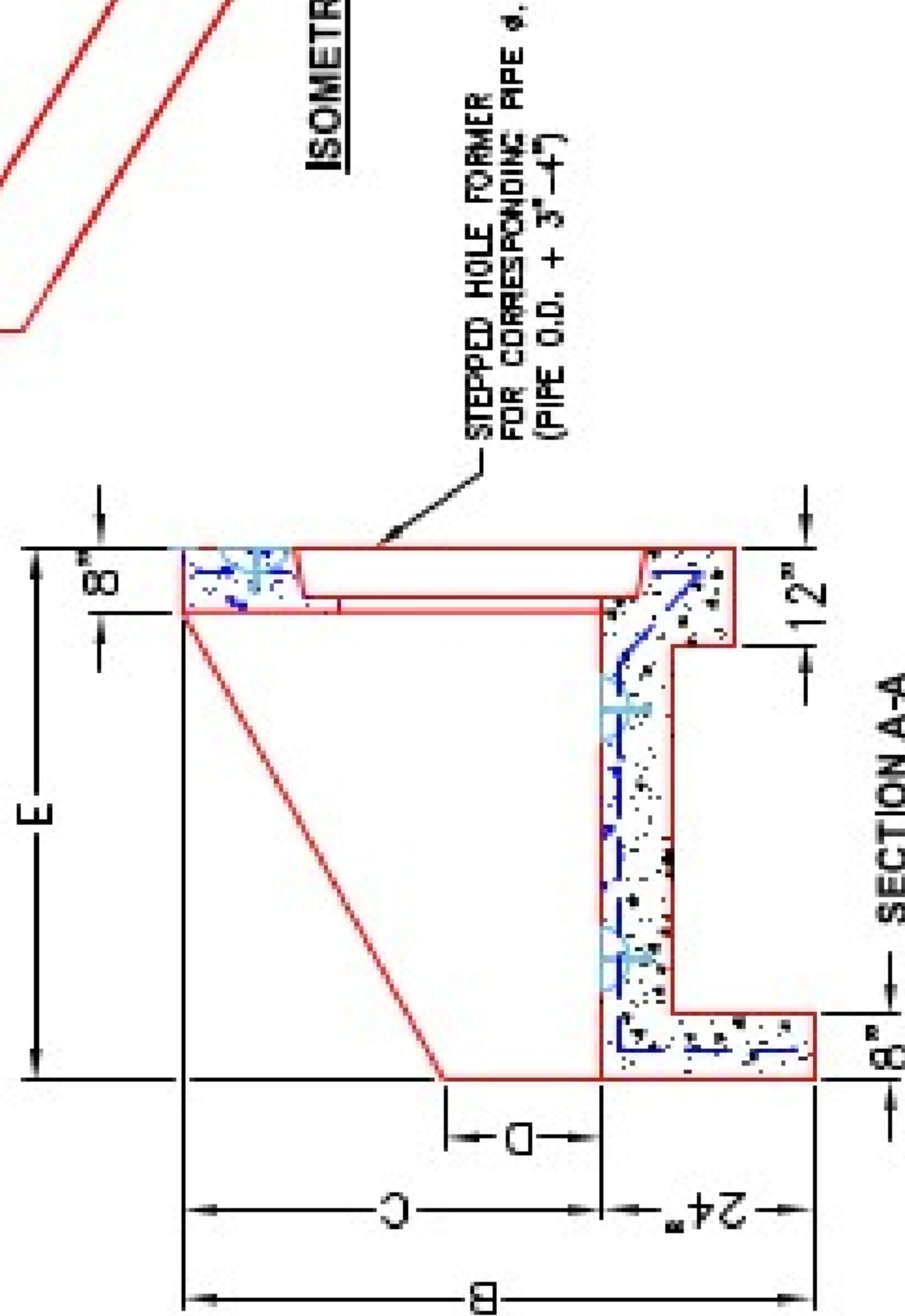
**P1 HWPC36**

**36" - PIPE CULVERT HEADWALL F/F**

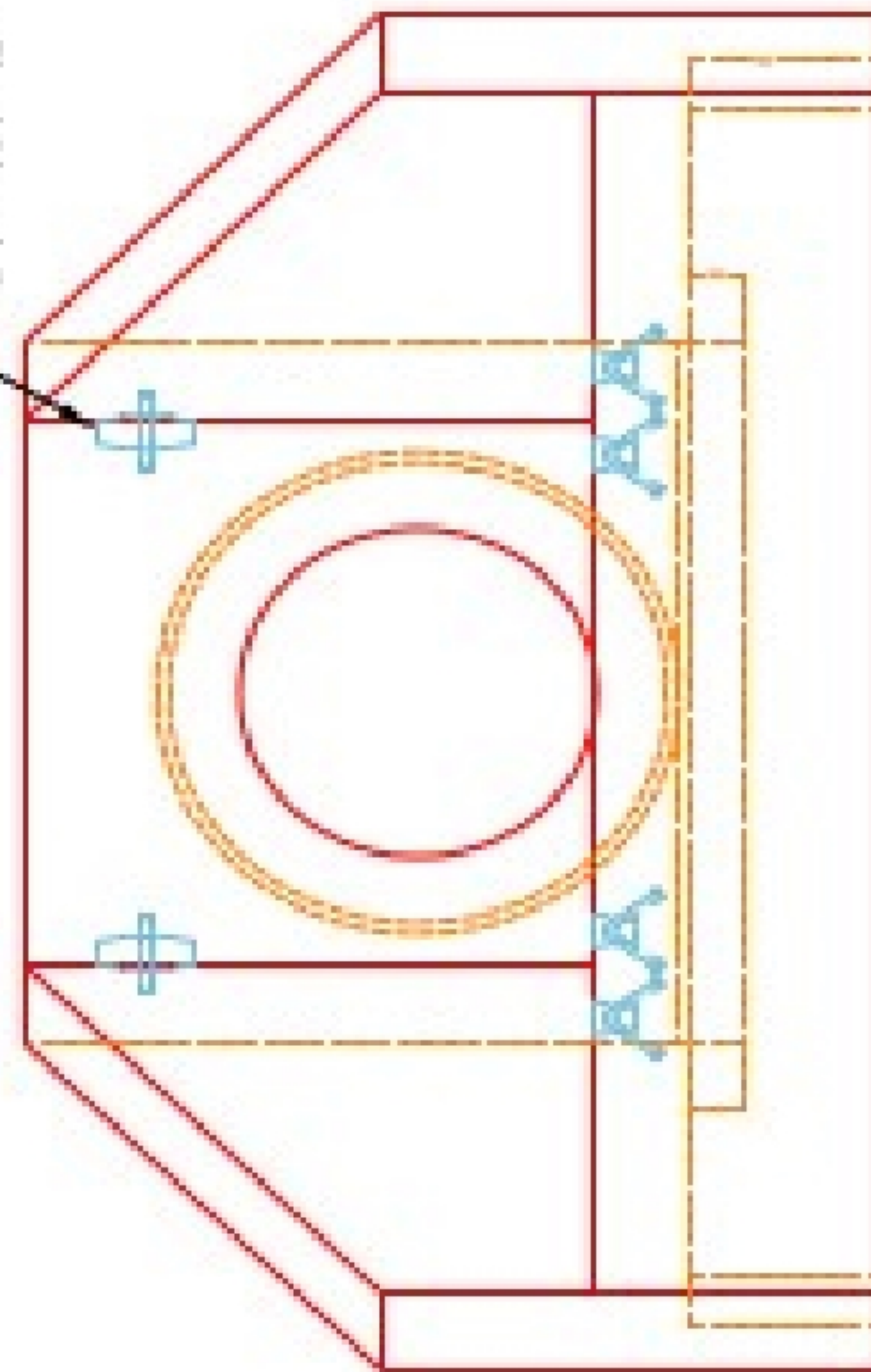
DIMENSIONS									
PIPE Ø	A	B	C	D	E	F	G	H	WEIGHT
36"	4'-0"	6'-0"	6'-0"	1'-0"	5'-0"	1'-0"	1'-0"	3'-0"	8,820 lbs.
36"	4'-0"	6'-0"	6'-0"	1'-0"	5'-0"	1'-0"	1'-0"	3'-0"	8,820 lbs.
48"	6'-0"	6'-0"	5'-0"	2'-0"	6'-0"	1'-0"	1'-0"	4'-0"	13,230 lbs.
48"	6'-0"	6'-0"	5'-0"	2'-0"	6'-0"	1'-0"	1'-0"	4'-0"	13,230 lbs.
54"	7'-0"	7'-0"	6'-0"	2'-0"	7'-0"	1'-0"	1'-0"	6'-0"	18,422 lbs.
60"	7'-0"	7'-0"	6'-0"	2'-0"	7'-0"	1'-0"	1'-0"	6'-0"	18,422 lbs.



ISOMETRIC VIEW



"A-ANCHOR" LIFTING SYSTEM FOR PLANT & FIELD HANDLING.



NOTES:

1. CONCRETE: KYTC APPROVED.
2. REINFORCING: #5 BAR @ 12" C/C E.W.-GRADE 60, (WITH 2" CONCRETE COVER MINIMUM)
3. REINFORCING BARS TO BE TACK WELDED OR TIED.
4. PIPE AND LIFTING ANCHOR POCKETS TO BE GROUTED WITH KYTC APPROVED NON-SHRINK GROUT.
5. DRAWING TO BE USED IN CONJUNCTION WITH KYTC STD. DRAWING RDH-110-02, RDH-210-03 AND THE STANDARD SPECIFICATIONS FOR ROAD AND BRIDGE CONSTRUCTION.
6. 1/4" CHAMFER ON ALL EXPOSED EDGES.
7. PREFORMED STEPPED HOLE SIZED AS PER O.D. OF PIPE + 3"-4".

APPROVED FOR DESIGN ONLY

APPROVED

AS PER SPECIFICATION 108.03  
 1/20/2021 9:50 am

INSTRUCTION



INFRASTRUCTURE PRECAST, INC.  
 601 WEST FTHST, BEAVER DAM, KY, 40009  
 PHONE: 502-338-2222, FAX: 502-338-7228

KYTC 30" - 60" PIPE CULVERT HEADWALL

DRAWING NO: KYTC PC-118 DATE: 12-14-20  
 DESIGNED BY: J.H. RABALA, P.E. DRAWN BY: M. REHARZ  
 WEB: WWW.IPCAST.COM SCALE: N/A